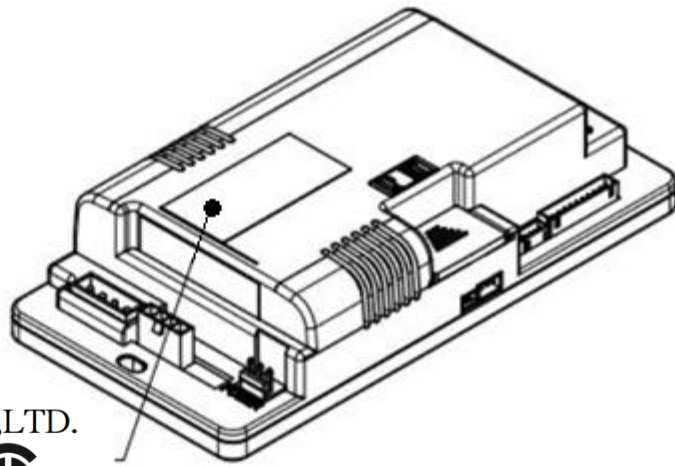


# Label Location



**Label**

GRAND MATE CO.,LTD.

GM9K2A-C-120VAC

BURNER CONTROL SYSTEM

AC INPUT: 120VAC / 60Hz

ENVIRONMENT: - 4 to 176°F



C 212213 US  
FCC ID: UMPGM9K2  
IC: 8474A-GM9K2



S/N: U9K2AC00A02A02-191100001

MADE IN TAIWAN

