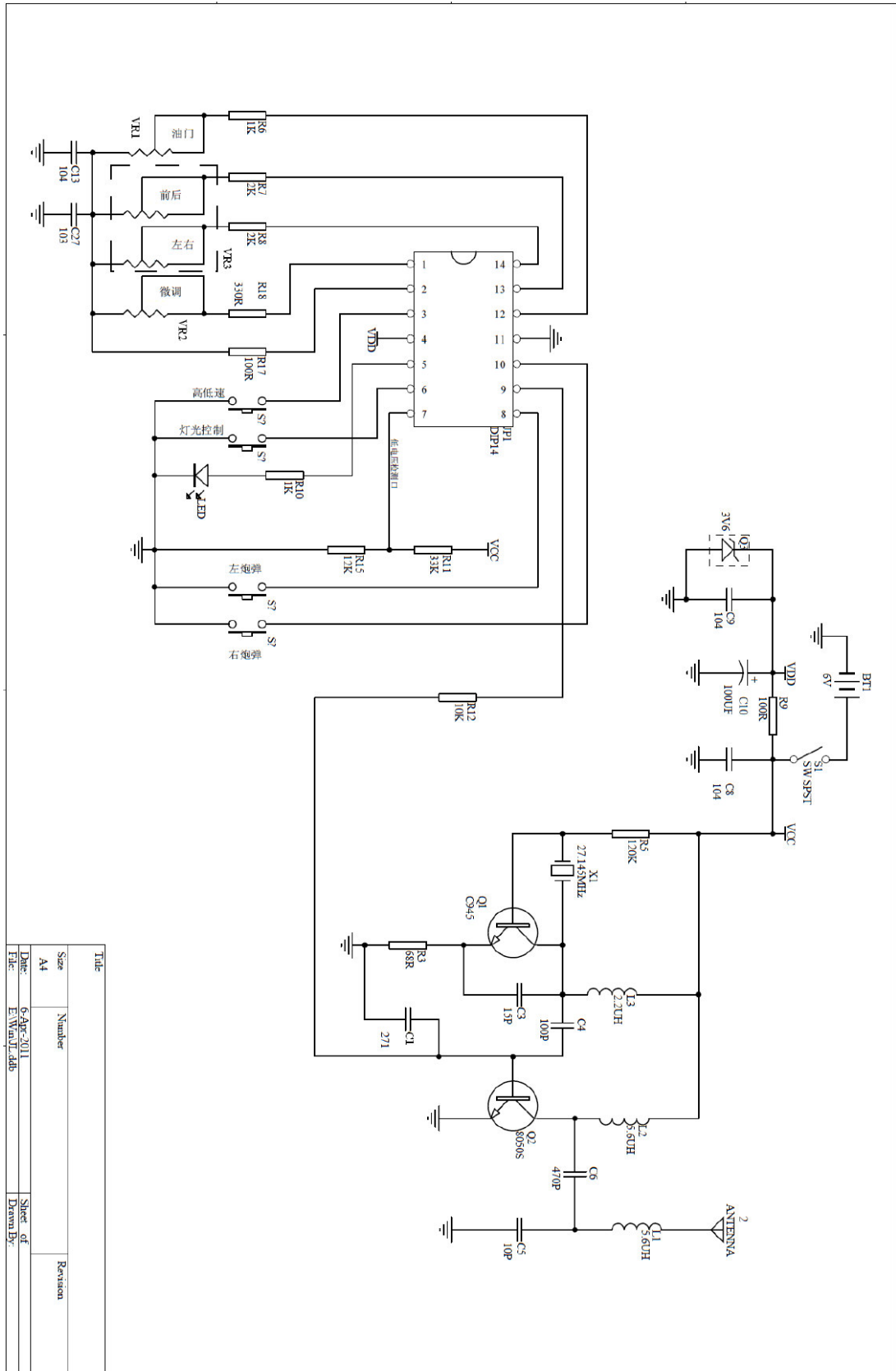


Circuit diagram



Title	Number	Revision
Size	A4	
Date:	6-Apr-2011	Sheet of
File:	E:\Wan\JL.dwg	Drawn By: