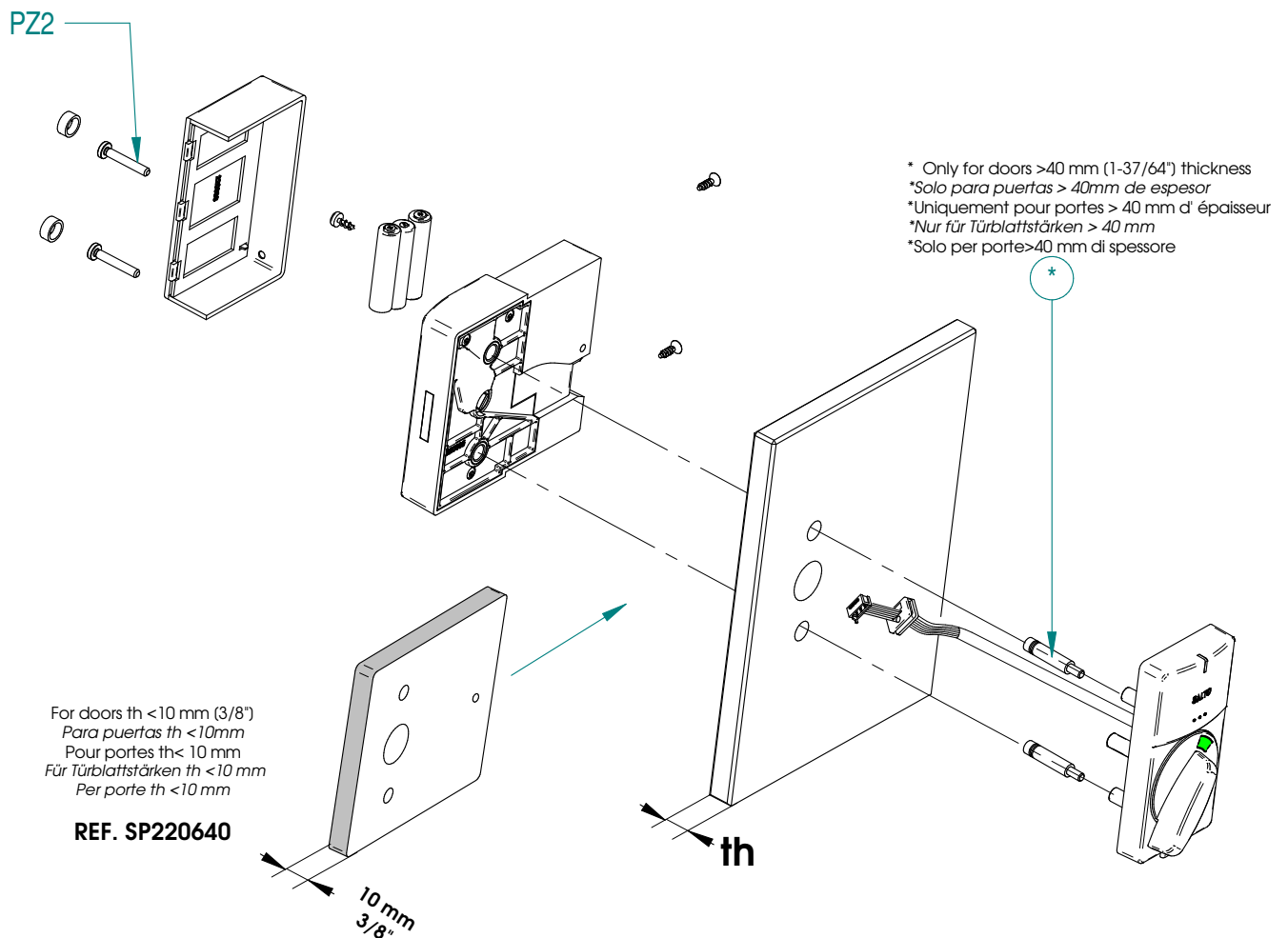
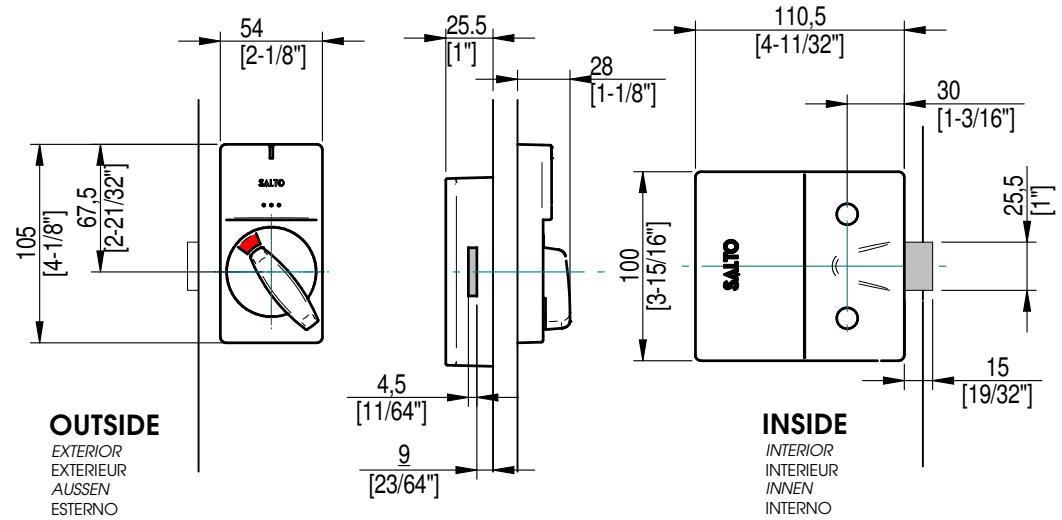
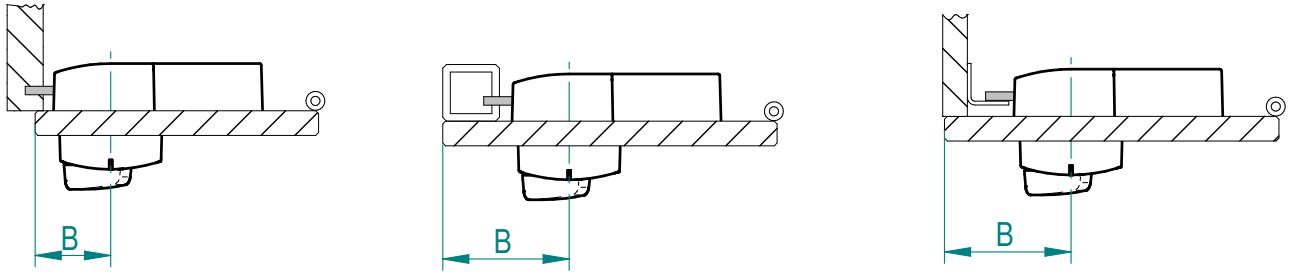


Installation guide XS4-Locker

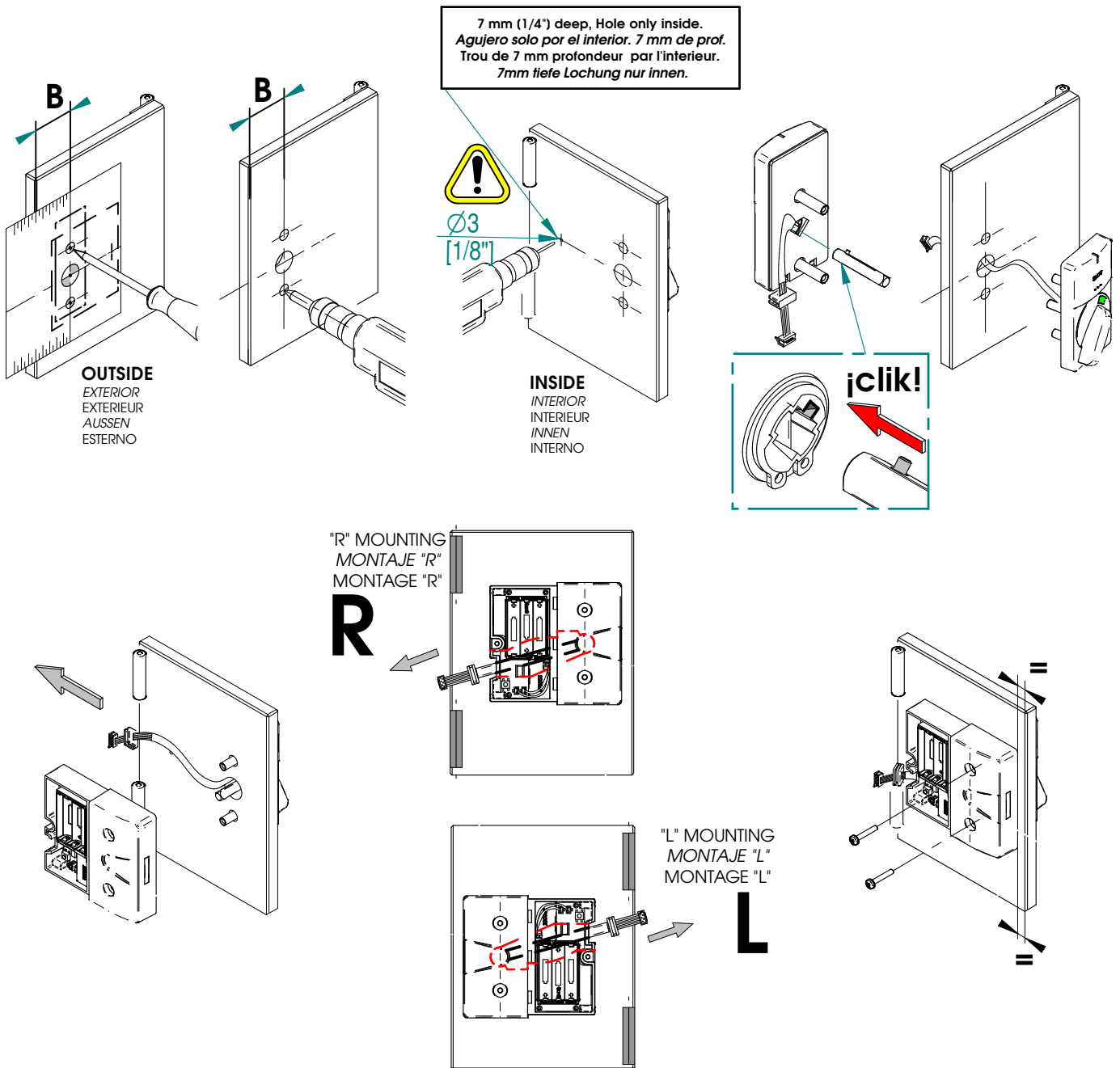
- Eng Installation guide
- E Guía de instalación
- F Guide d'installation
- D Montageanleitung
- I Guida all'installazione



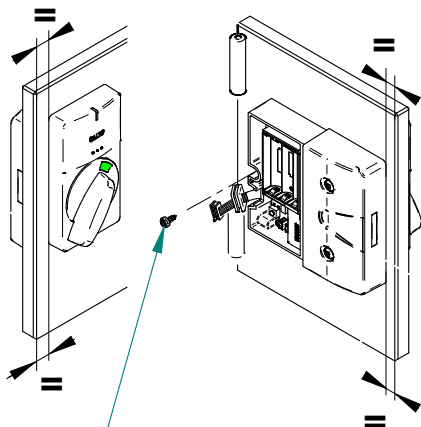
Installation guide XS4-Locker



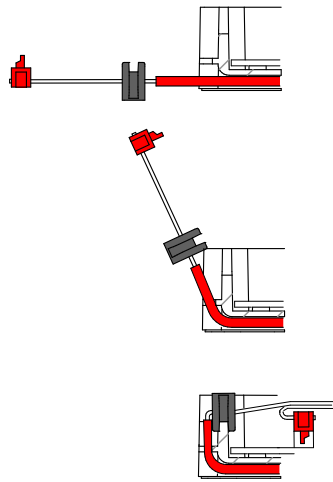
- (Eng) The dimension B will depend on the door or strike type the locker lock is going to be installed on.
- (E) La cota B dependera en cada caso del tipo de puerta o cerradero donde se instale la cerradura de taquilla.
- (F) La mesure B dependra dans chaque cas du type de porte ou gâche où va s'installer la serrure vestiaire.
- (D) Maß B ist abhängig von Tür-oder Schließblechart, an der das Schrank-/Kabinenschloss installiert wird.



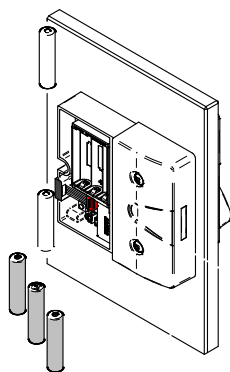
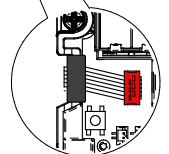
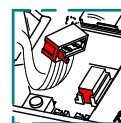
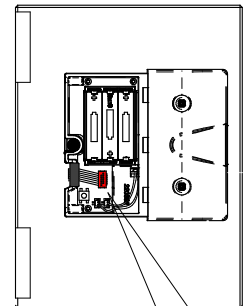
Installation guide XS4-Locker



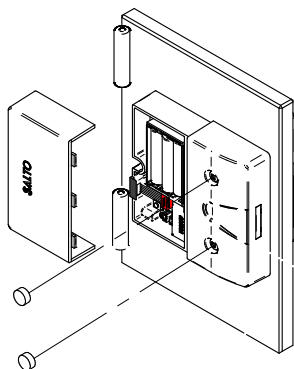
! Fasten with screw to keep it aligned.
Fijar el tornillo para mantener el alineamiento.
Fixer la vis pour assurer l'alignement.
Schraube fixieren, um Ausrichtung beizubehalten.
Fissare la vite per tenela allineata.



-Caution !
-Atención
-Achtung
-Attention
-Attenzione



Screw driver
Torx T15 TAMPER



(Eng)

**AT THIS POINT DO NOT
CLOSE THE DOOR
PROGRAM THE LOCK FIRST**

(E)

**NO CIERRE LA PUERTA.
PROGRAME LA CERRADURA**

(D)

**TÜRE NICHT SCHLIESSEN.
ZUERST SCHLOSS
PROGRAMMIEREN**

(F)

**NE FERMEZ PAS LA PORTE.
PROGRAMMEZ LA SERRURE
AVANT**

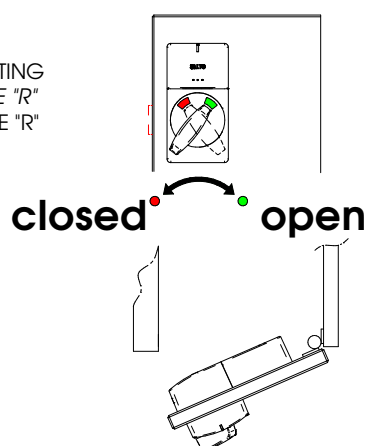
(I)

**PRIMA DI CHIUDERE LA
PORTA, PROGRAMMARE LA
SERRATURA**

follow user manual

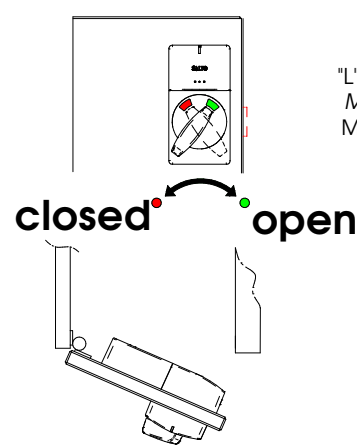
R

"R" MOUNTING
MONTAJE "R"
MONTAGE "R"



"L" MOUNTING
MONTAJE "L"
MONTAGE "L"

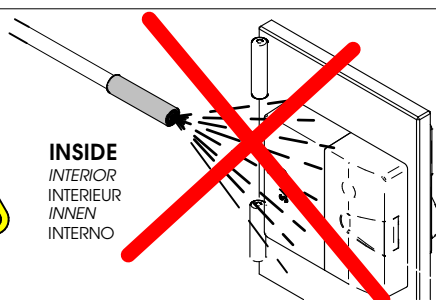
L

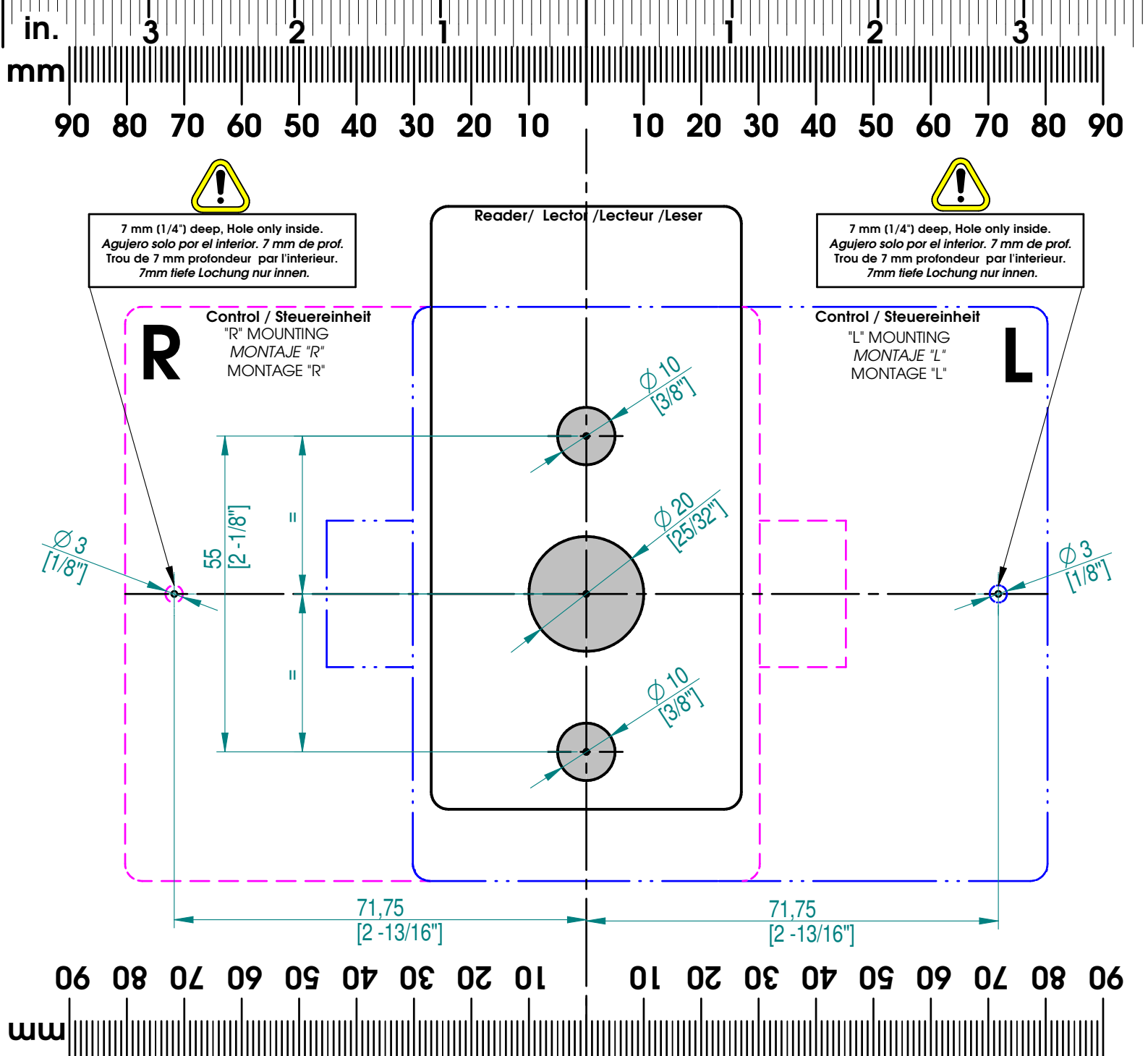


-Caution !
-Atención
-Achtung
-Attention
-Attenzione



INSIDE
INTERIOR
INTERIEUR
INNEN
INTERNO





PRODUCTS DESCRIPTION

PRODUCT		TECHNOLOGY			SOFTWARE			
COMMERCIAL NAME	MODEL	RFID 13.56MHz Output max. power	BLUETOOTH SMART 2400-2483.5 MHz Output max. power	IEEE802.15.4 2400-2483.5 MHz Output max. power	CONTROL	MOTOR CIRCUIT	BLUETOOTH MODULE(S)	RF2MODULE
XS4 Locker E1011	LH0	+25 dBm			0110			
	L09	+20 dBm			0165			
	LOB	+20 dBm	+8 dBm		0165		0136	
	LOJ	+20 dBm	+8 dBm		0166		0136	

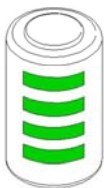
EU COMPLIANCE STATEMENT

- EN Hereby, SALTO Systems S.L. (Arkotz Kalea (Pol. Lanbarren), 9 – 20180 Oiartzun– Spain), declares that this access control equipment is in compliance with the essential requirements and other relevant provisions of Directive 2014/53/EU (RED) and 2011/65/EU (RoHS). You will be able to find a copy of the original declaration of conformity at the following Internet address: <http://www.saltosystems.com/certificate>
- ES Por medio de la presente SALTO Systems S.L. (Arkotz Kalea (Pol. Lanbarren), 9 – 20180 Oiartzun– Spain) declara que este equipo de control de accesos cumple con los requisitos esenciales y cualesquiera otras disposiciones aplicables o exigibles de la Directiva 2014/53/UE (RED) y 2011/65/UE (RoHS). Podrá encontrar una copia de la declaración de conformidad original en la siguiente dirección de internet: <http://www.saltosystems.com/certificate>
- FR Par la présente SALTO Systems S.L. (Arkotz Kalea (Pol. Lanbarren), 9 – 20180 Oiartzun– Spain) déclare que l'appareil équipement pour le contrôle d'accès est conforme aux exigences essentielles et aux autres dispositions pertinentes de la directive 2014/53/UE (RED) et 2011/65/UE (RoHS). Vous pouvez télécharger une copie de la déclaration de conformité originale à travers l'adresse suivante: <http://www.saltosystems.com/certificate>
- DE Hiermit erklärt SALTO Systems S.L. (Arkotz Kalea (Pol. Lanbarren), 9-20180 Oiartzun-Spain) dass sich das Gerät Zutrittskontrollgeräte im Übereinstimmung mit den grundlegenden Anforderungen und den übrigen einschlägigen Bestimmungen der Richtlinie 2014/53/EU (RED) befindet und 2011/65/EU (RoHS). Eine Kopie der originalen Konformitätserklärung finden Sie auf der folgenden Internetseite: <http://www.saltosystems.com/certificate>
- NL Hierbij verklaart SALTO Systems S.L. (Arkotz Kalea (Pol. Lanbarren), 9 – 20180 Oiartzun– Spain) dat het toestel toegangscontroleapparatuur in overeenstemming is met de essentiële eisen en de andere relevante bepalingen van richtlijn 2014/53/EU (RED) en 2011/65/EU (RoHS). U kunt een kopie van de originele verklaring van overeenstemming vinden op het volgende internetadres: <http://www.saltosystems.com/certificate>
- PT A SALTO Systems S.L. declara que este equipamento de controlo de accesos está conforme os requisitos essenciais e outras disposições da Diretiva 2014/53/UE (RED) e 2011/65/EU (RoHS). Poderá encontrar uma cópia da declaração de conformidade original na seguinte direção de internet: <http://www.saltosystems.com/certificate>

ELECTRICAL WARNINGS

Caution: Risk of explosion if battery is replaced by an incorrect type. Dispose of used batteries according to the instructions.

Recommended batteries:



- Duracell Plus Power **AAA** (MN2400)
- Duracell Ultra Power **AAA** (MX2400)
- Varta Industrial **AAA** (04003)
- Varta High Energy **AAA** (04903)
- Varta Max Tech **AAA** (MN2400)
- Duracell Plus Power **AA** (MN1500)
- Duracell Ultra Power **AAA** (MX1500)
- Varta Industrial **AA** (04006)
- Varta High Energy **AA** (04906)
- Varta Max Tech **AA** (MN1500)
- Duracell Ultra **CR2** Lithium (DLCR2)
- Panasonic **CR2** Lithium
- Panasonic **CR2** Lithium Industrial

Distance between this device and human body must be higher than 20 cm.

MECHANICAL WARNINGS

In order to confirm the correct operation of this electronic device, SALTO recommends using it in combination with a lock destined for that use (door mass, frequency of use, fire door, etc) and that is in good operational conditions. Polished finishes are strongly recommended in seaside environments for a better performance and durability. The environmental conditions mentioned in the data sheets are always referred to non-condensation situations. The Biocote and IA finishes are painted and sharp objects such as rings or metallic key rings or other metallic objects should be avoided during any cleaning process. The SALTO product should be treated with care during the installation process to avoid any aggressive contact that may damage the unit. It may be necessary to loosen the trims mounting during installation. Do not bring the device into contact with oil, paints or acids. Do not paint the door with the mortise lock or electronic device already mounted on the door. **CLEANING THE ELECTRONIC DEVICE:** a damp cloth with mild soapy water can be used. **Never use abrasive soaps or sprays.** For best performance, stainless steel should be cleaned regularly. Note that when the door is closed without the lock having been already programmed, the lock will automatically lock and can only be opened with a Portable Programming Device (PPD). If you have questions or doubts on this, please contact your authorized SALTO supplier.

LEGAL WARNINGS

The user shall be responsible for the correct use and maintenance of the access control equipment according to the instructions herein. SALTO shall not be responsible for any defect, malfunction, loss or damage, whether direct or indirect, caused by or arisen from any improper installation or utilization of the equipment or which contravenes, transgresses or infringes in any manner the abovementioned instructions. SALTO's liability concerning the equipment is limited to the warranty provided. The warranty does not cover product failures due to repairs, modifications or product manipulations performed in the access control equipment or in the inner electromechanical structure by anyone other than authorized SALTO dealers or personnel.



FCC COMPLIANCE STATEMENT

This device complies with Part 15 of the FCC Rules. Operation is subject to the following two conditions: (1) this device may not cause harmful interference, and (2) this device must accept any interference received, including interference that may cause undesired operation. Changes or modifications not expressly approved by the party responsible for compliance could void the user's authority to operate the equipment.

Note: This equipment has been tested and found to comply with the limits for a Class B digital device, pursuant to part 15 of the FCC Rules. These limits are designed to provide reasonable protection against harmful interference in a residential installation. This equipment generates, uses, and can radiate radio frequency energy and, if not installed and used in accordance with the instructions may cause harmful interference to radio communications. However, there is no guarantee that interference will not occur in a particular installation. If this equipment does cause harmful interference to radio or television reception, which can be determined by turning the equipment off and on, the user is encouraged to try to correct the interference by one or more of the following measures:

- Reorient or relocate the receiving antenna.
- Increase the separation between the equipment and receiver.
- Connect the equipment into an outlet on a circuit different from that to which the receiver is connected.
- Consult the dealer or an experienced radio/TV technician for help.

This product is a radio transmitter and receiver to be used in **mobile** conditions.

Supplier's Declaration of Conformity

47 CFR § 2.1077 Compliance Information

We, SALTO Systems, S.L., hereby declare that the equipment bearing the model number specified above was tested conforming to the applicable FCC Rules.

Responsible Party – U.S. Contact Information

Salto Systems Inc. USA. 1780 Corporate Drive, Suite 400. Norcross, GA. 30093. l.saldana@saltosystems.com



CANADIAN COMPLIANCE STATEMENT

This device complies with Industry Canada license-exempt RSS standard(s). Operation is subject to the following two conditions: (1) this device may not cause harmful interference, and (2) this device must accept any interference received, including interference that may cause undesired operation. Changes or modifications not expressly approved by the party responsible for compliance could void the user's authority to operate the equipment.

Le présent appareil est conforme aux CNR d'Industrie Canada applicables aux appareils radio exempts de licence. L'exploitation est autorisée aux deux conditions suivantes: (1) l'appareil ne doit pas produire de brouillage, et (2) l'utilisateur de l'appareil doit accepter tout brouillage radioélectrique subi, même si le brouillage est susceptible d'en compromettre le fonctionnement.

This device has been tested and found to comply with the limits for a Class B digital device, pursuant to ICES-003.