

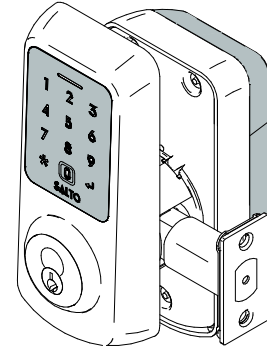
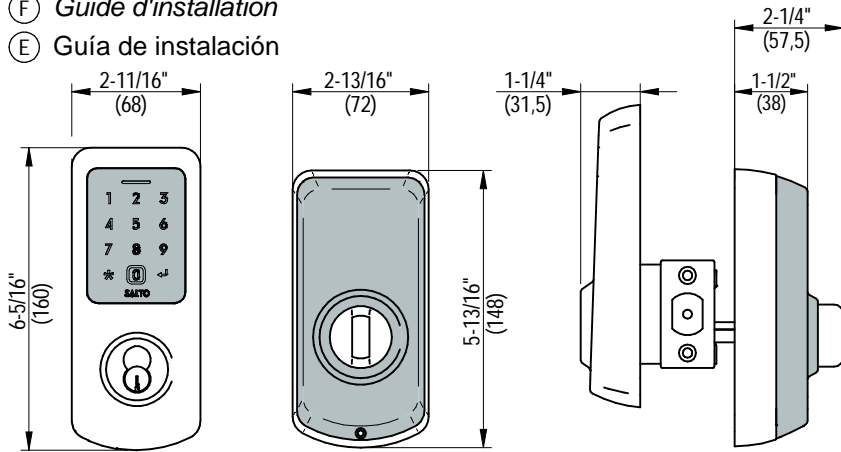
# Installation Guide

## SALTO DBolt Auto

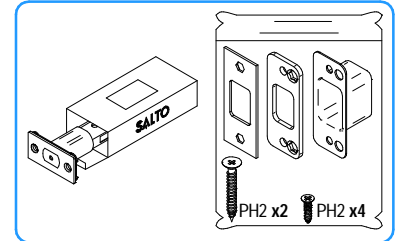
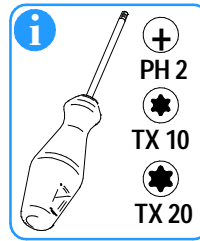
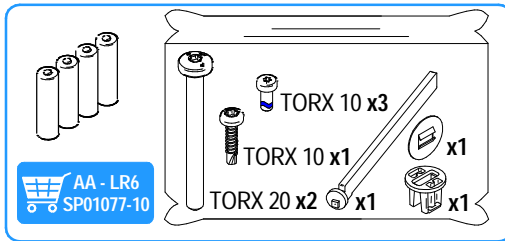
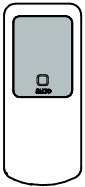
**SALTO**  
inspiredaccess

- Eng Installation guide
- F Guide d'installation
- E Guía de instalación

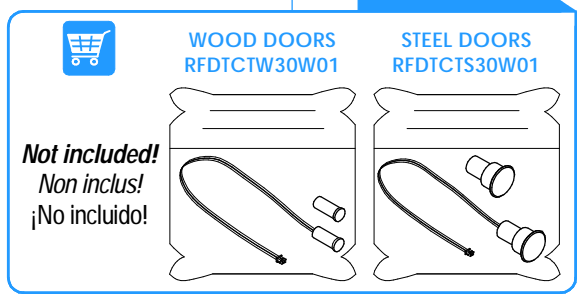
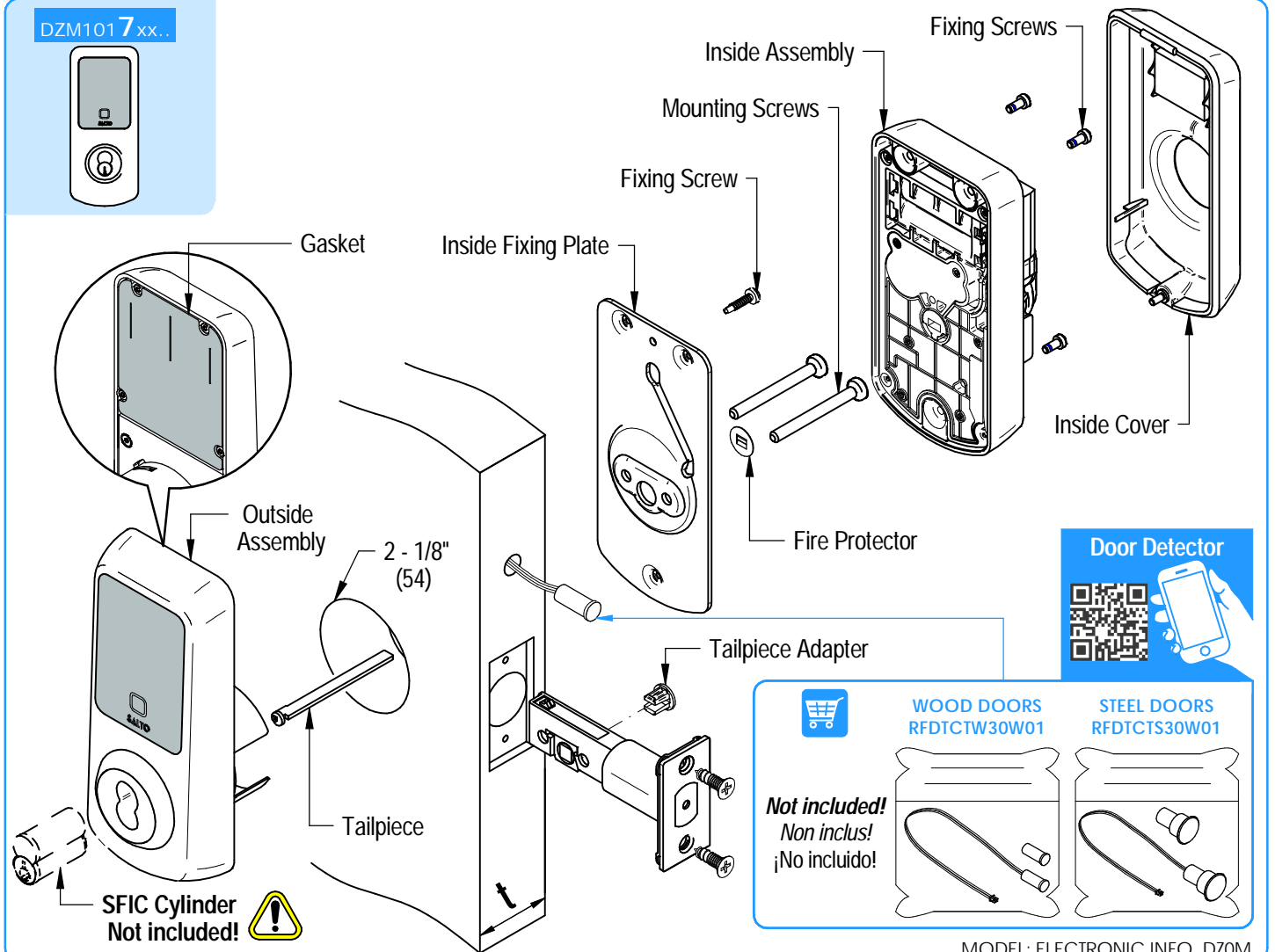
DZxx.. series



DZ1M010xx..



DZM1017xx..



MODEL: ELECTRONIC INFO. DZ0M

# Installation Guide

## SALTO DBolt Auto

**SALTO**  
inspiredaccess

Eng Installation F Installation E Instalación

**1 DOOR**

**1a** **1b** **FRAME**

PH 2 | REAL SIZE

**2**

**Inside always!**  
Toujours à l'intérieur!  
¡Siempre por el interior!

RH

LH

**3**

**ONLY FOR DZM1010xx.. MODELS!**

**4**

**4a**

**4b** **4c** **4d**

**5**

**6** **6a**

**6b**

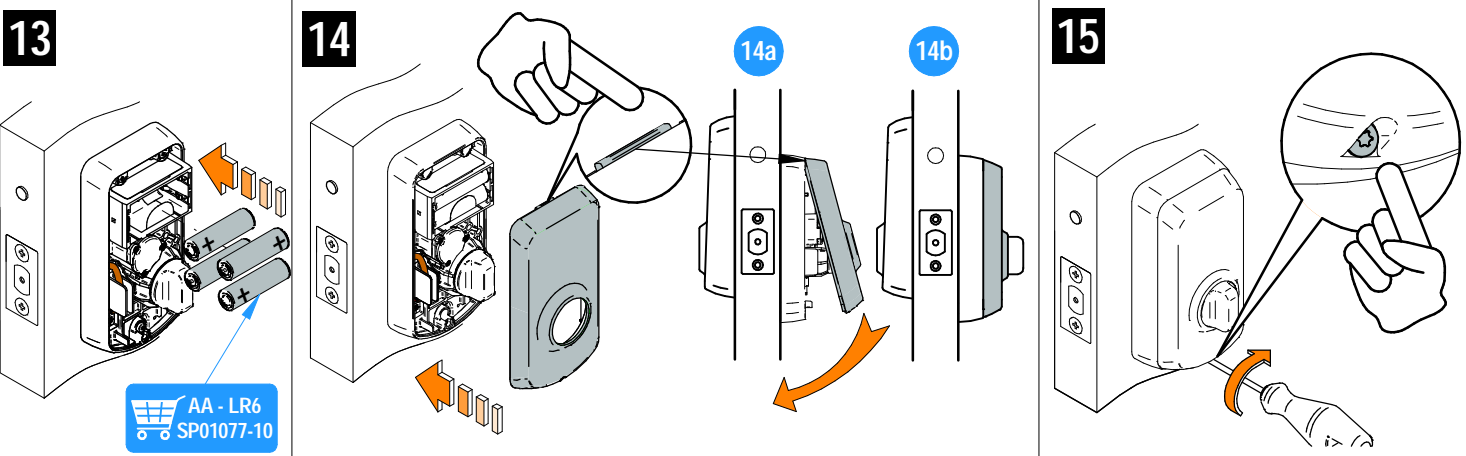
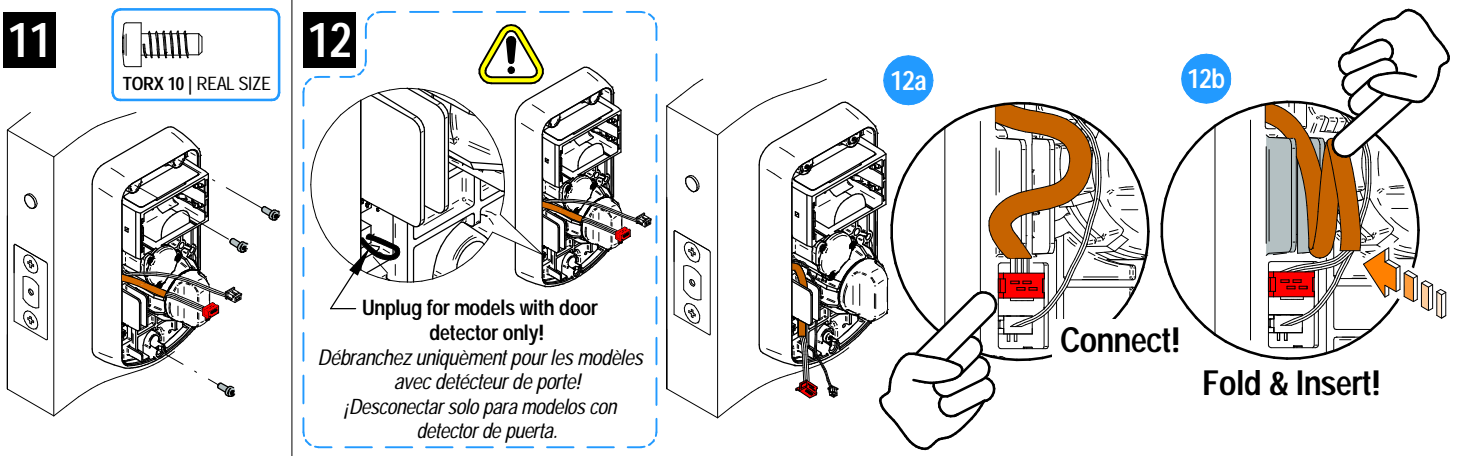
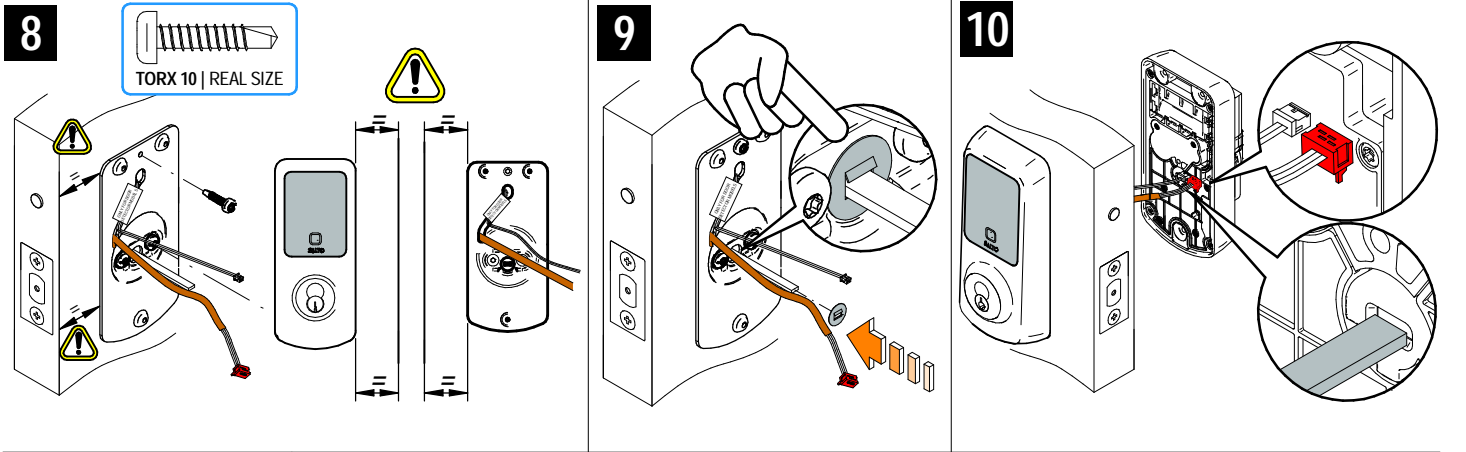
**7**

Door thickness	L	
	DZM1010..	DZM1017..
1-3/8" - 1-9/16" (35 - 40 mm)	1-3/4" (45 mm)	1-31/32" (50 mm)
1-9/16" - 1-3/4" (40 - 45 mm)	1-31/32" (50 mm)	1-31/32" (50 mm)
1-3/4" - 1-31/32" (45 - 50 mm)	2-3/16" (55 mm)	2-3/8" (60 mm)
1-31/32" - 2-3/16" (50 - 55 mm)	2-3/8" (60 mm)	2-3/8" (60 mm)
2-3/16" - 2-3/8" (55 - 60 mm)	2-9/16" (65 mm)	2-3/4" (70 mm)
2-3/8" - 2-9/16" (60 - 65 mm)	2-3/4" (70 mm)	2-3/4" (70 mm)
2-9/16" - 2-3/4" (65 - 70 mm)	2-15/16" (75 mm)	3-5/32" (80 mm)
2-3/4" - 2-15/16" (70 - 75 mm)	3-5/32" (80 mm)	3-5/32" (80 mm)
2-15/16" - 3-5/32" (75 - 80 mm)	3-11/32" (85 mm)	3-9/16" (90 mm)
3-5/32" - 3-11/32" (80 - 85 mm)	3-9/16" (90 mm)	3-9/16" (90 mm)

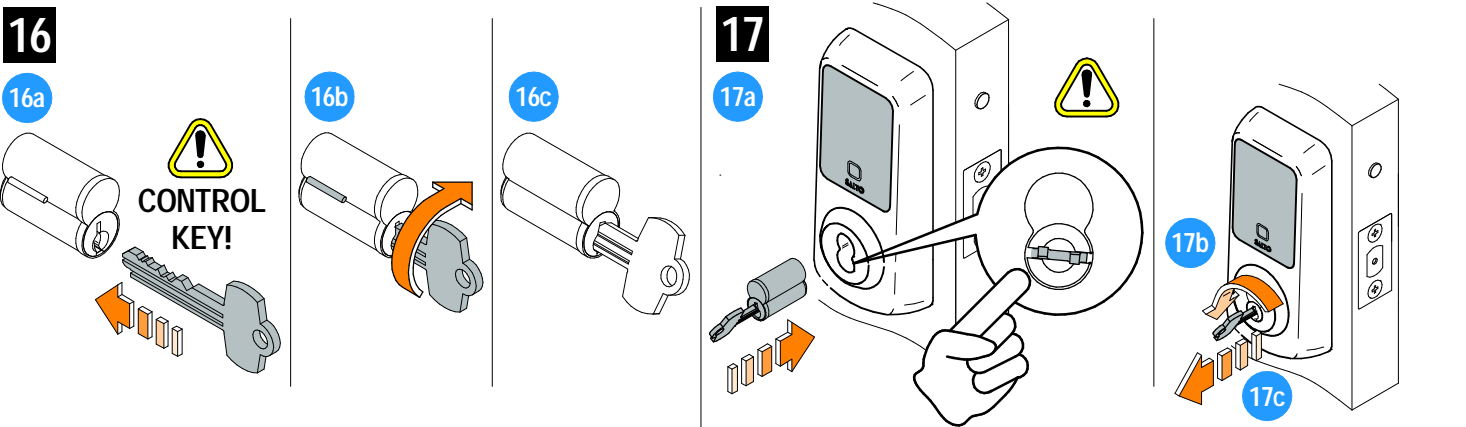
# Installation Guide

## SALTO DBolt Auto

**SALTO**  
inspiredaccess



Eng SFIC Cylinder Override Optional   F SFIC Cylinder Override Optional   E SFIC Cylinder Override Optional   D21M016xx.. series



# Installation Guide

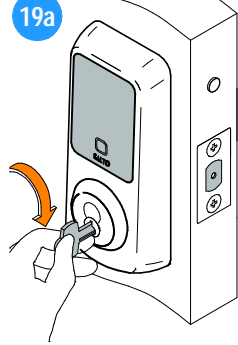
## SALTO DBolt Auto

**SALTO**  
inspiredaccess

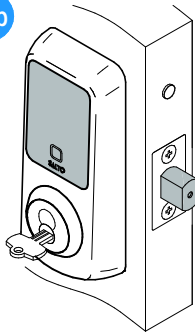
18



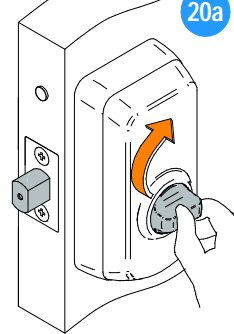
19



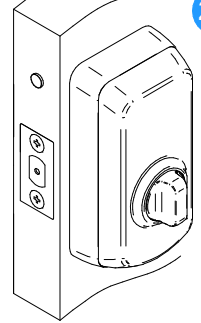
19b



20



20a



20b

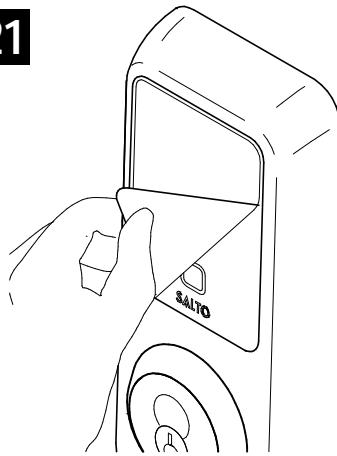


**DO NOT CLOSE THE DOOR.  
PROGRAM THE LOCK FIRST!**

*NE FERMEZ PAS LA PORTE.  
PROGRAMMEZ LA SERRURE AVANT!*

**¡NO CIERRE LA PUERTA.  
PROGRAME ANTES LA CERRADURA!**

21



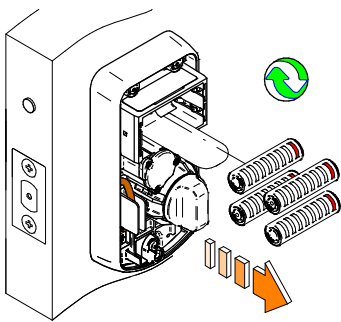
22

Keypad User Guide

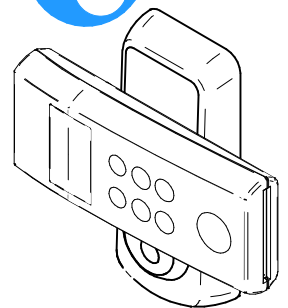
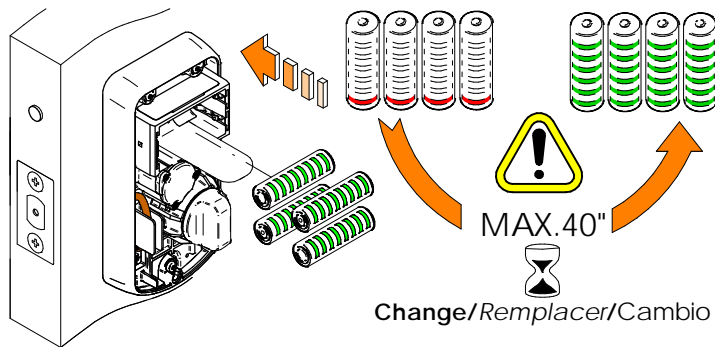


**(Eng) Battery Replacement (F) Remplacer les piles (E) Sustitución de pilas**

a

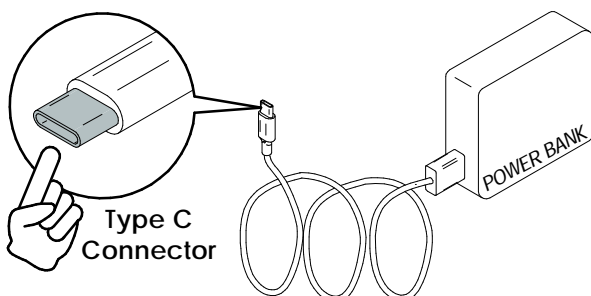


b



**(Eng) Emergency opening (F) Ouverture d'urgence (E) Apertura de emergencia**

i



1

