

Installation guide

AElement Fusion for ANSI mortise locks

SALTO
inspired access

- (Eng) Installation guide
(F) Guide d'installation
(E) Guía de instalación

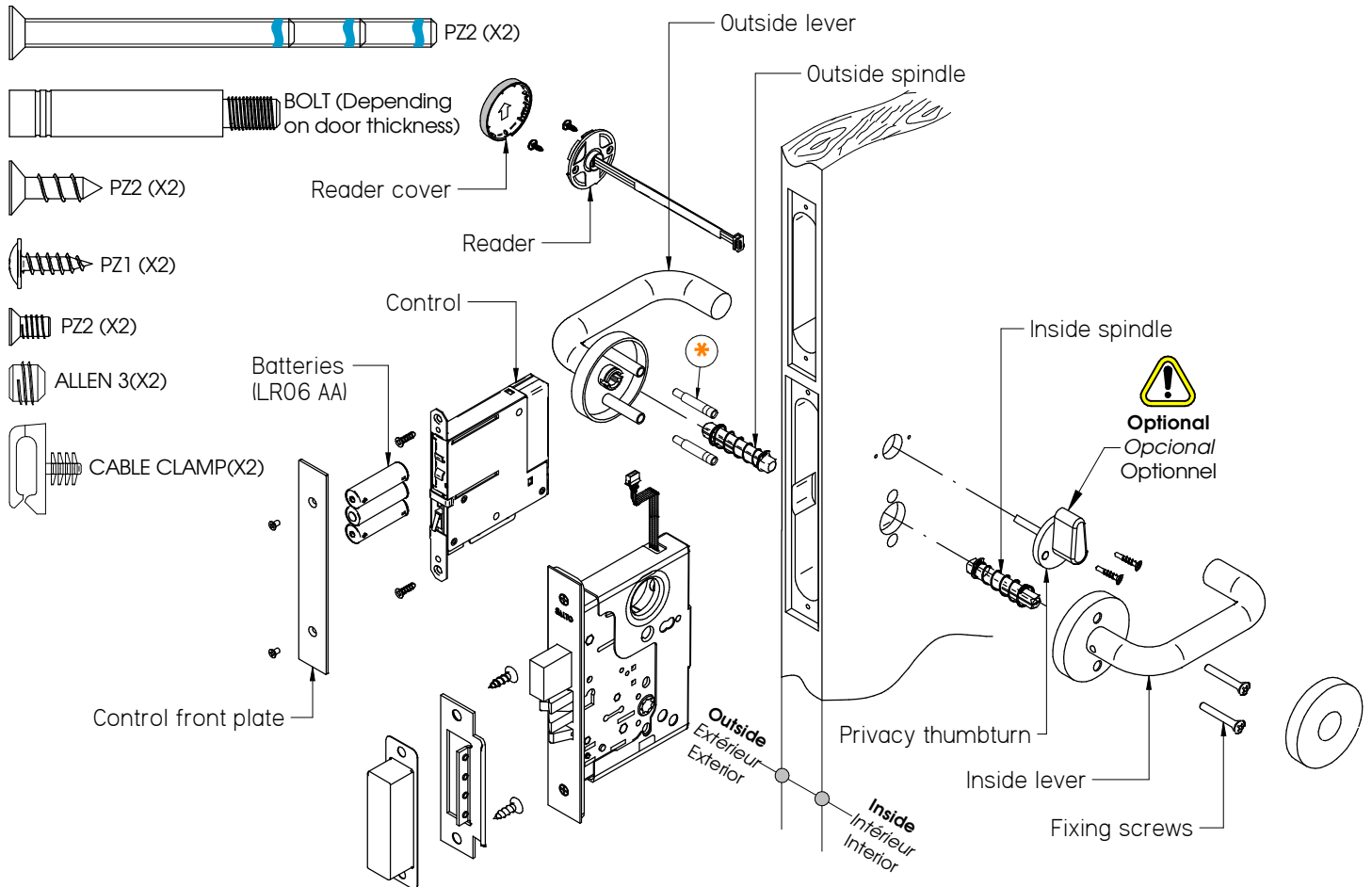
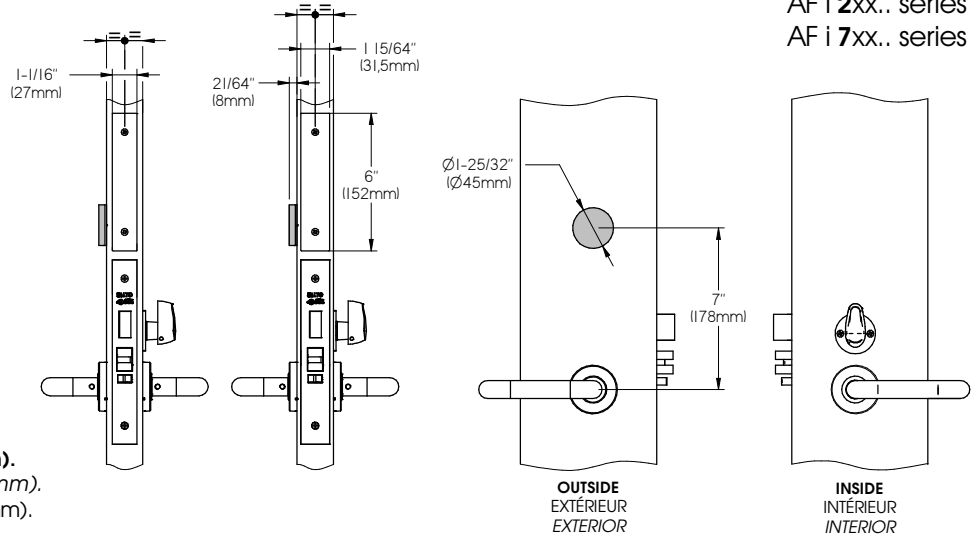
AF i 2xx.. series
AF i 7xx.. series



Only for WOOD doors.
Seulement pour portes en BOIS.
Solo para puertas de MADERA.

1-3/4" (44,5mm) < Door thickness < 2-3/4" (70mm).
1-3/4" (44,5mm) < Épaisseur d' porte < 2-3/4" (70mm).
1-3/4" (44,5mm) < Espesor de puerta < 2-3/4" (70mm).

Only SALTO spindle.
Seulement carrés SALTO.
Solo cuadradillos SALTO.



Mortise lock not included
Serrure à mortaiser non incluse
Cerradura de embutir no incluida

SALTO LA1T0770F2
SALTO LA1T0770F7
SALTO LA1T1770F2
SALTO LA1T1770F7

For door preparation see: 221373 or 4DS00020.

Pour préparation de la porte, voir: 221373 ou 4DS00020.
Para mecanizado de puerta, ver: 221373 ó 4DS00020.

The mounting with other spindles voids the guaranty.

Le montage d'autres carrés annulera le garantie.
El montaje de otros cuadradillos anula la garantía.

NOTE: Screws and spindles are included in the box of the reader.

NOTE: Les vis et les carrés sont inclus dans la boîte du lecteur.
NOTA: Los tornillos y cuadradillos están incluidos en la caja del lector.

(*) Only for door thickness > 2-9/16" (65mm).

(*) *Seulement pour portes de épaisseur > 2-9/16" (65mm).*

(*) *Solo para grosor de puerta > 2-9/16" (65mm).*

Recommendation for Customer's lever set installation on SALTO AElement. See : 4AN01299

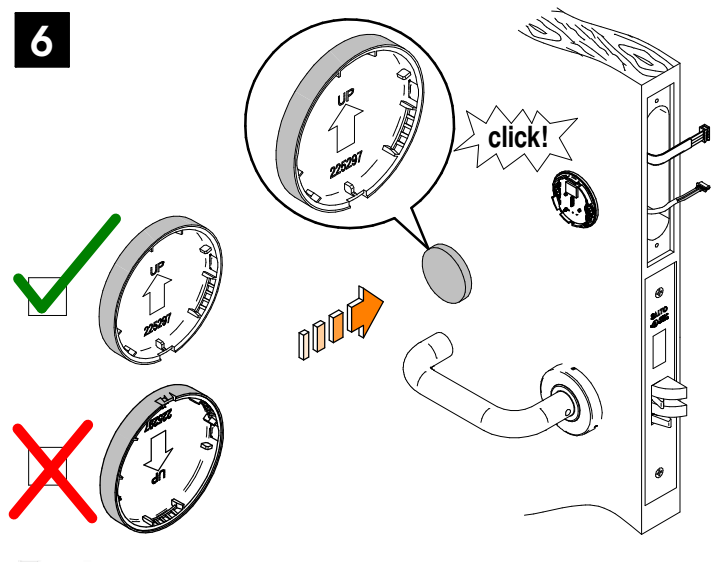
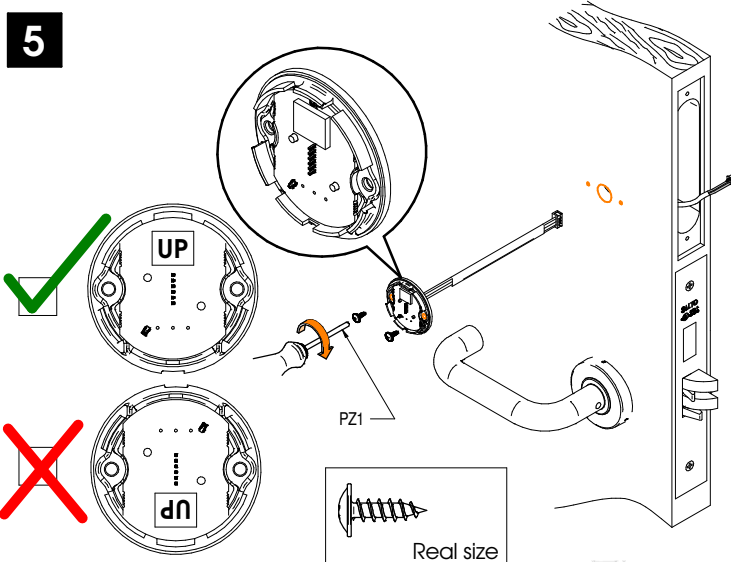
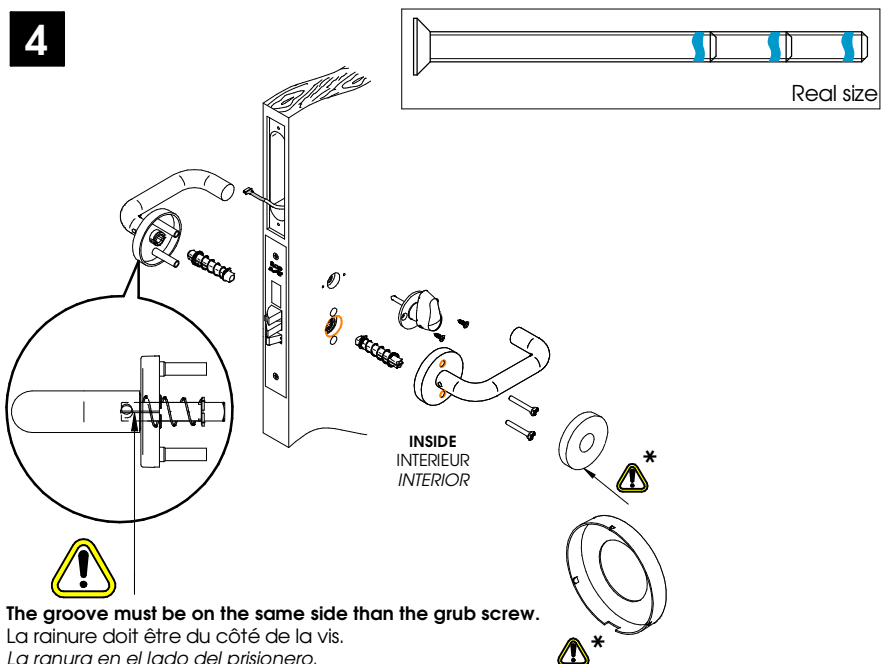
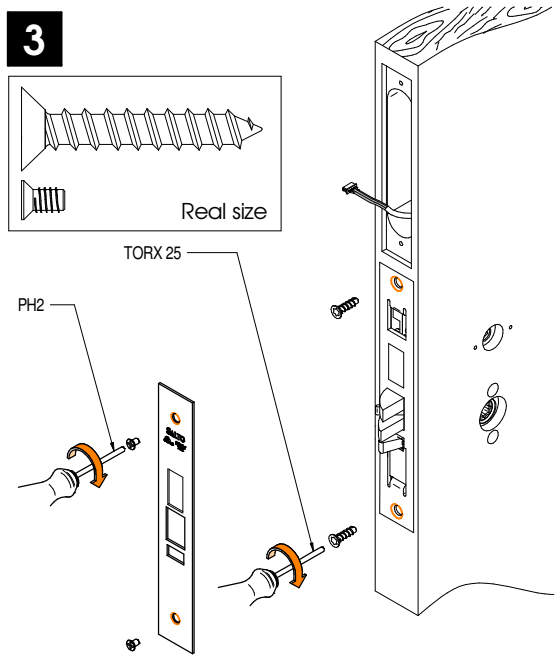
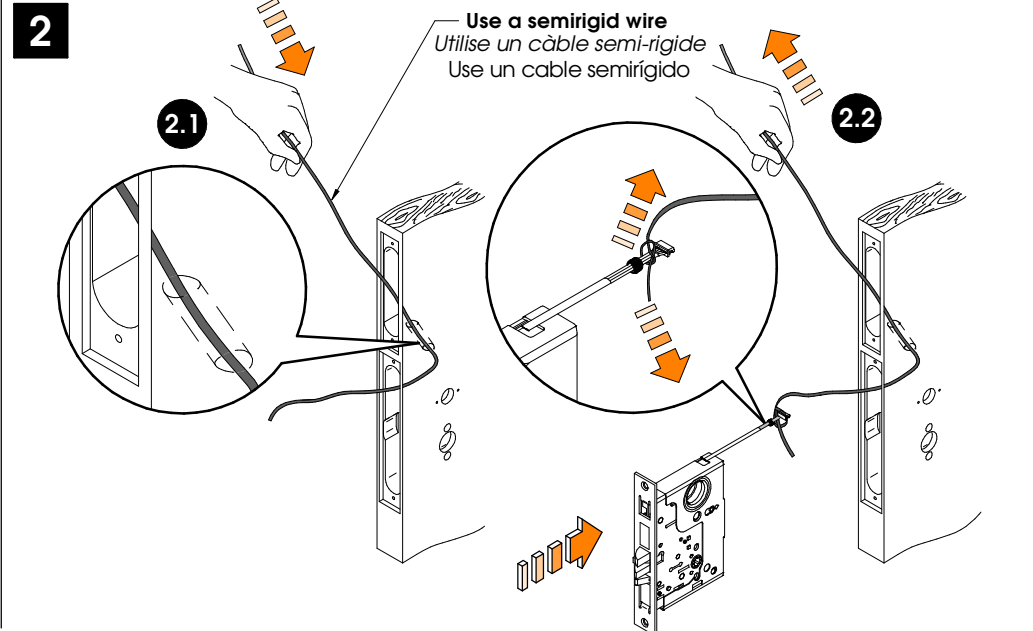
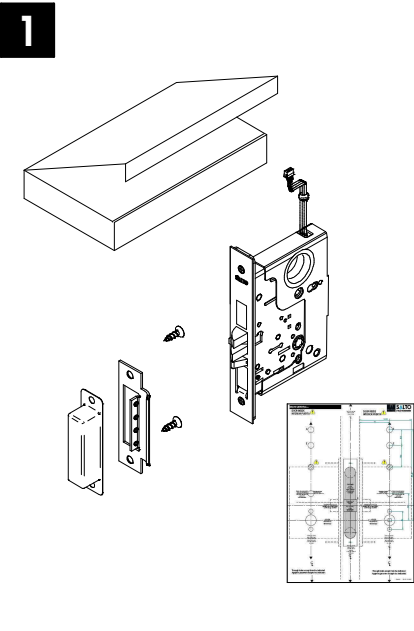
Recommandation pour l'installation des béquilles client sur Salto AElement. Voir: 4AN01299

Recomendaciones para la instalación de manillas Cliente en SALTO AElement. Ver: 4AN01299

Installation guide

AElement Fusion for ANSI mortise locks

Eng Installation F Installation E Instalación



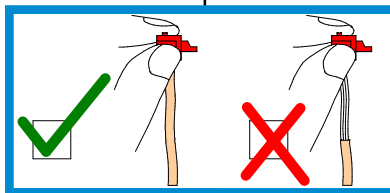
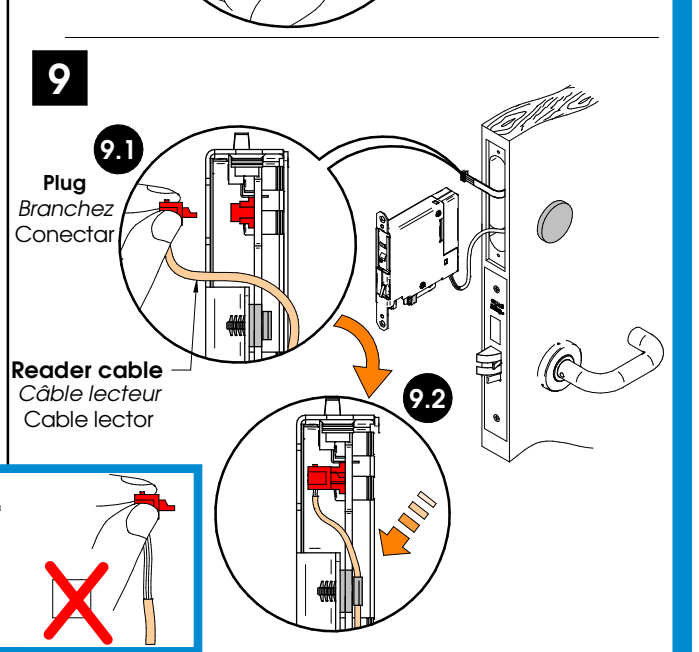
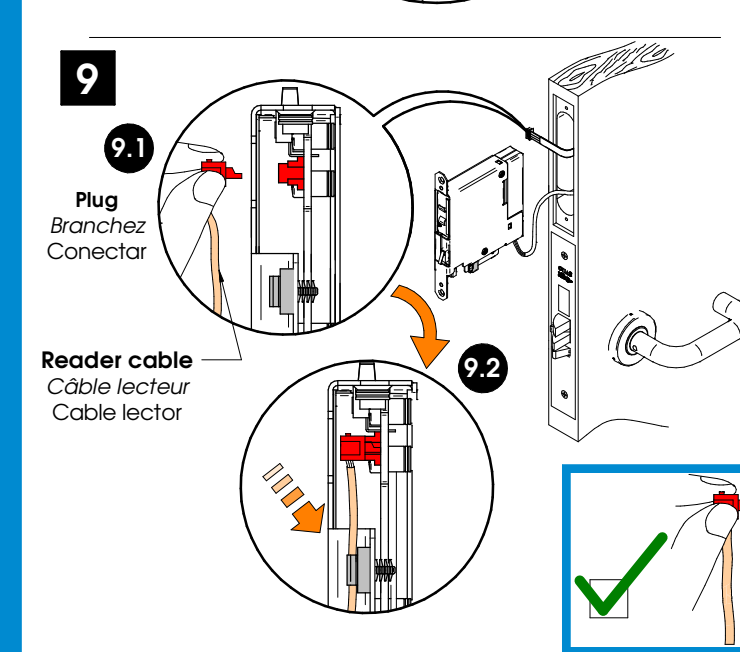
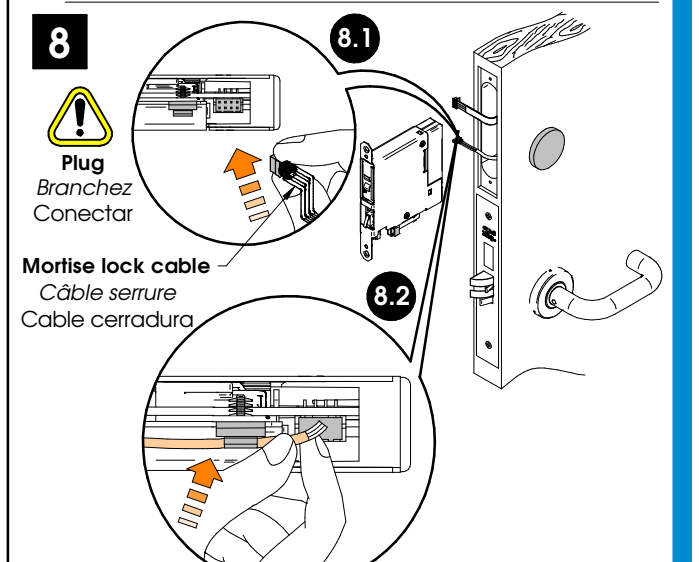
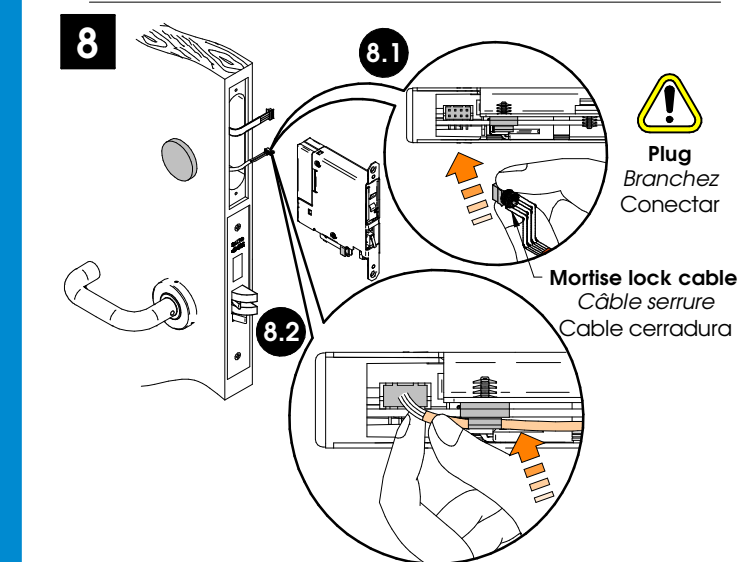
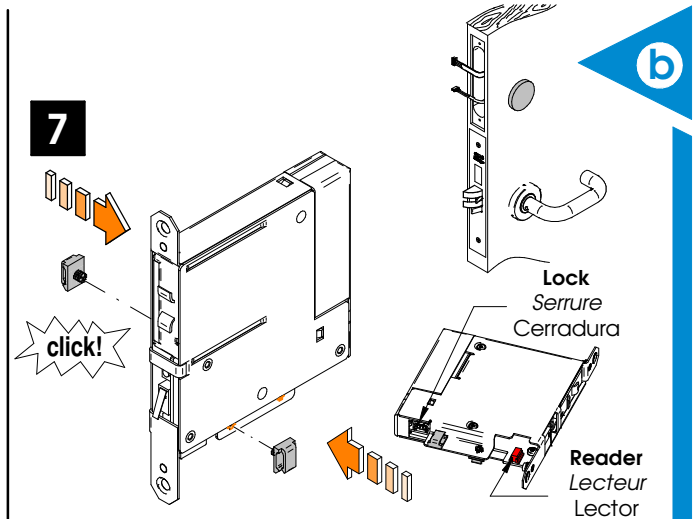
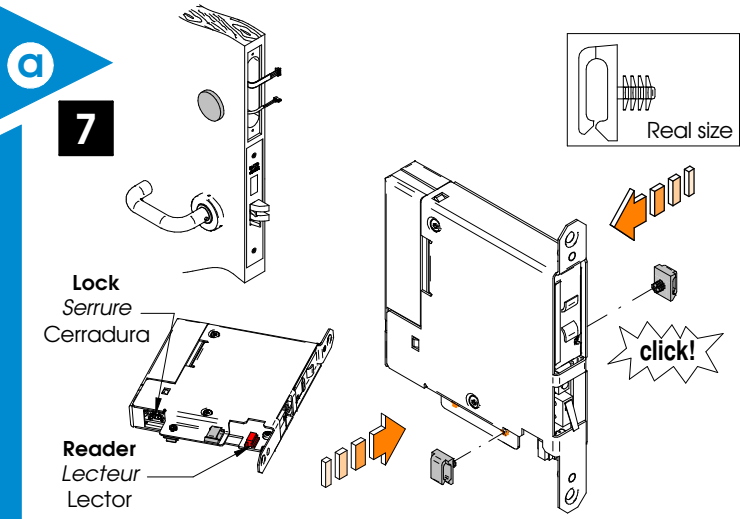
Installation guide

ÆElement Fusion for ANSI mortise locks

Eng Cable connection F Câble de raccordement E Conexión cableado

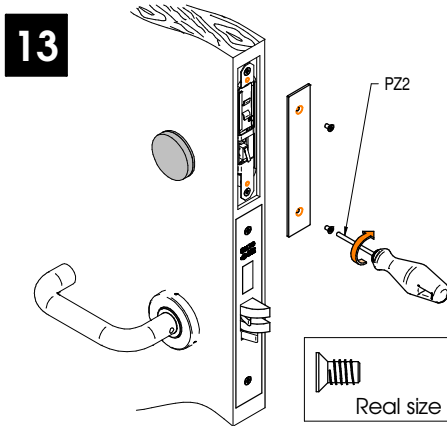
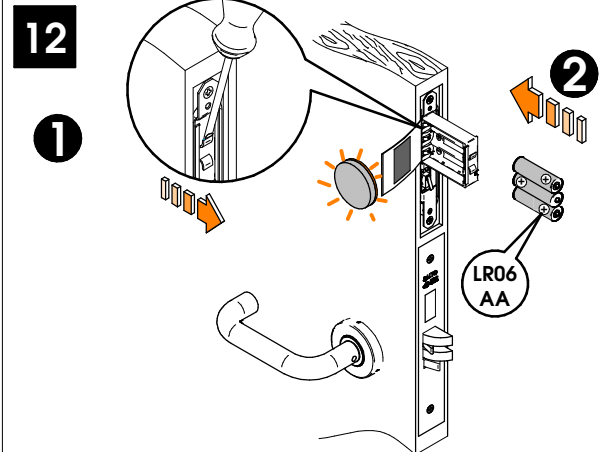
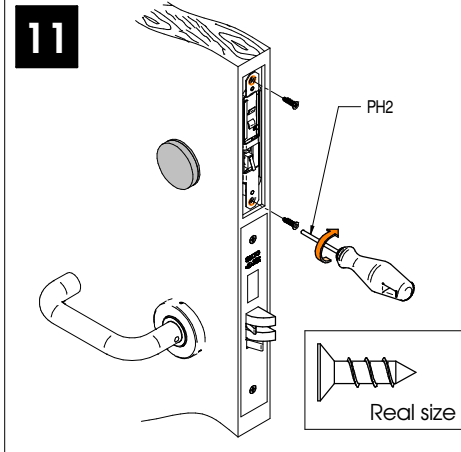
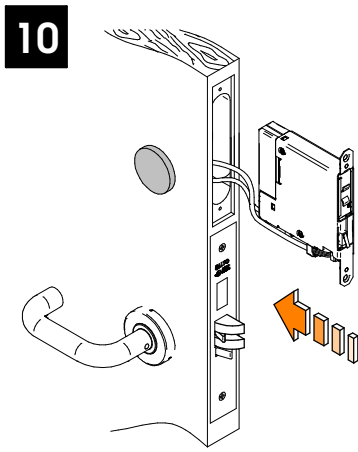


Select an option depending on the position of the reader (a or b).
Sélectionnez une option en fonction de la position du lecteur (a ou b).
Seleccionar una opción dependiendo de la posición del lector (a ó b).



Installation guide

ÆElement Fusion for ANSI mortise locks



(Eng)

**AT THIS POINT DO NOT
CLOSE THE DOOR
PROGRAM THE LOCK FIRST**

Follow user manual

(F)

**NE FERMEZ PAS LA PORTE.
PROGRAMMEZ LA BÉQUILLE AVANT**

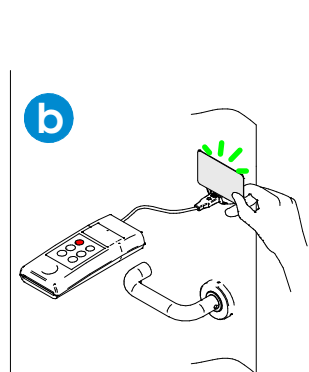
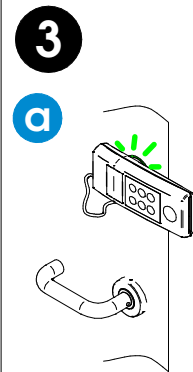
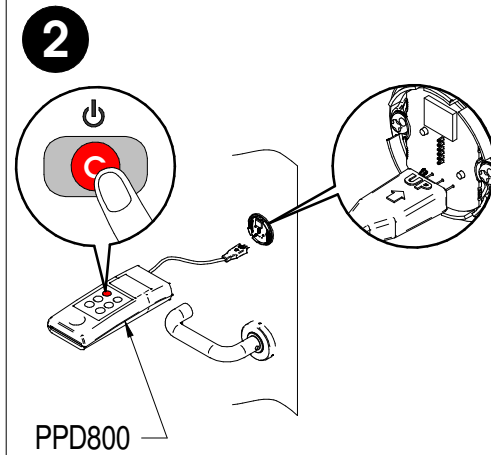
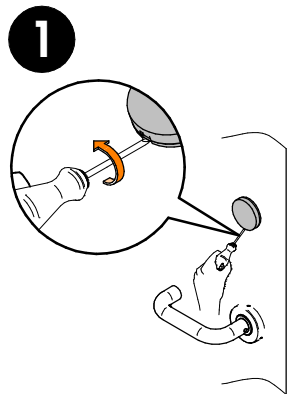
Consultez le manuel utilisateur

(E)

**NO CIERRE LA PUERTA. PROGRAME
LA CERRADURA**

Consulte el manual del usuario

(Eng) Emergency opening (F) Ouverture d'urgence (E) Apertura de emergencia



(Eng) Use and maintenance (F) L'utilisation et l'entretien (E) Uso y mantenimiento

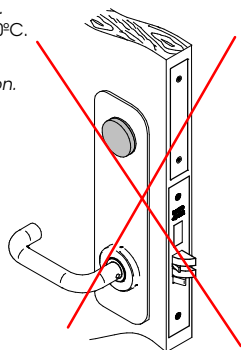
Operating conditions: 0°C<t<60°C.
Condition de fonctionnement: 0°C<t<60°C.
Condiciones de funcionamiento: 0°C<t<60°C.

To use in non condensing environments.
Pour des environnements sans condensation.
Para uso en entornos sin condensación.

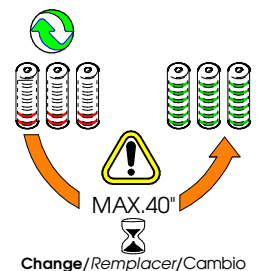
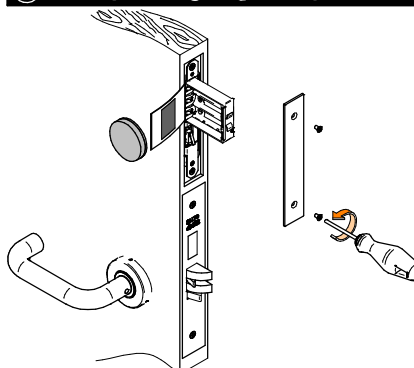


No cover plates.

Sans plaques de propreté.
No placas embellecedoras.



(Eng) Battery change (F) Remplacer les piles (E) Cambio de pilas



PRODUCTS DESCRIPTION

PRODUCT		TECHNOLOGY		SOFTWARE	
COMMERCIAL NAME	MODEL	RFID	BLUETOOTH SMART	CONTROL	BLUETOOTH MODULE(S)
AElement Fusion E1723	AFOB	x	x	0141	0136
	AFOJ	x	x	0145	0136
	AFOD	x	x	0146	0136 / -
AElement Original E1009	AEB	x	x	0135	0136
	AEJ	x	x	0147	0136
	AES	x	x	0139	-
XS4 One E1722	E97	x		0128	
	EB7	x	x	0134	0136
	EJ7	x	x	0150	0136
XS4 mini ANSI E1721	C92	x		0128	
	CB2	x	x	0134	0136
	CJ2	x	x	0150	0136
XS4 Locker E1011	L90	x		0054	

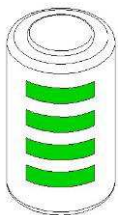
EU COMPLIANCE STATEMENT

- EN Hereby, SALTO Systems S.L. (Arkotz Kalea (Pol. Lanbarren), 9 – 20180 Oiartzun– Spain), declares that this access control equipment is in compliance with the essential requirements and other relevant provisions of Directive 2014/53/EU (RED) and 2011/65/EU (RoHS). You will be able to find a copy of the original declaration of conformity at the following Internet address: <http://www.saltosystems.com/certificate>
- ES Por medio de la presente SALTO Systems S.L. (Arkotz Kalea (Pol. Lanbarren), 9 – 20180 Oiartzun– Spain) declara que este equipo de control de accesos cumple con los requisitos esenciales y cualesquiera otras disposiciones aplicables o exigibles de la Directiva 2014/53/UE (RED) y 2011/65/UE (RoHS). Podrá encontrar una copia de la declaración de conformidad original en la siguiente dirección de internet: <http://www.saltosystems.com/certificate>
- FR Par la présente SALTO Systems S.L. (Arkotz Kalea (Pol. Lanbarren), 9 – 20180 Oiartzun– Spain) déclare que l'appareil équipement pour le contrôle d'accès est conforme aux exigences essentielles et aux autres dispositions pertinentes de la directive 2014/53/UE (RED) et 2011/65/UE (RoHS). Vous pouvez télécharger une copie de la déclaration de conformité originale à travers l'adresse suivante: <http://www.saltosystems.com/certificate>
- DE Hiermit erklärt SALTO Systems S.L. (Arkotz Kalea (Pol. Lanbarren), 9-20180 Oiartzun-Spain) dass sich das Gerät Zutrittskontrollgeräte im Übereinstimmung mit den grundlegenden Anforderungen und den übrigen einschlägigen Bestimmungen der Richtlinie 2014/53/EU (RED) befindet und 2011/65/EU (RoHS). Eine Kopie der originalen Konformitätserklärung finden Sie auf der folgenden Internetseite: <http://www.saltosystems.com/certificate>
- NL Hierbij verklaart SALTO Systems S.L. (Arkotz Kalea (Pol. Lanbarren), 9 – 20180 Oiartzun– Spain) dat het toestel toegangscontroleapparatuur in overeenstemming is met de essentiële eisen en de andere relevante bepalingen van richtlijn 2014/53/EU (RED) en 2011/65/EU (RoHS). U kunt een kopie van de originele verklaring van overeenstemming vinden op het volgende internetadres: <http://www.saltosystems.com/certificate>
- PT A SALTO Systems S.L. declara que este equipamento de controlo de accesos está conforme os requisitos essenciais e outras disposições da Diretiva 2014/53/UE (RED) e 2011/65/EU (RoHS). Poderá encontrar uma cópia da declaração de conformidade original na seguinte direção de internet: <http://www.saltosystems.com/certificate>

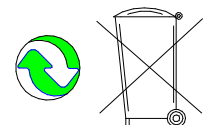
ELECTRICAL WARNINGS

Caution: Risk of explosion if battery is replaced by an incorrect type. Dispose of used batteries according to the instructions.

Recommended batteries:



- Simply Duracell **AAA** (MN2400)
- Varta High Energy **AAA** (04903)
- Varta Longlife **AAA** (04103)
- Varta Industrial **AAA** (04003)
- Simply Duracell **AA** (MN1500)
- Varta High Energy **AA** (04906)
- Varta Industrial **AA** (04006)
- Varta Longlife **AA** (04106)
- Duracell Ultra **CR2** Lithium (DLCR2)
- Panasonic **CR2** Lithium
- Panasonic **CR2** Lithium Industrial



FREQUENCY / OUTPUT MAXIMUM POWER

TECHNOLOGY	OPERATING FREQUENCY	OUTPUT MAX. POWER
RFID	13.56 MHz	+25 dBm
Bluetooth Smart	2400 – 2483.5 MHz	+8 dBm / + 2.8 dBm

MECHANICAL WARNINGS

In order to confirm the correct operation of this electronic device, SALTO recommends using it in combination with a lock destined for that use (door mass, frequency of use, fire door, etc) and that is in good operational conditions. The SALTO product should be treated with care during the installation process to avoid any aggressive contact that may damage the unit. It may be necessary to loosen the trims mounting during installation. Do not bring the device into contact with oil, paints or acids. Do not paint the door with the mortise lock or electronic device already mounted on the door. CLEANING THE ELECTRONIC DEVICE: a damp cloth with mild soapy water can be used. Never use abrasive soaps or sprays. For best performance, stainless steel should be cleaned regularly. Note that when the door is closed without the lock having been already programmed, the lock will automatically lock and can only be opened with a Portable Programming Device (PPD). If you have questions or doubts on this, please contact your authorized SALTO supplier.

LEGAL WARNINGS

The user shall be responsible for the correct use and maintenance of the access control equipment according to the instructions herein. SALTO shall not be responsible for any defect, malfunction, loss or damage, whether direct or indirect, caused by or arisen from any improper installation or utilization of the equipment or which contravenes, transgresses or infringes in any manner the abovementioned instructions.

SALTO's liability concerning the equipment is limited to the warranty provided. The warranty does not cover product failures due to repairs, modifications or product manipulations performed in the access control equipment or in the inner electromechanical structure by anyone other than authorized SALTO dealers or personnel.



FCC COMPLIANCE STATEMENT

This device complies with Part 15 of the FCC Rules. Operation is subject to the following two conditions: (1) this device may not cause harmful interference, and (2) this device must accept any interference received, including interference that may cause undesired operation. Changes or modifications not expressly approved by the party responsible for compliance could void the user's authority to operate the equipment.

Note: This equipment has been tested and found to comply with the limits for a Class B digital device, pursuant to part 15 of the FCC Rules. These limits are designed to provide reasonable protection against harmful interference in a residential installation. This equipment generates, uses, and can radiate radio frequency energy and, if not installed and used in accordance with the instructions may cause harmful interference to radio communications. However, there is no guarantee that interference will not occur in a particular installation. If this equipment does cause harmful interference to radio or television reception, which can be determined by turning the equipment off and on, the user is encouraged to try to correct the interference by one or more of the following measures:

- Reorient or relocate the receiving antenna.
- Increase the separation between the equipment and receiver.
- Connect the equipment into an outlet on a circuit different from that to which the receiver is connected.
- Consult the dealer or an experienced radio/TV technician for help.

CANADIAN COMPLIANCE STATEMENT

This device complies with Industry Canada license-exempt RSS standard(s). Operation is subject to the following two conditions: (1) this device may not cause harmful interference, and (2) this device must accept any interference received, including interference that may cause undesired operation. Changes or modifications not expressly approved by the party responsible for compliance could void the user's authority to operate the equipment.

Le présent appareil est conforme aux CNR d'Industrie Canada applicables aux appareils radio exempts de licence. L'exploitation est autorisée aux deux conditions suivantes: (1) l'appareil ne doit pas produire de brouillage, et (2) l'utilisateur de l'appareil doit accepter tout brouillage radioélectrique subi, même si le brouillage est susceptible d'en compromettre le fonctionnement.

This device has been tested and found to comply with the limits for a Class B digital device, pursuant to ICES-003.