

Installation guide Ai6xx...

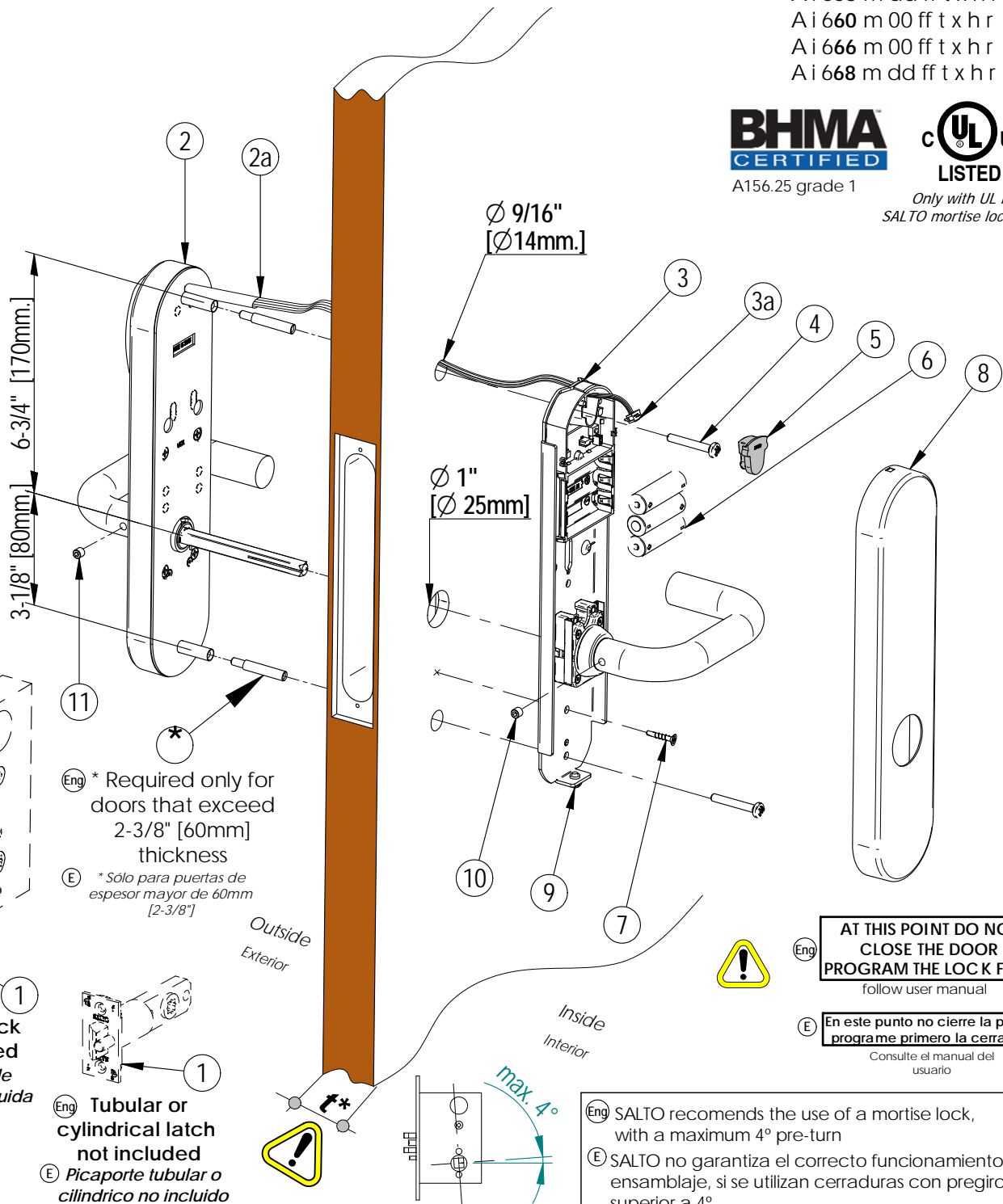
- Eng Installation guide
- E Guía de instalación

Ai 650 m 00 ff t x h r series
 Ai 656 m 00 ff t x h r
 Ai 658 m dd ff t x h r
 Ai 660 m 00 ff t x h r
 Ai 666 m 00 ff t x h r
 Ai 668 m dd ff t x h r

BHMA
CERTIFIED
A156.25 grade 1

UL US
LISTED

Only with UL listed
SALTO mortise lock or latch



Eng * Required only for doors that exceed 2-3/8" [60mm] thickness

E * Sólo para puertas de espesor mayor de 60mm [2-3/8"]

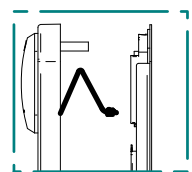
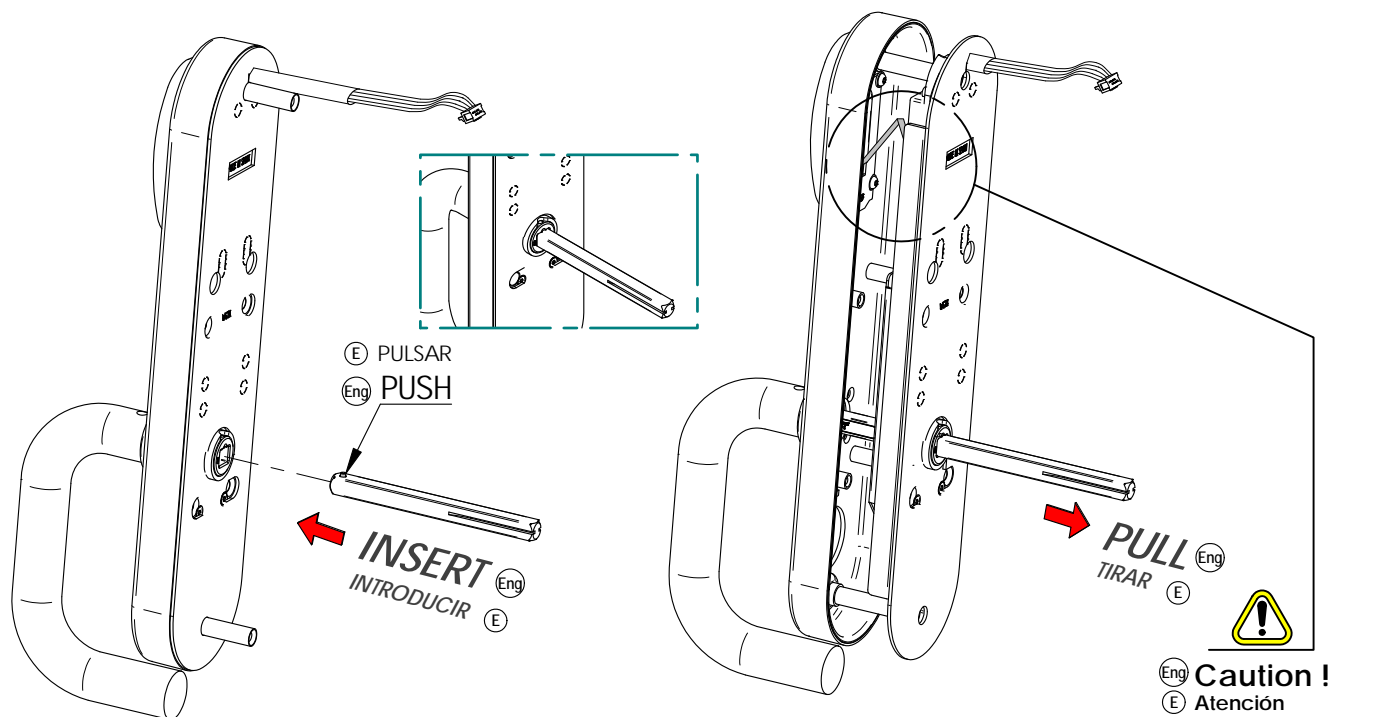
Eng Mortise Lock not included
E Cerradura de embutir no incluida

Eng Tubular or cylindrical latch not included
E Picaporte tubular o cilindrico no incluido

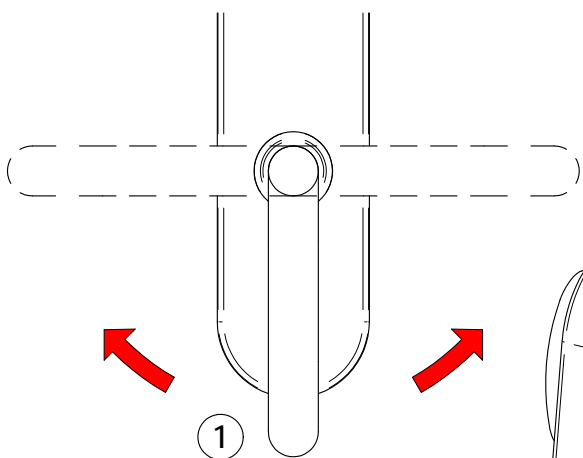
Eng AT THIS POINT DO NOT CLOSE THE DOOR PROGRAM THE LOCK FIRST follow user manual

E En este punto no cierre la puerta, programe primero la cerradura Consulte el manual del usuario

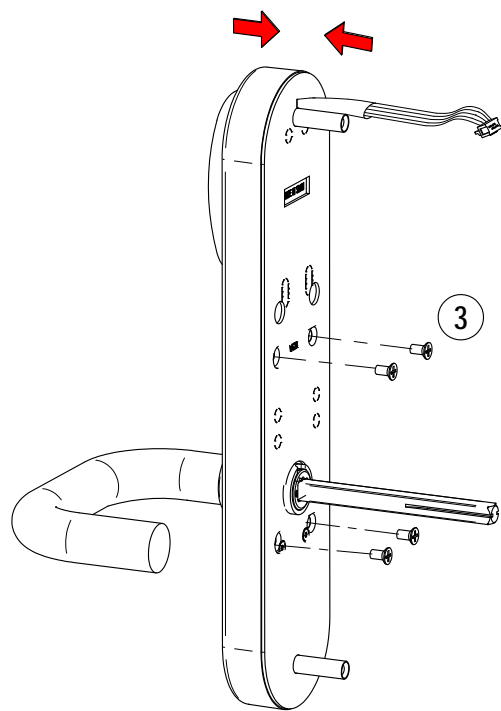
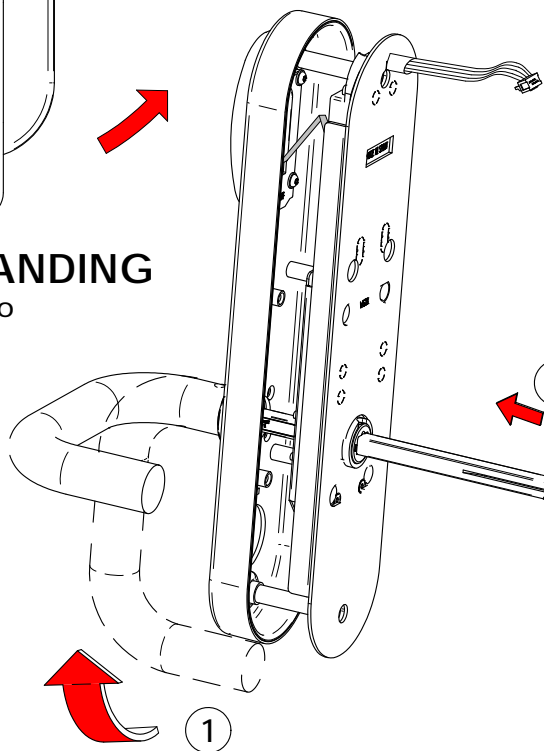
Eng SALTO recommends the use of a mortise lock, with a maximum 4° pre-turn
E SALTO no garantiza el correcto funcionamiento del ensamble, si se utilizan cerraduras con pregiro superior a 4°

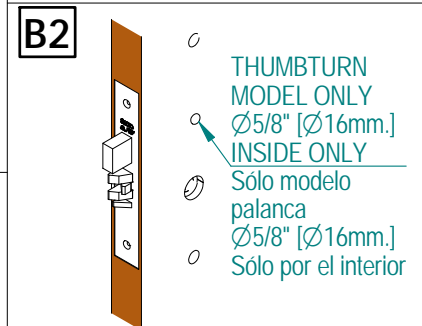
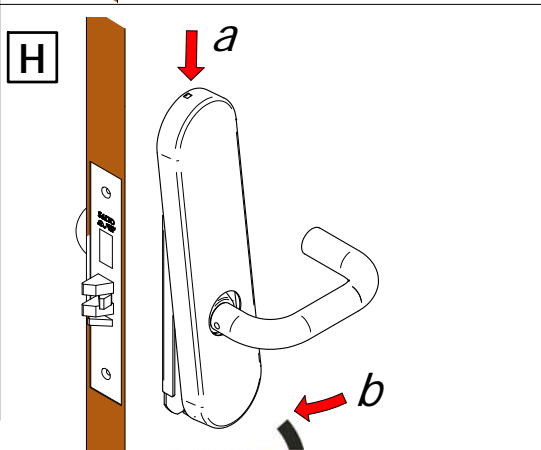
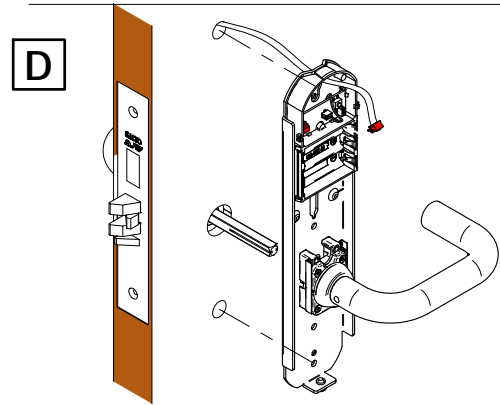
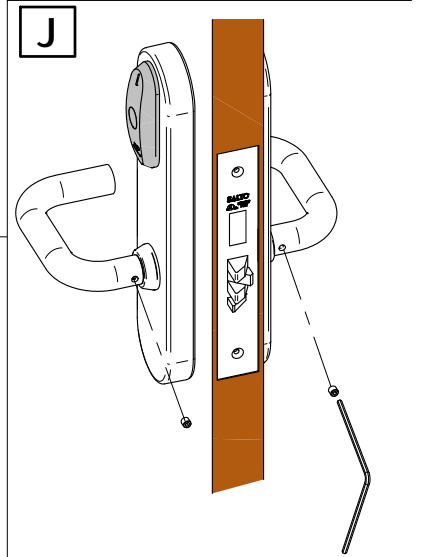
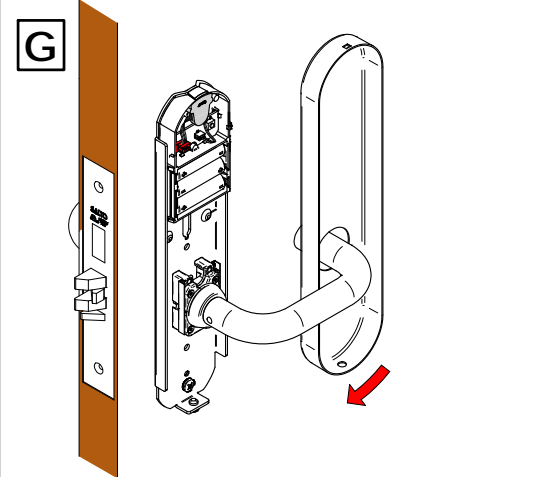
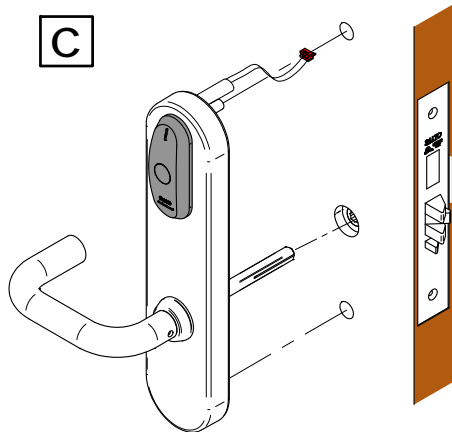
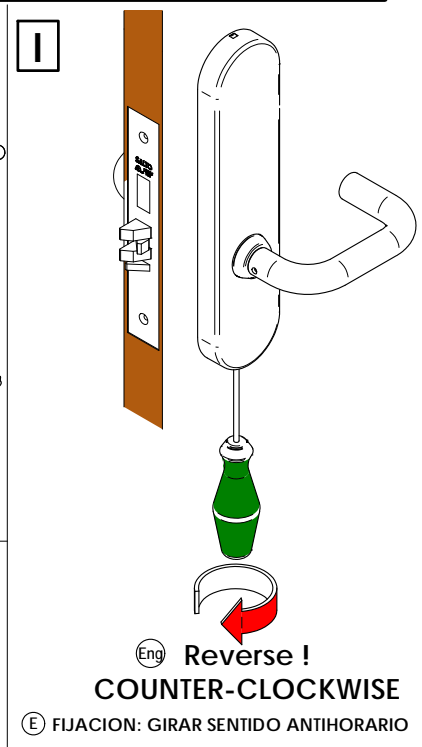
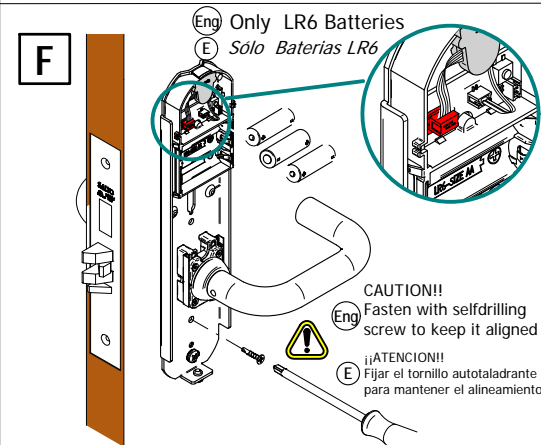
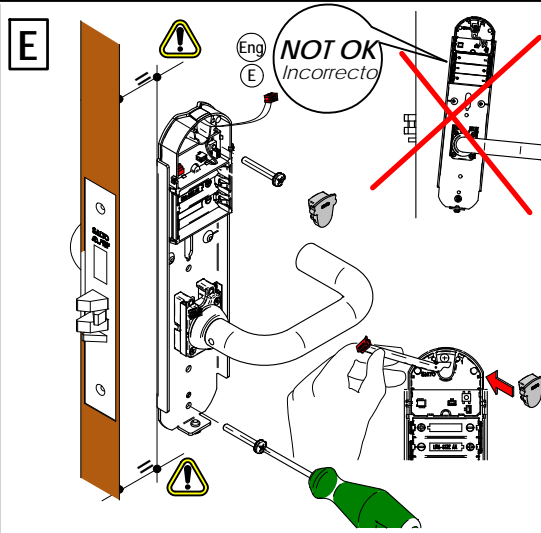
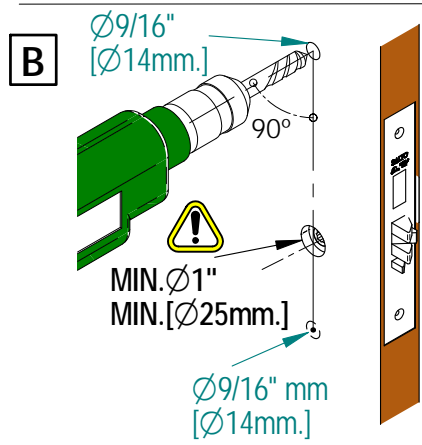
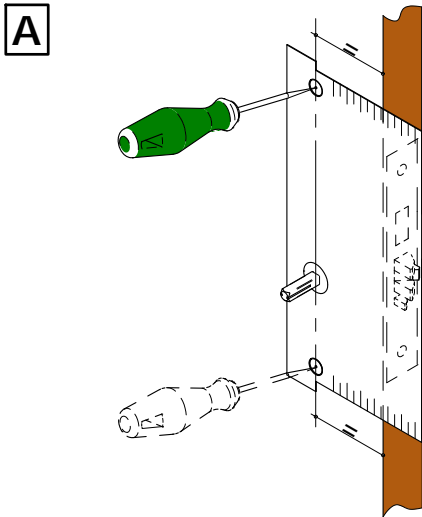


(Eng) **Do not disconnect !**
 (E) No desconectar



(Eng) **SELECT HANDING**
 (E) SELECCIONE MANO





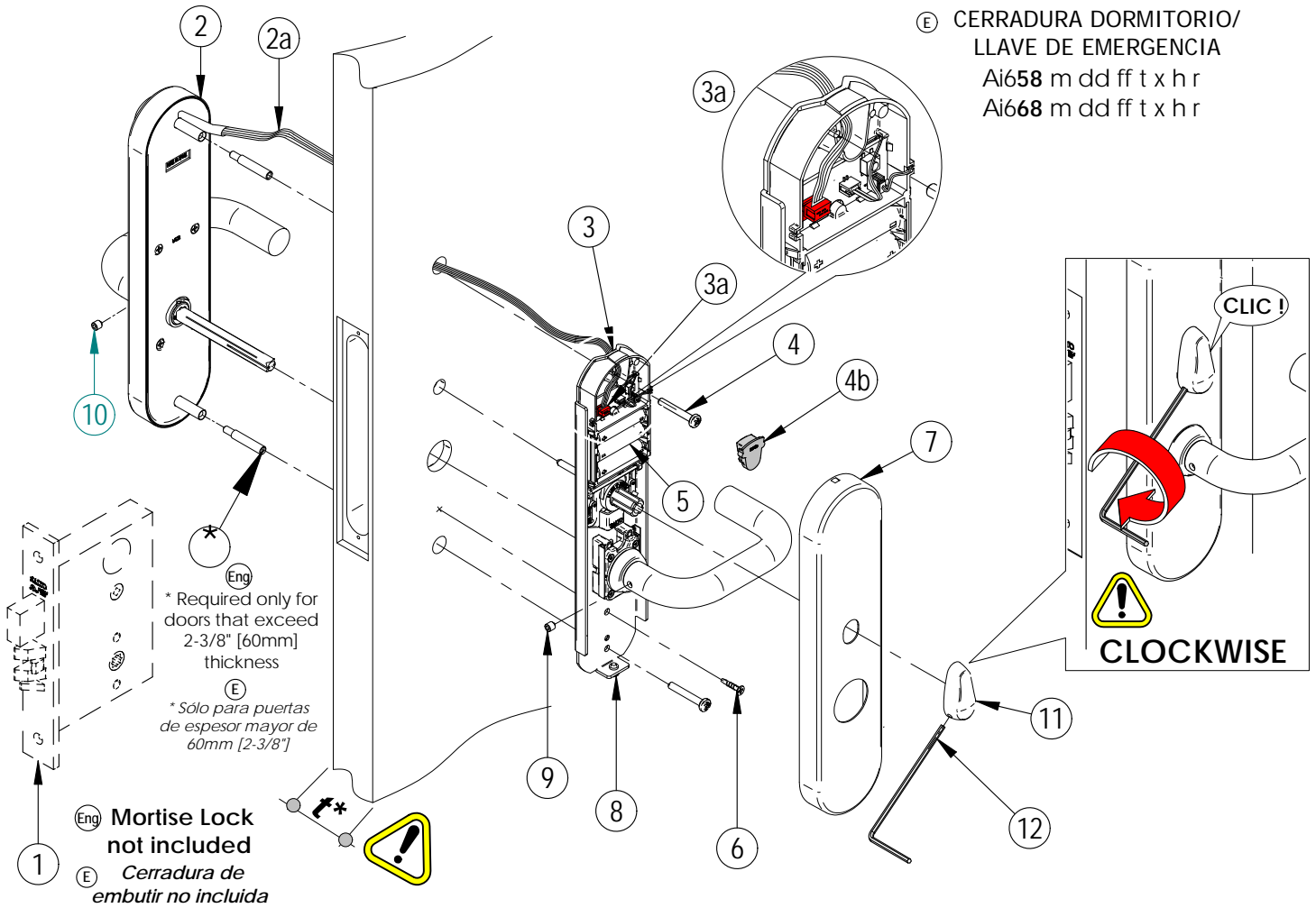
Eng AT THIS POINT DO NOT CLOSE THE DOOR PROGRAM THE LOCK FIRST follow user manual

Eng NO CIERRE LA PUERTA. PROGRAME LA CERRADURA Consulte el manual del usuario

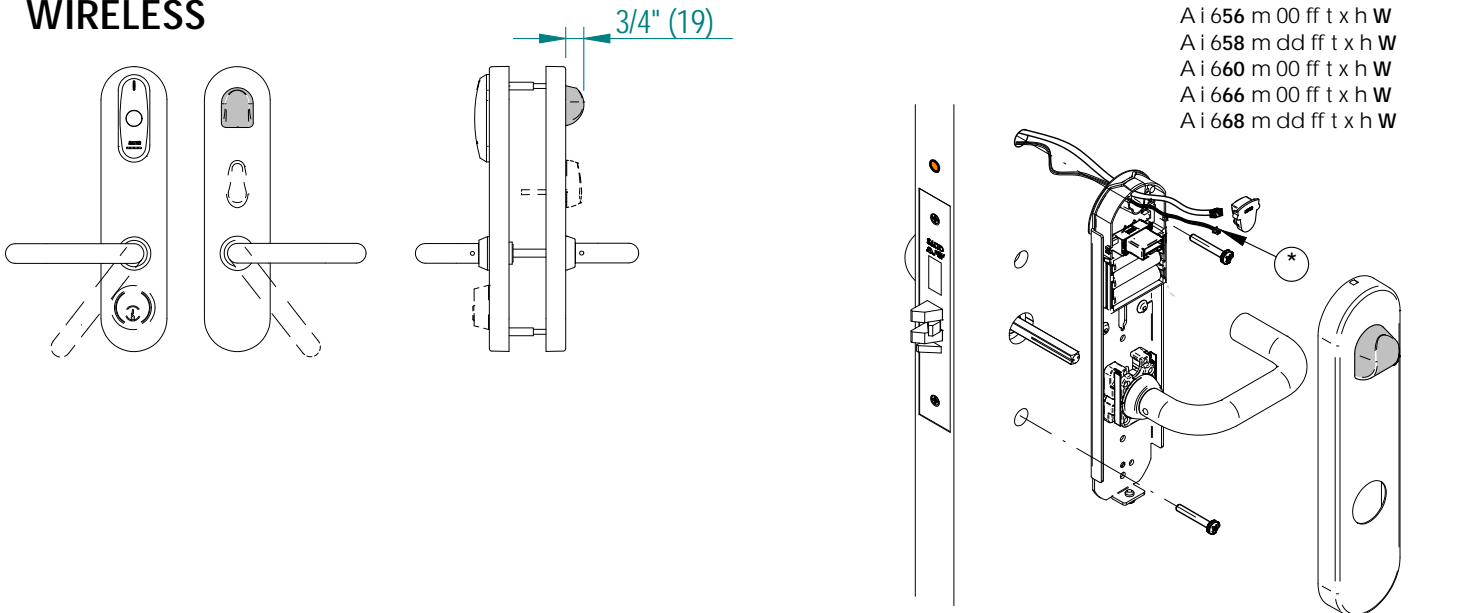
(Eng) DORM LOCK / KEY OVERRIDE

(E) CERRADURA DORMITORIO/
LLAVE DE EMERGENCIA

Ai658 m dd ff t x h r
Ai668 m dd ff t x h r



WIRELESS



(Eng) * Door detector for Ai6xx...
Wooden doors RFDICTW18W01
Steel doors RFDICTS18W01

(E) * Detector de puerta para Ai6xx...
Puertas de madera RFDICTW18W01
Puertas metalicas RFDICTS18W01