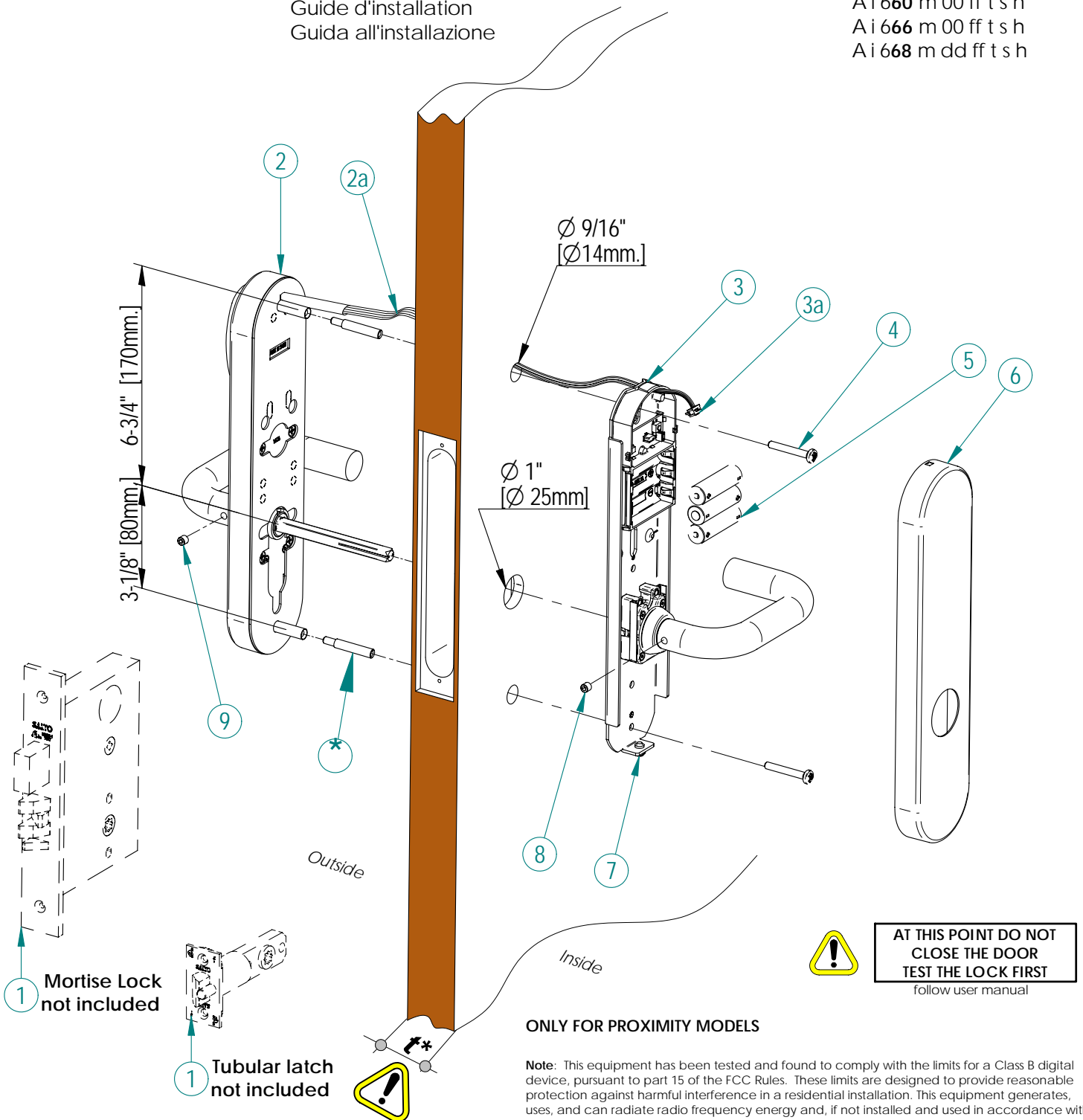


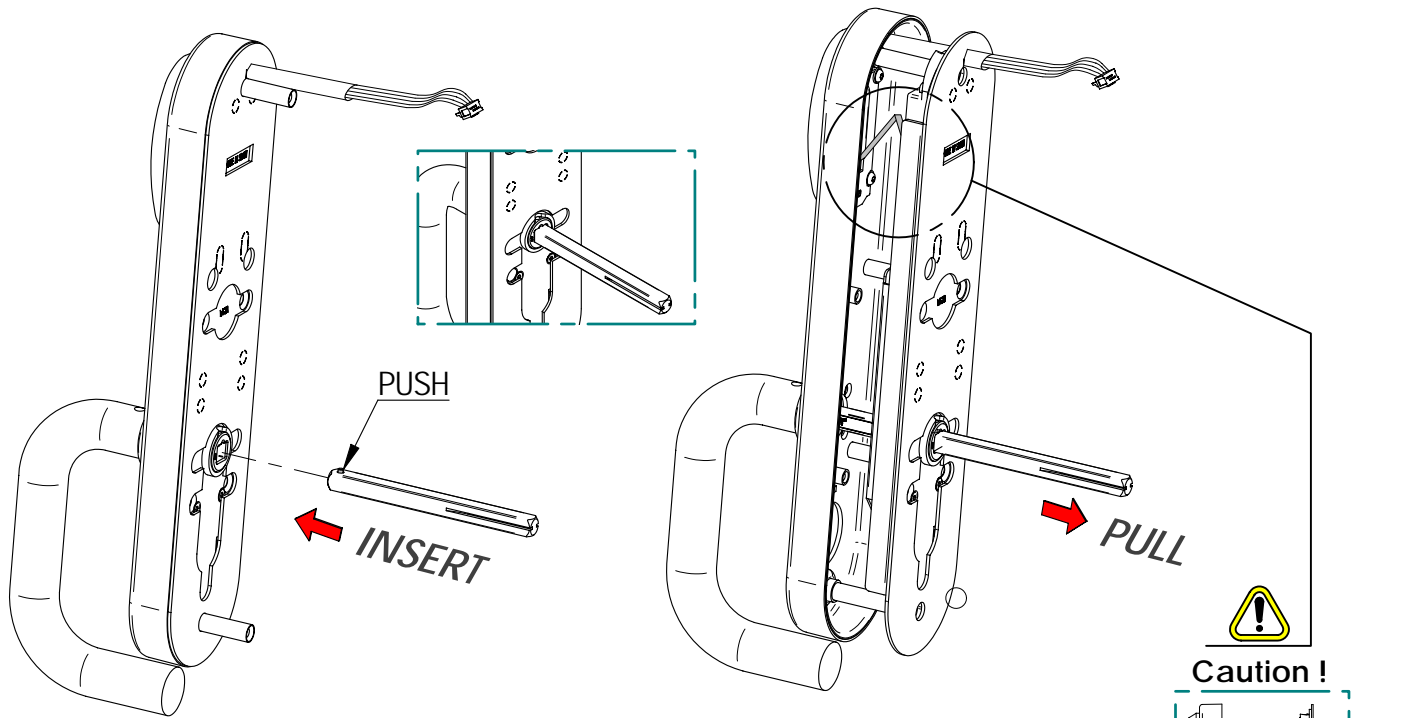
Guía de instalación
Montageanleitung
Installation guide
Guide d'installation
Guida all'installazione

Ai 650 m 00 ff t s h series
Ai 656 m 00 ff t s h
Ai 658 m dd ff t s h
Ai 660 m 00 ff t s h
Ai 666 m 00 ff t s h
Ai 668 m dd ff t s h

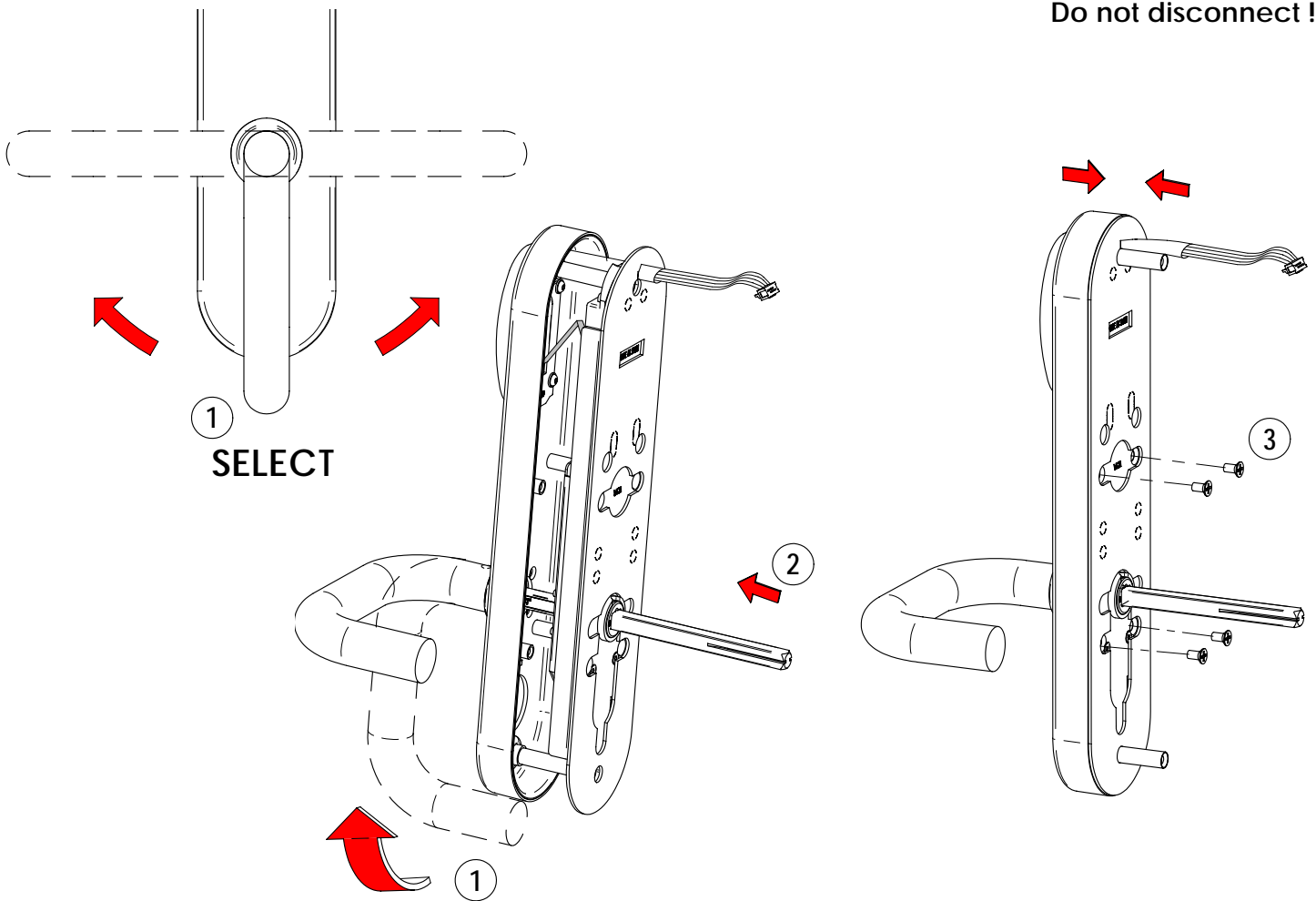


* Required only for doors that exceed 2-3/8" thickness

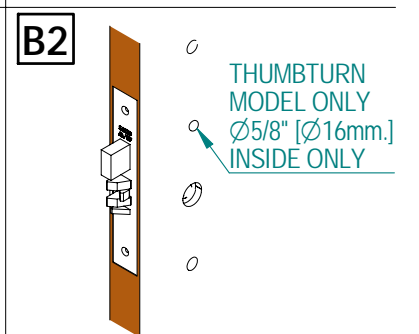
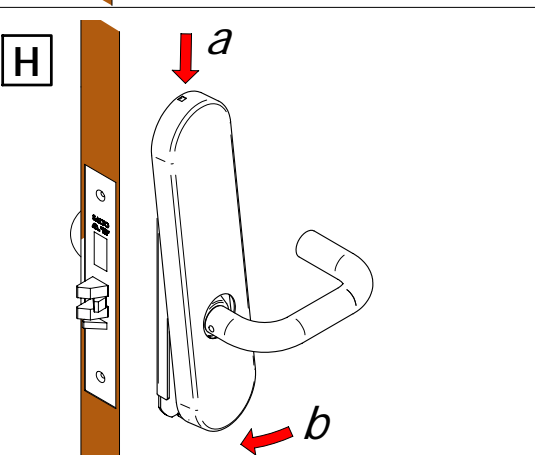
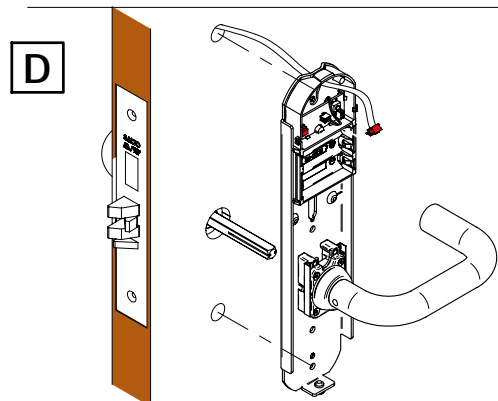
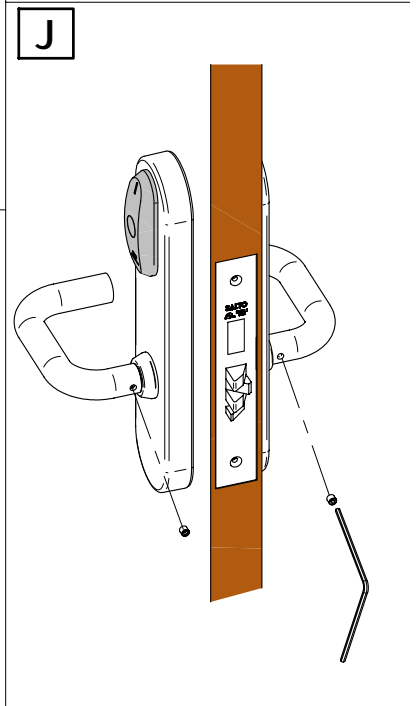
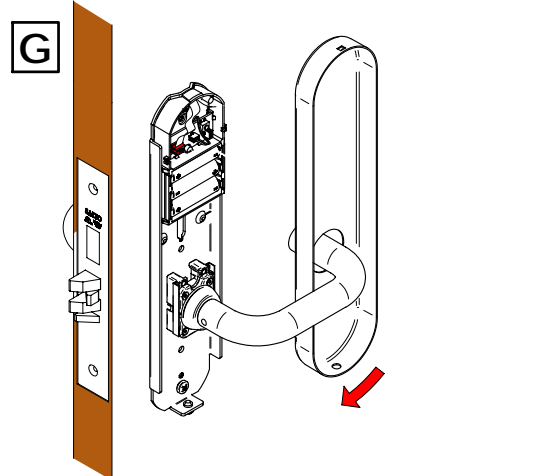
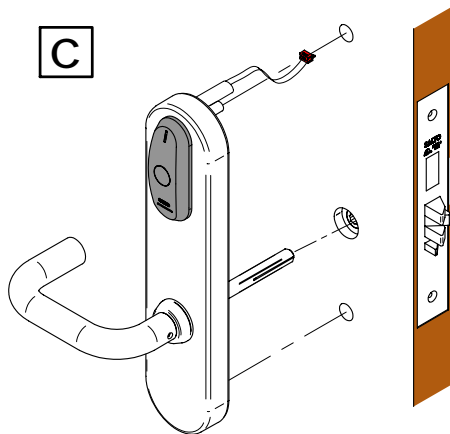
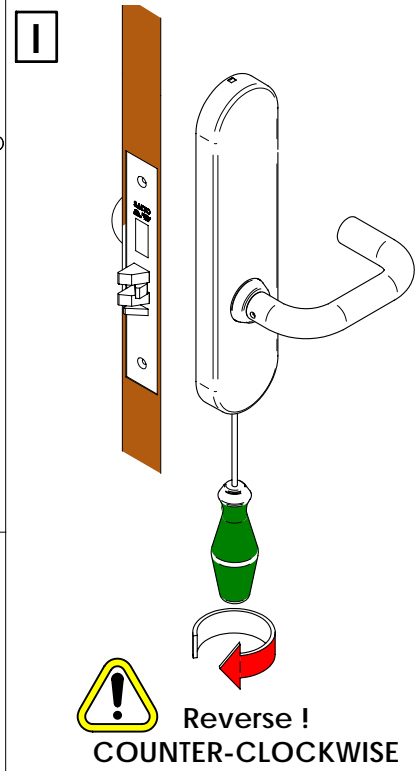
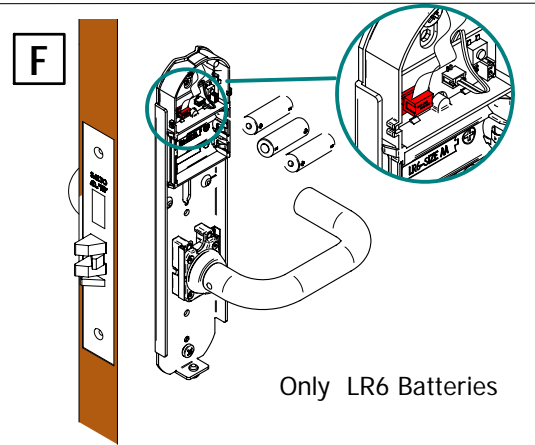
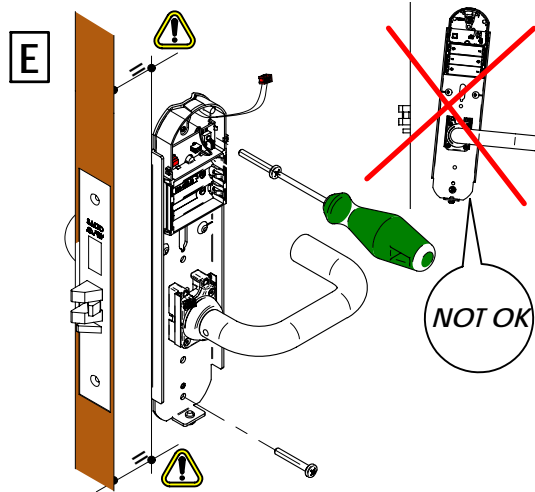
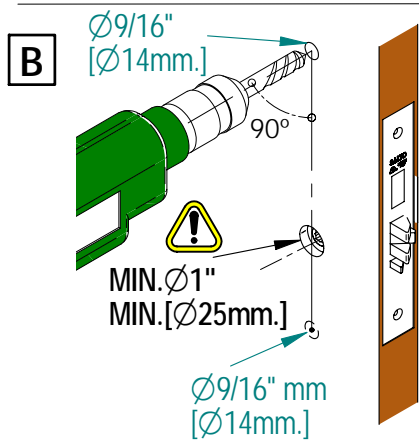
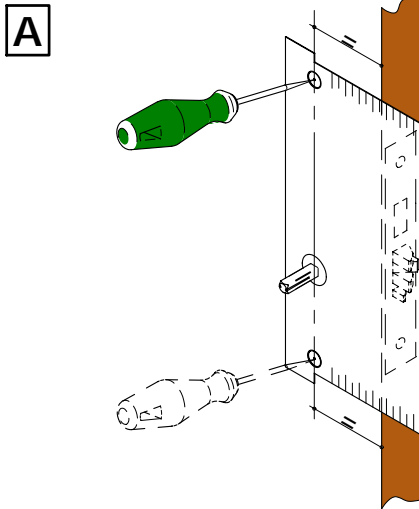
- Reorient or relocate the receiving antenna.
- Increase the separation between the equipment and receiver.
 - Connect the equipment into an outlet on a circuit different from that to which the receiver is connected.
 - Consult the dealer or an experienced radio/TV technician for help.



Do not disconnect !

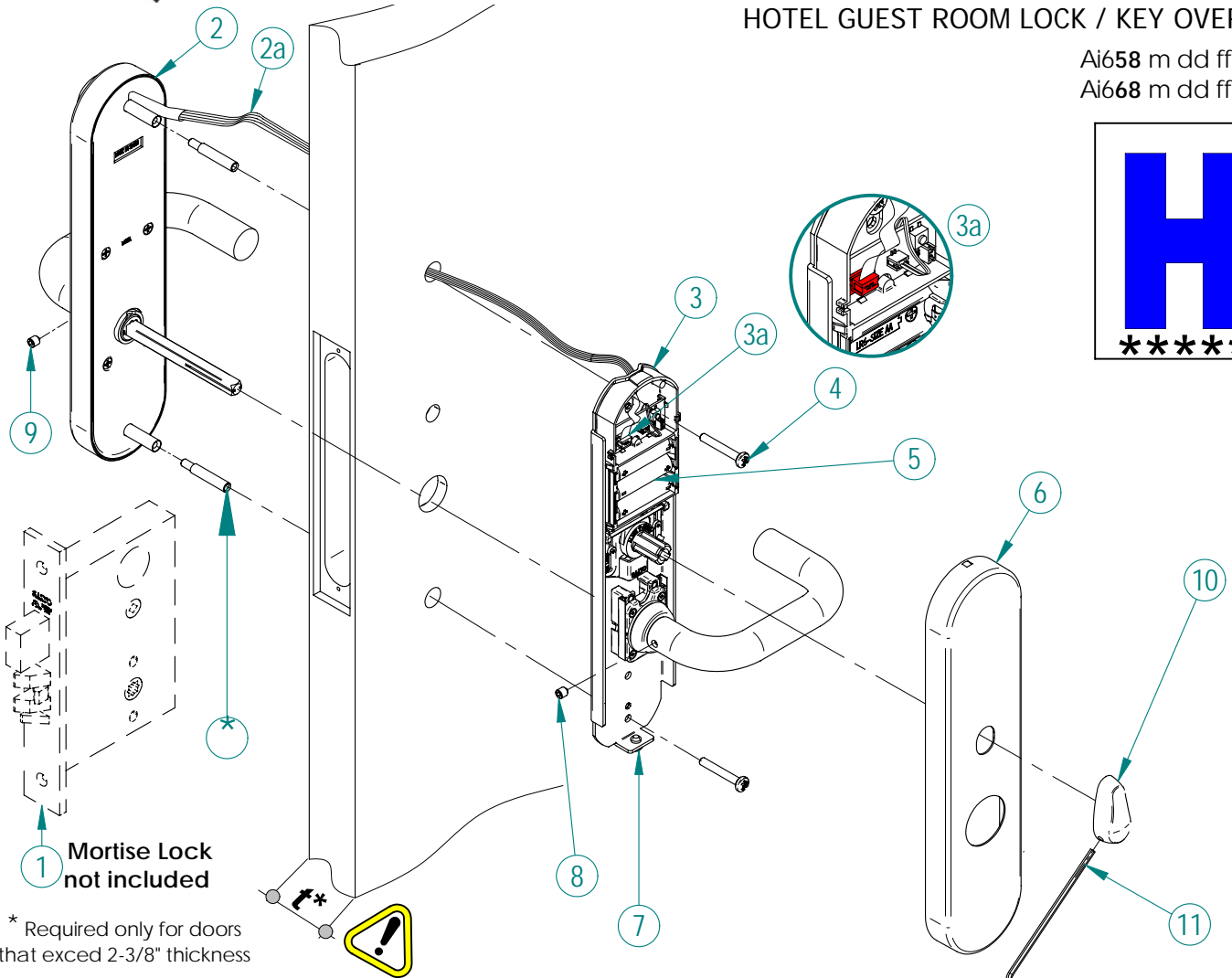
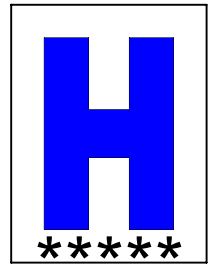


All contents current at time of publication.
SALTO Systems S.L. reserves the right to change availability of any item in this catalog, its design, construction, and/or materials.



HOTEL GUEST ROOM LOCK / KEY OVERRIDE

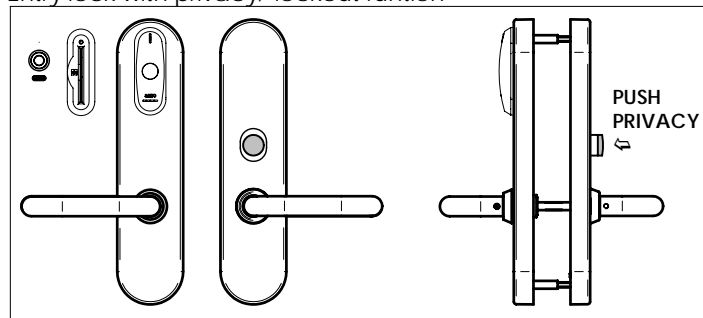
Ai658 m dd ff t s h
Ai668 m dd ff t s h



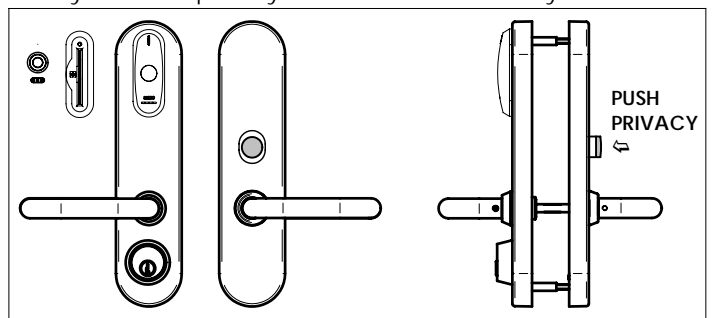
1 Mortise Lock
not included

* Required only for doors
that exceed 2-3/8" thickness

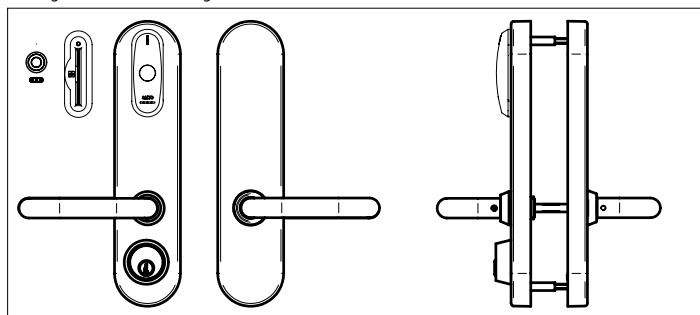
Ai656 m 00 ff t s h
Entry lock with privacy/ lockout funtion



Ai666 m 00 ff t s h
Entry lock with privacy/lockout funtion and key override



Ai660 m 00 ff t s h
Entry lock with key override



Ai668 m dd ff t s h
Hotel guest room lock with key override

