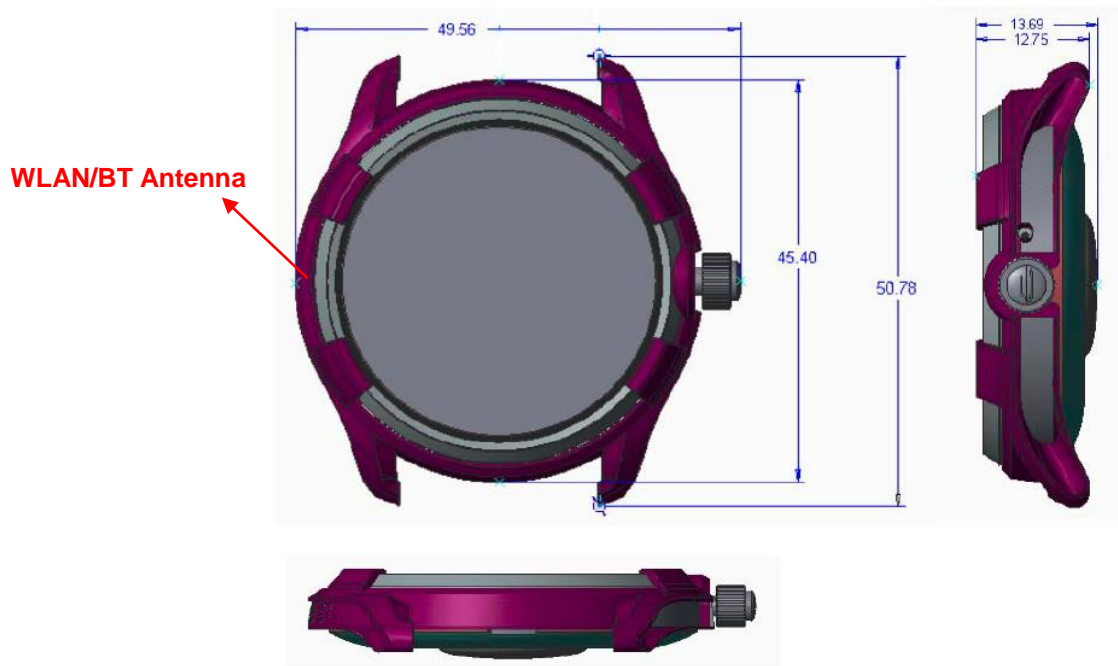


# FCC SAR Test Report

## <Photographs of EUT>



<Antenna Location>



The separation distance for antenna to edge:

| Antenna   | To Top Side (mm) | To Bottom Side (mm) | To Left Side (mm) | To Right Side (mm) |
|-----------|------------------|---------------------|-------------------|--------------------|
| WLAN / BT | 0                | 0                   | 0                 | 0                  |

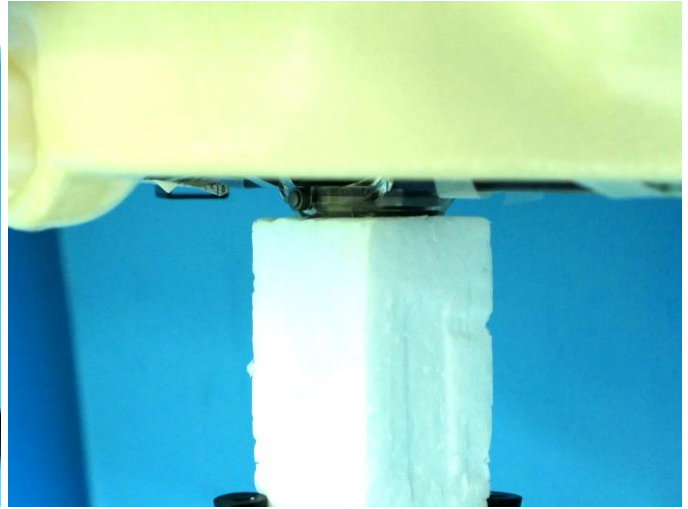
## FCC SAR Test Report

---

### <Photographs of SAR Setup>



**Front Face of EUT with 10 mm Gap  
(Face Mode)**



**Rear Face of EUT with 0 mm Gap  
(Limbs Mode)**