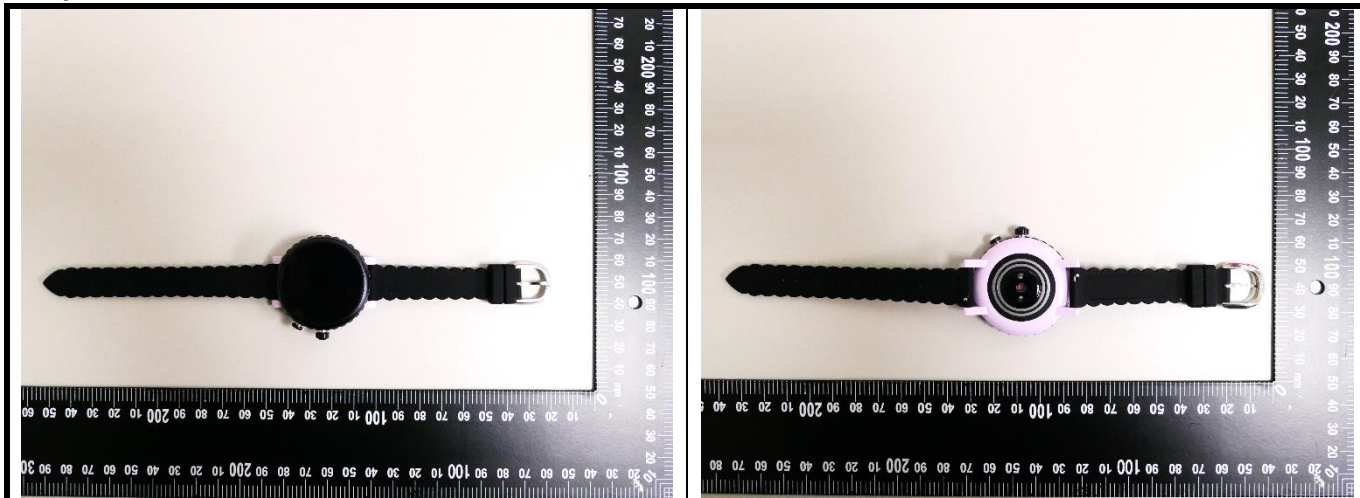


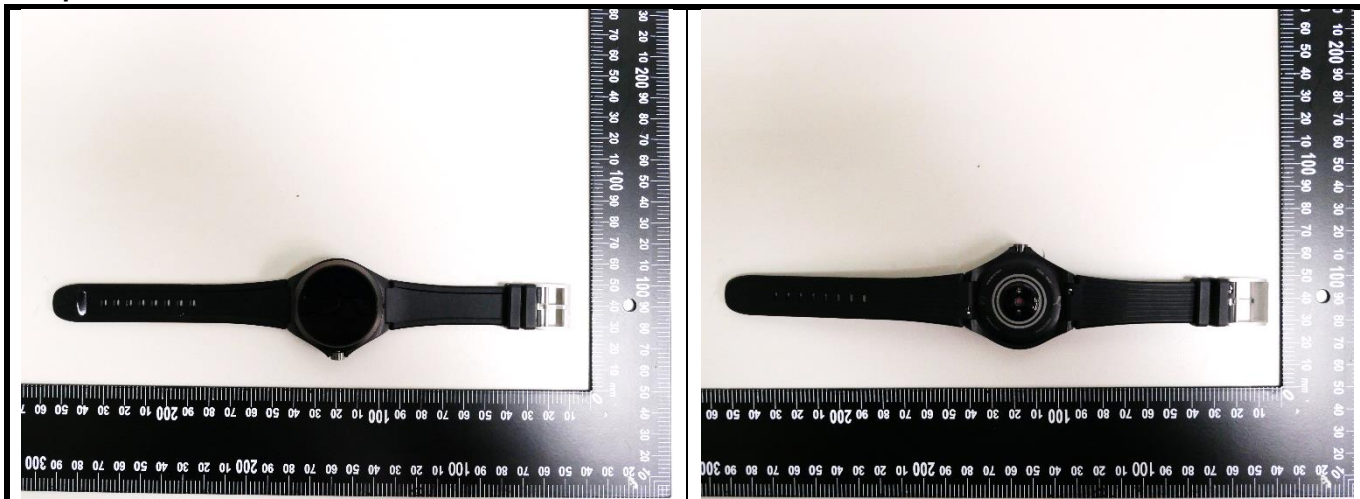
# FCC SAR Test Report

## <Photographs of EUT>

Sample DW9K1

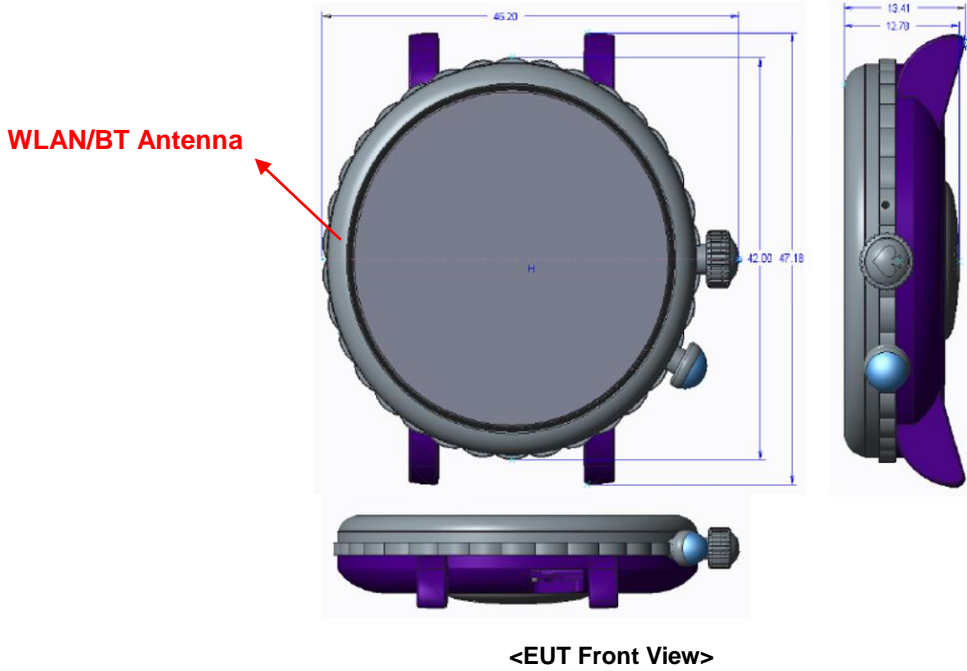


Sample DW9P1



# FCC SAR Test Report

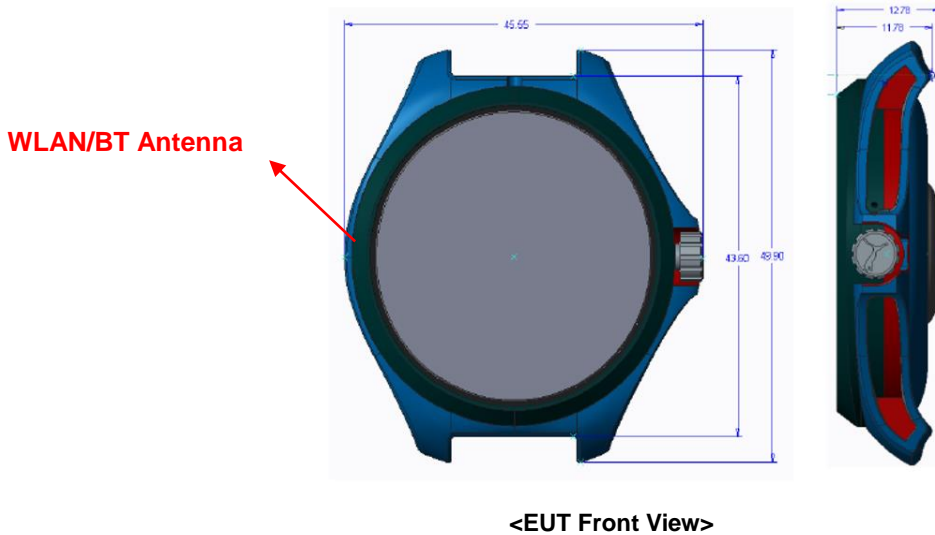
## <Antenna Location> Sample DW9K1



The separation distance for antenna to edge:

Antenna	To Top Side (mm)	To Bottom Side (mm)	To Left Side (mm)	To Right Side (mm)
WLAN / BT	0	0	0	0

## Sample DW9P1



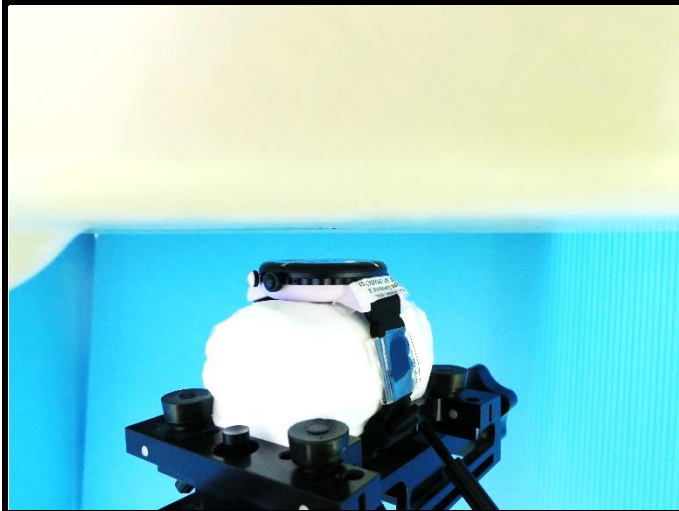
The separation distance for antenna to edge:

Antenna	To Top Side (mm)	To Bottom Side (mm)	To Left Side (mm)	To Right Side (mm)
WLAN / BT	0	0	0	0

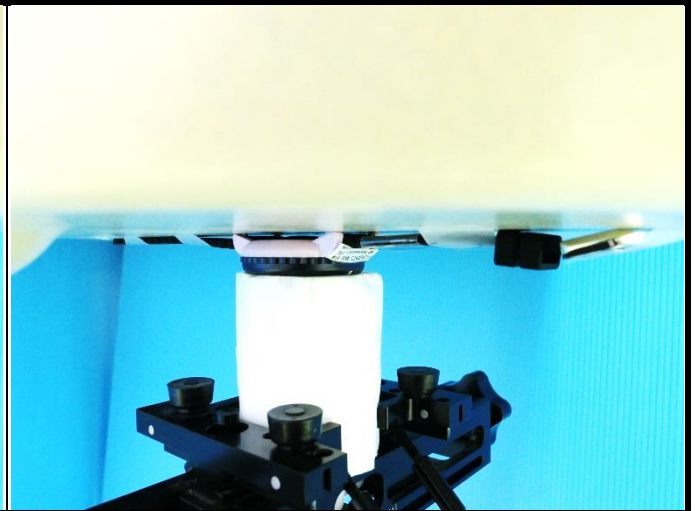
# FCC SAR Test Report

## <Photographs of SAR Setup>

Sample: DW9K1

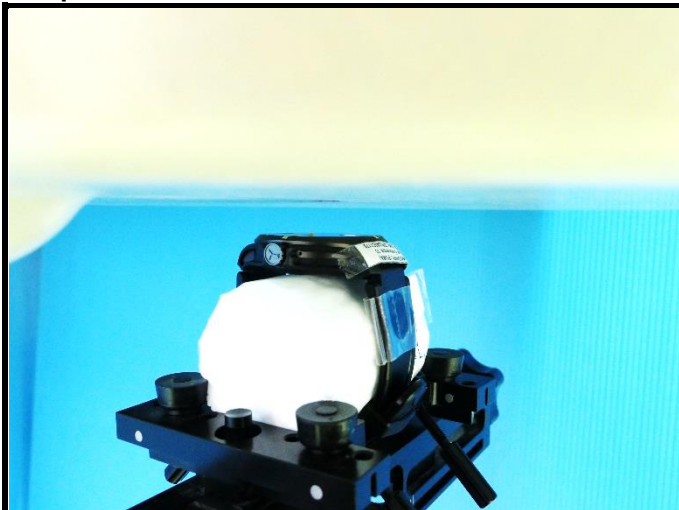


Front Face of EUT at 10 mm



Rear Face of EUT at 0 mm Flat Phantom

Sample: DW9P1



Front Face of EUT at 10 mm



Rear Face of EUT at 0 mm Flat Phantom