

<Photographs of EUT>



EUT A – Front View



EUT A – Rear View

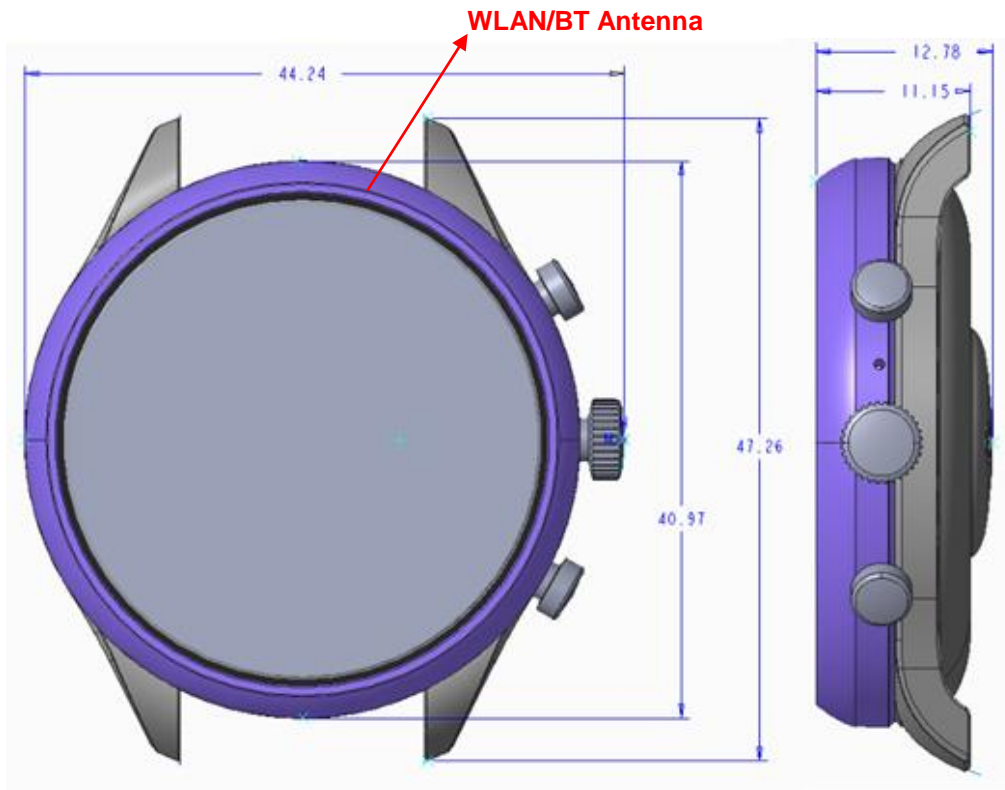


EUT B – Front View



EUT B – Rear View

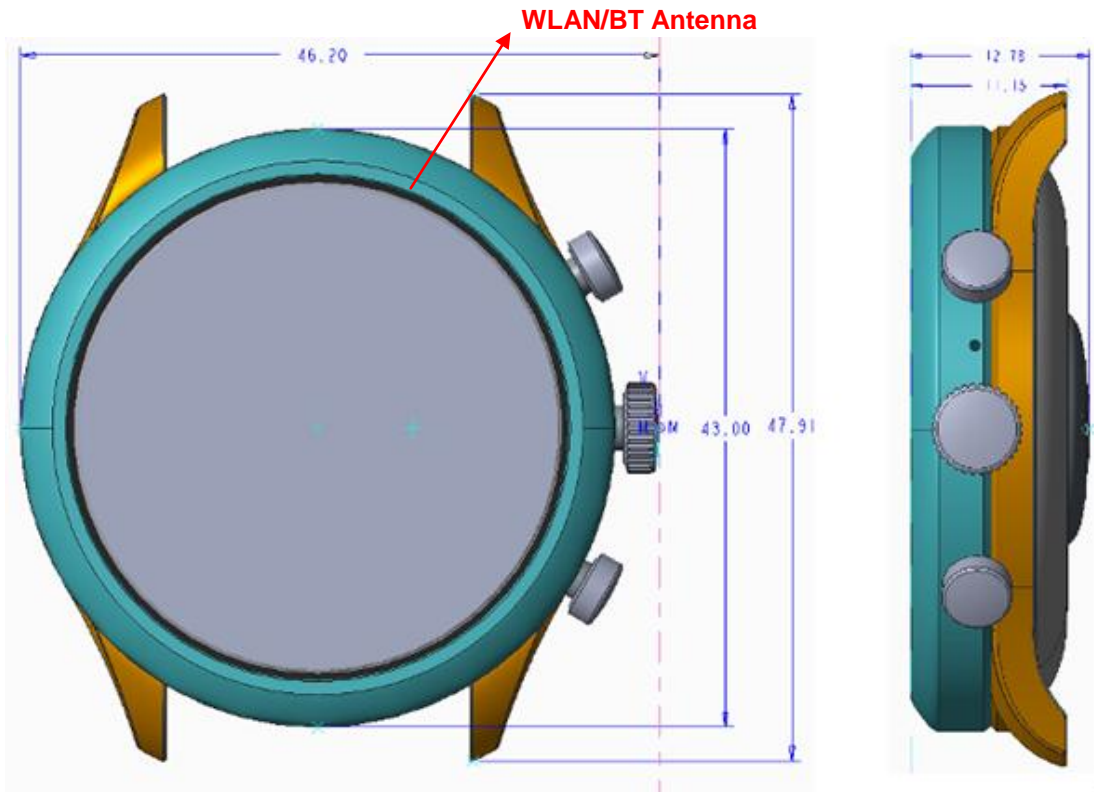
<Antenna Location>



<EUT A Front View>

The separation distance for antenna to edge:

Antenna	To Top Side (mm)	To Bottom Side (mm)	To Left Side (mm)	To Right Side (mm)
WLAN / BT	0	0	0	0



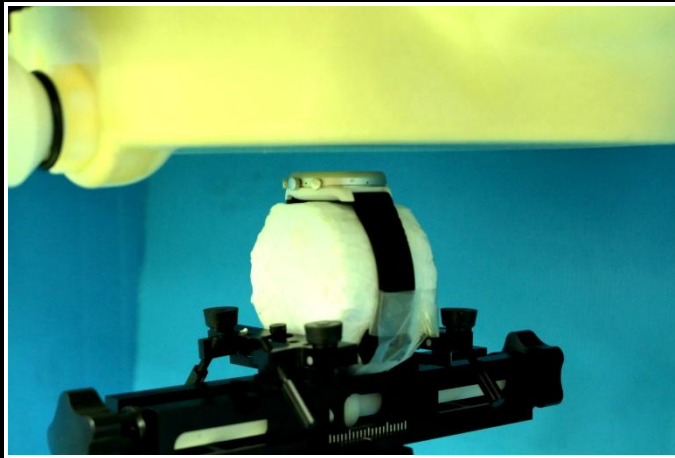
<EUT B Front View>

The separation distance for antenna to edge:

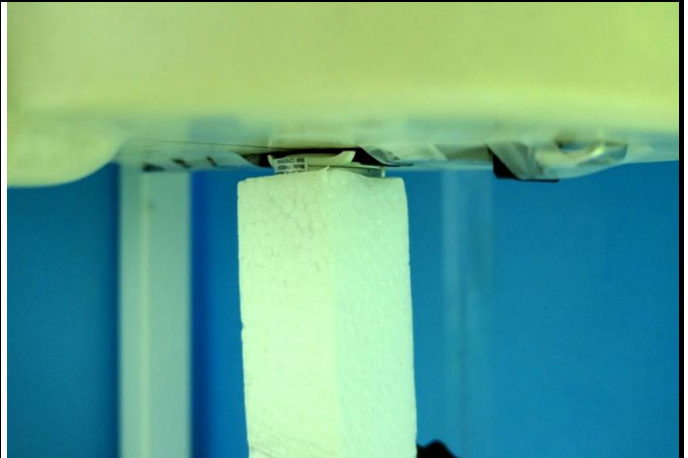
Antenna	To Top Side (mm)	To Bottom Side (mm)	To Left Side (mm)	To Right Side (mm)
WLAN / BT	0	0	0	0

# FCC SAR Test Report

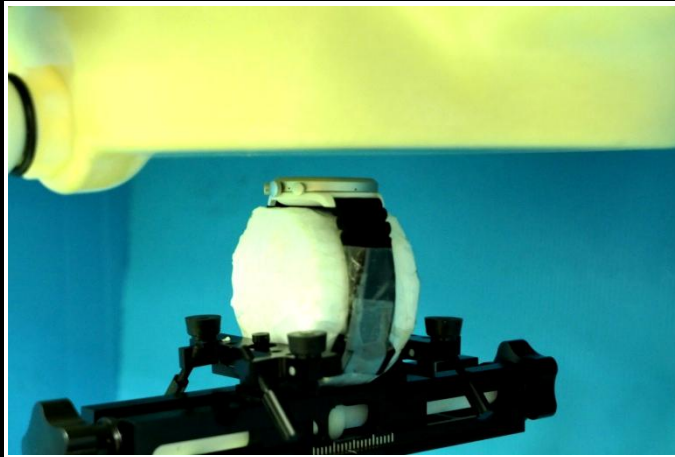
## <Photographs of SAR Setup>



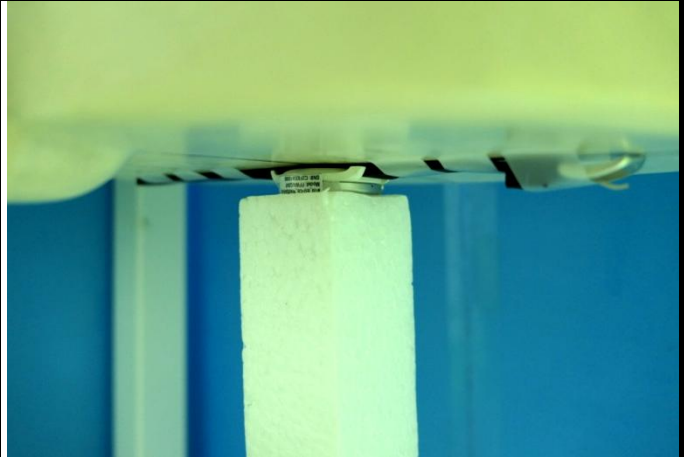
Front Face of EUT A at 10 mm



Rear Face of EUT A at 0 mm



Front Face of EUT B at 10 mm



Rear Face of EUT B at 0 mm