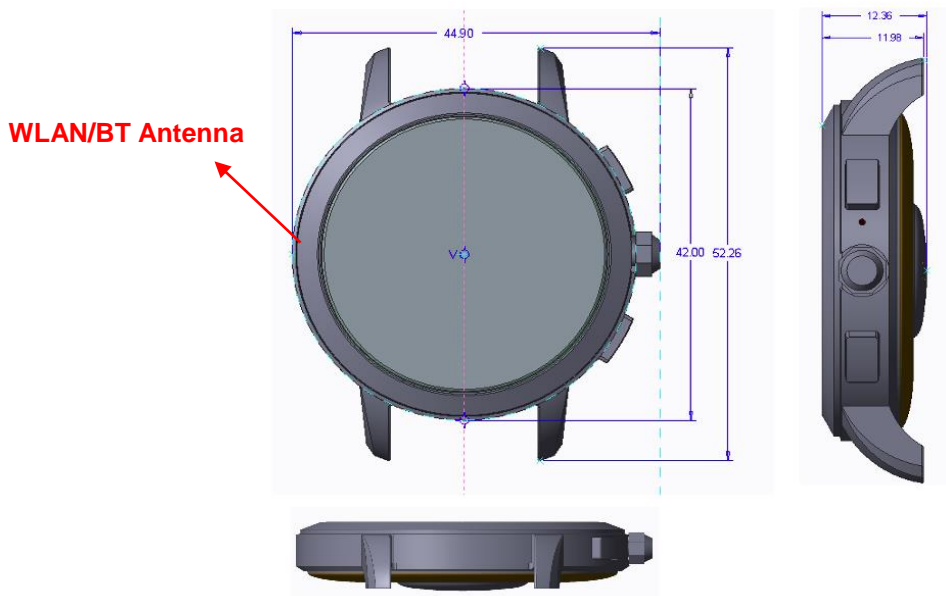


FCC SAR Test Report

<Photographs of EUT>



<Antenna Location>



<EUT Front View>

The separation distance for antenna to edge:

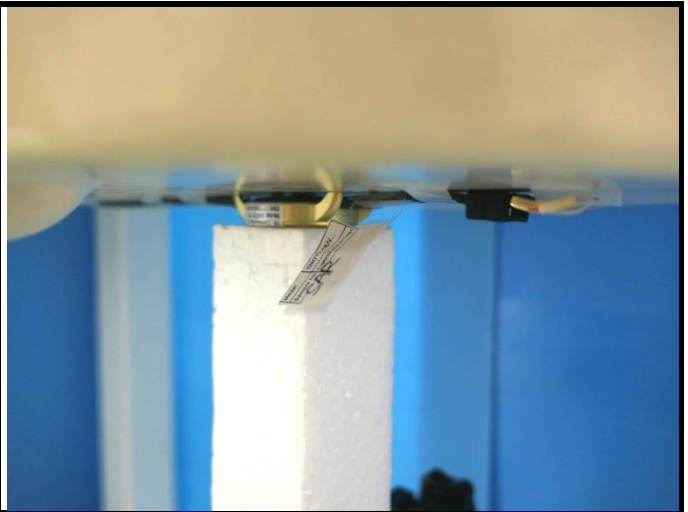
Antenna	To Top Side (mm)	To Bottom Side (mm)	To Left Side (mm)	To Right Side (mm)
WLAN / BT	0	0	0	0

FCC SAR Test Report

<Photographs of SAR Setup>



Front Face of EUT at 10 mm



Rear Face of EUT at 0 mm Flat Phantom