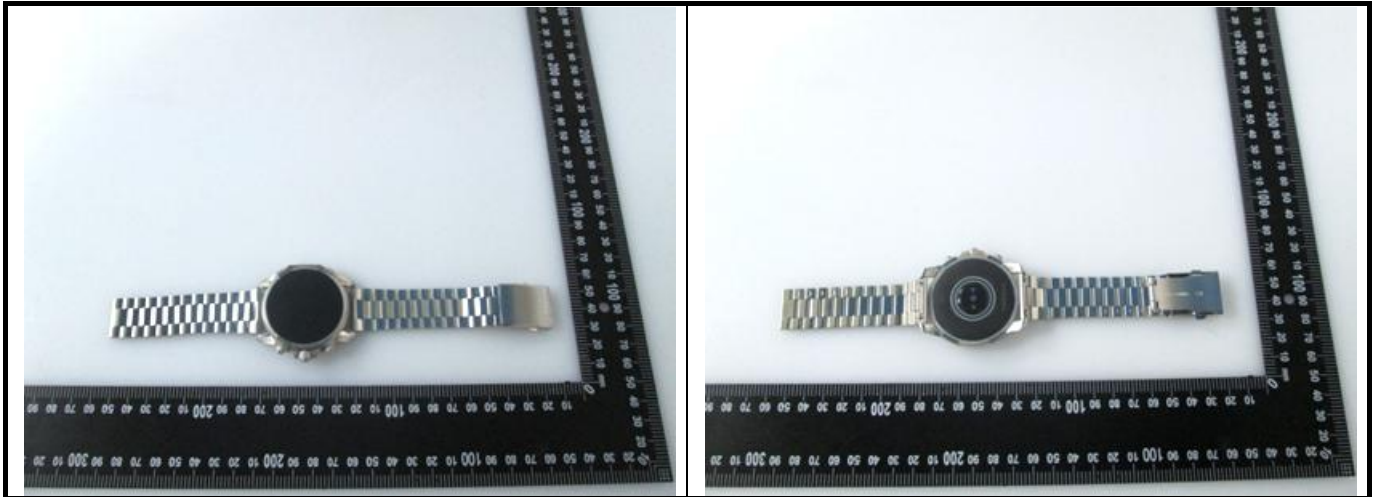
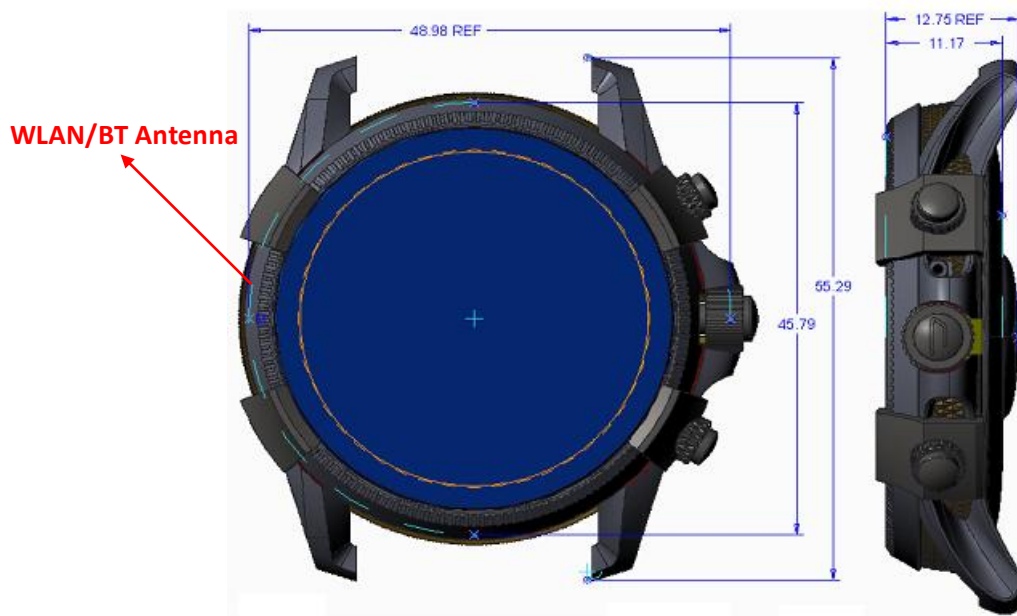


<Photographs of EUT>



<Antenna Location>

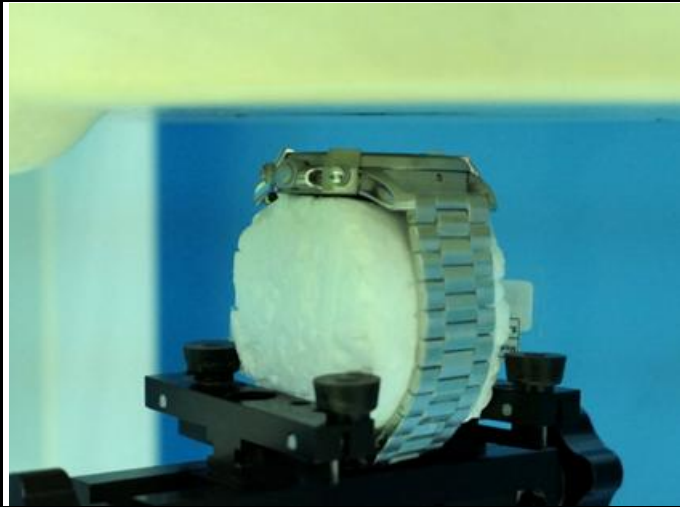
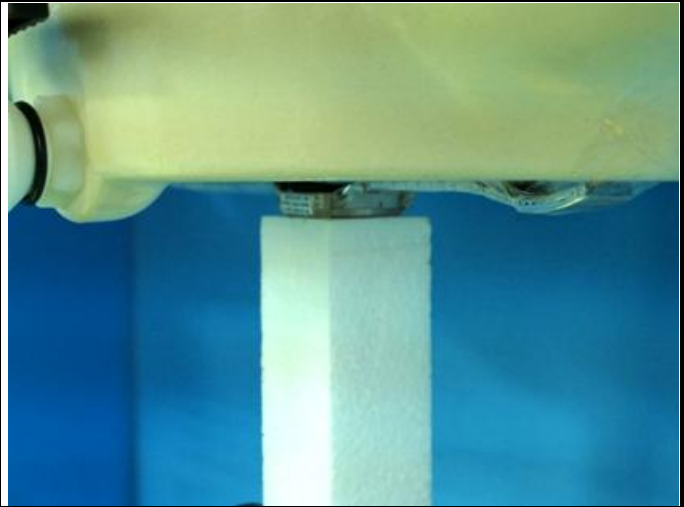
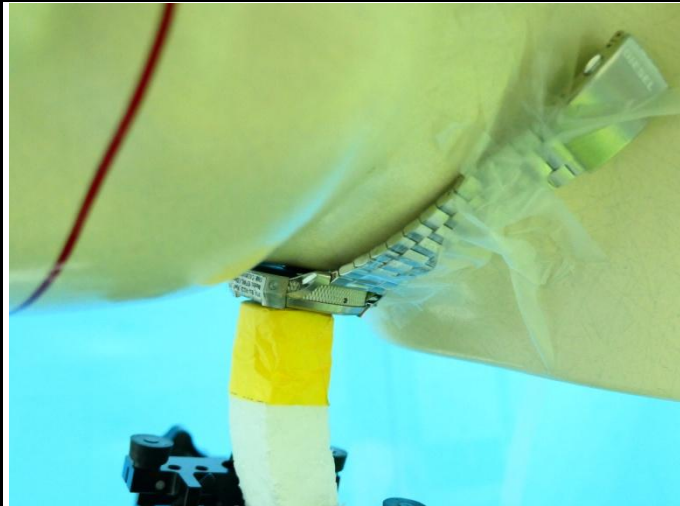


<EUT Front View>

The separation distance for antenna to edge:

Antenna	To Top Side (mm)	To Bottom Side (mm)	To Left Side (mm)	To Right Side (mm)
WLAN / BT	0	0	0	0

<Photographs of SAR Setup>

	
<p>Face - Front Face of EUT at 10 mm</p>	<p>Extremity - Rear Face of EUT at 0 mm (Flat-Phantom)</p>
	
<p>Extremity - Rear Face of EUT at 0 mm (Neck-Phantom)</p>	

Note: There has separation distance between Smart watch and Flat-phantom when tests on rear face. Therefore, we add additional test with neck portion to verify the worst case which has been evaluated.