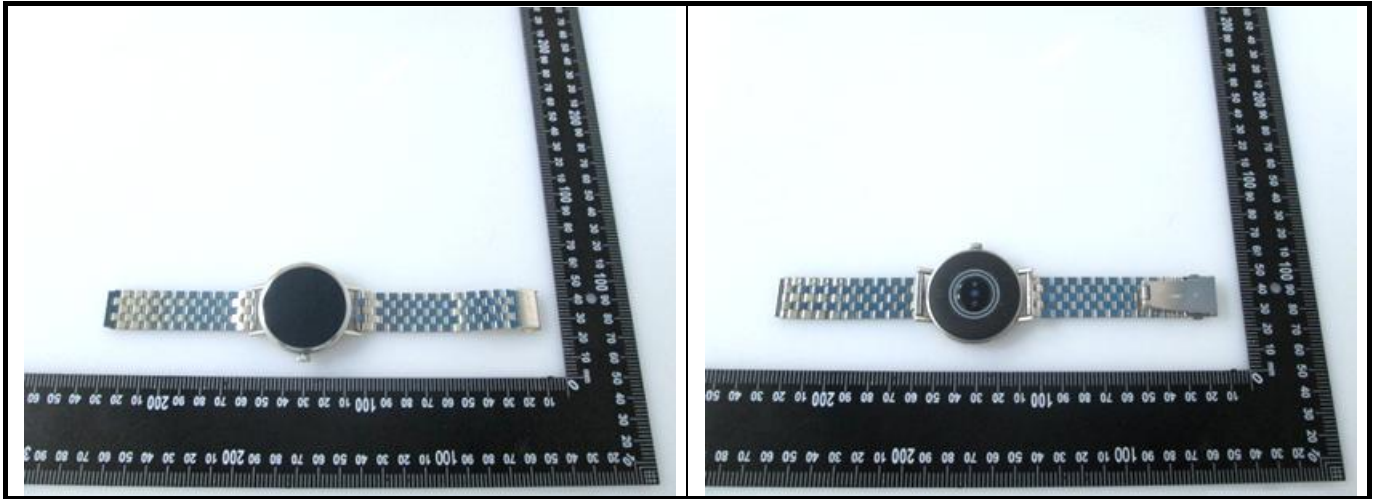
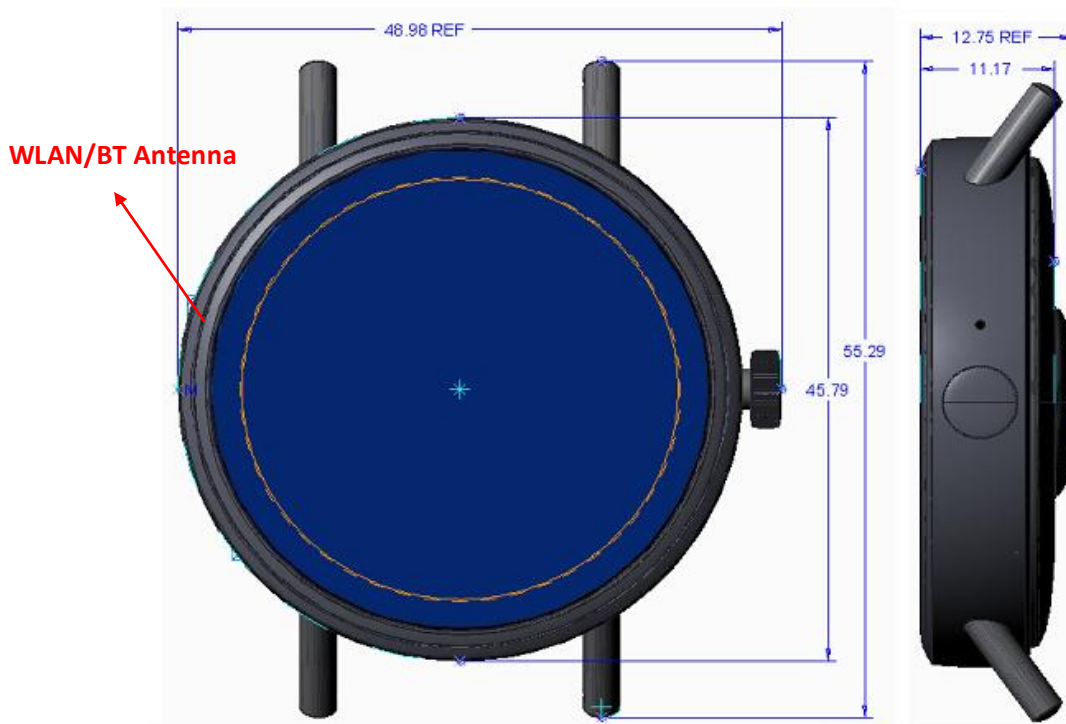


<Photographs of EUT>



<Antenna Location>

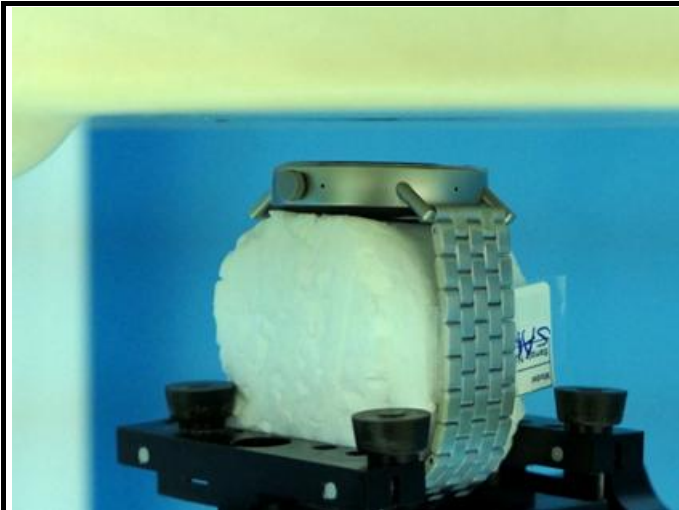


<EUT Front View>

The separation distance for antenna to edge:

Antenna	To Top Side (mm)	To Bottom Side (mm)	To Left Side (mm)	To Right Side (mm)
WLAN / BT	0	0	0	0

<Photographs of SAR Setup>



Face - Front Face of EUT at 10 mm



Extremity - Rear Face of EUT at 0 mm