

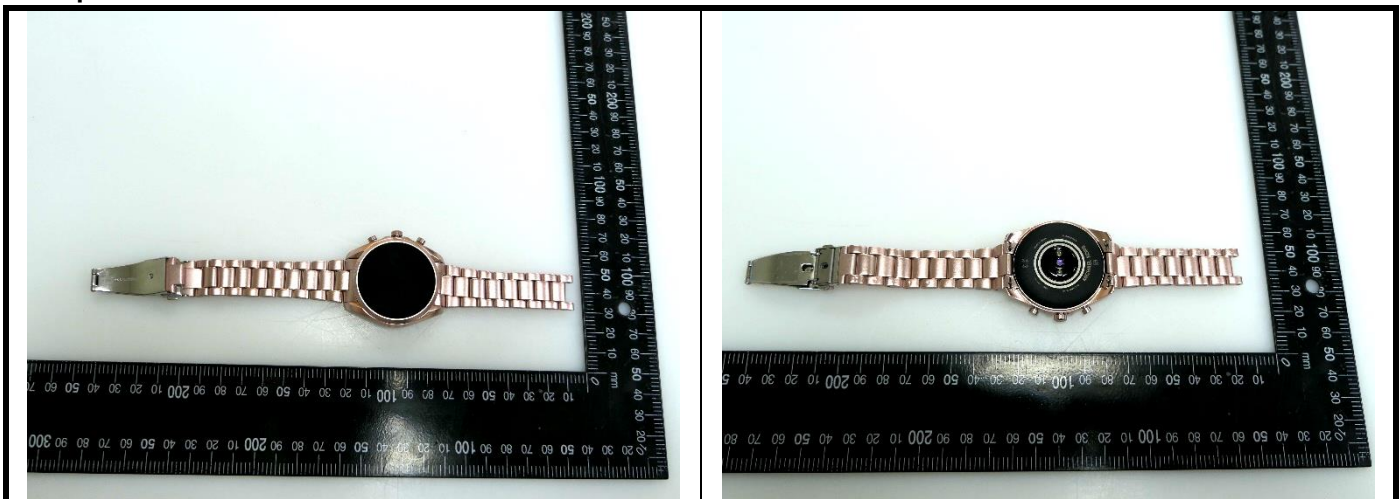
FCC SAR Test Report

<Photographs of EUT>

Sample DW10S1

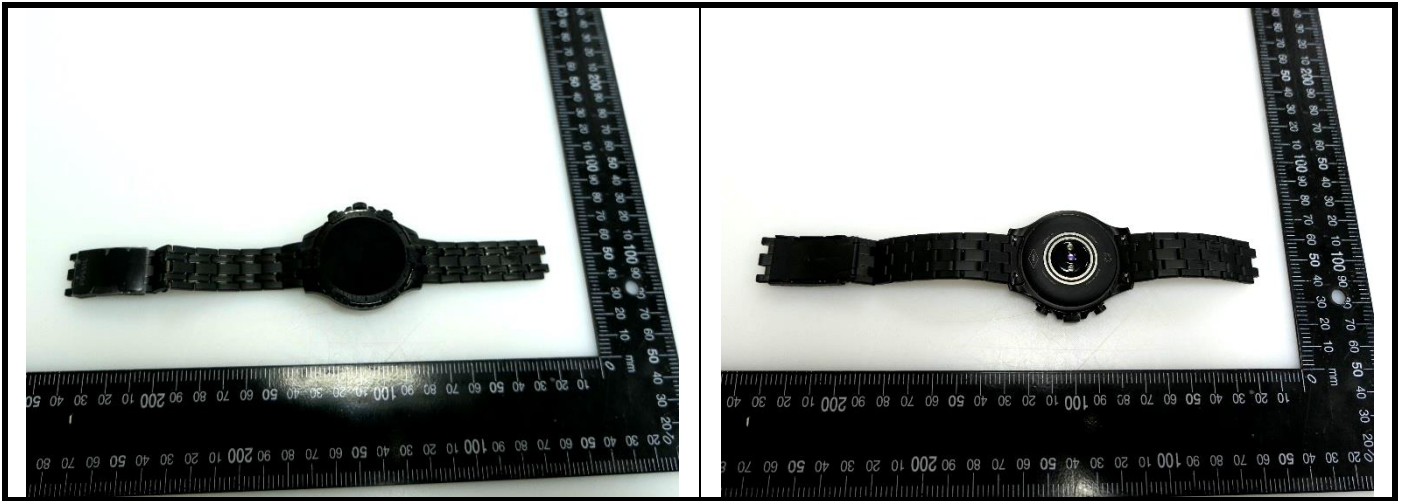


Sample DW10M3

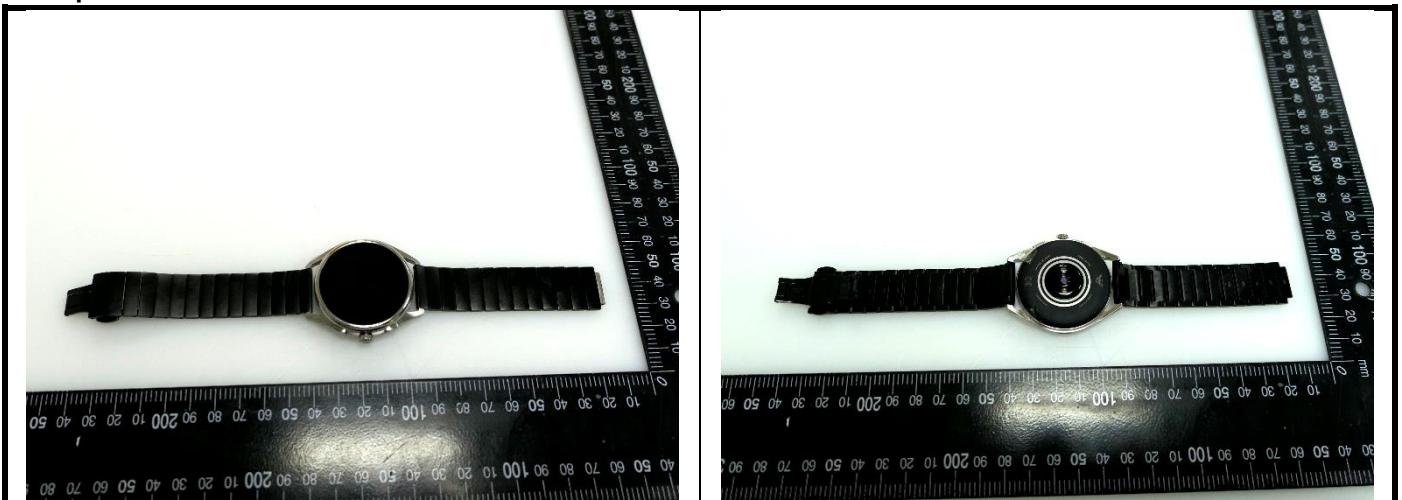


FCC SAR Test Report

Sample DW10F2



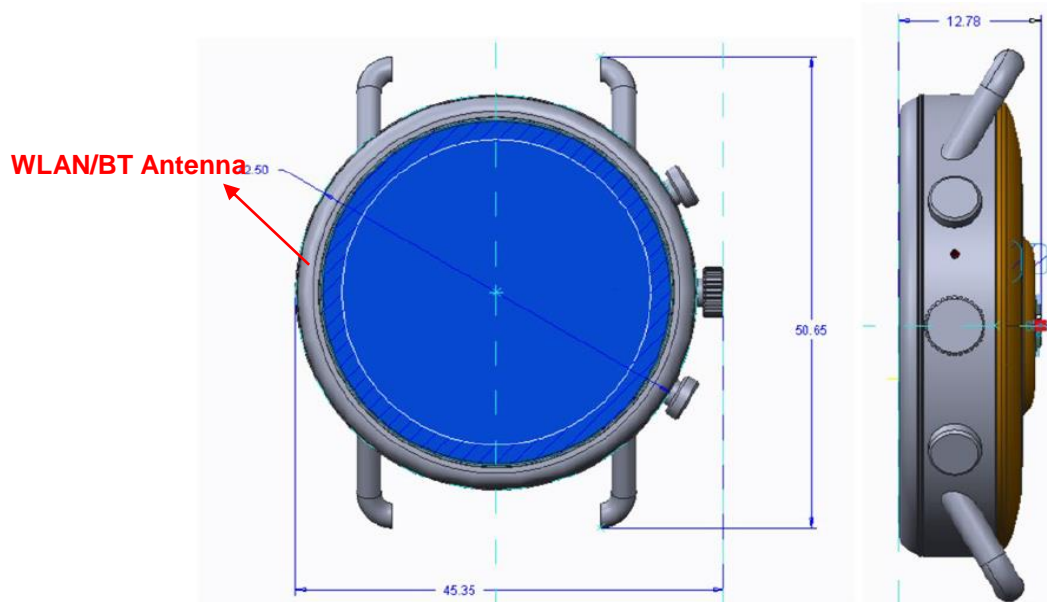
Sample DW10E2



FCC SAR Test Report

<Antenna Location>

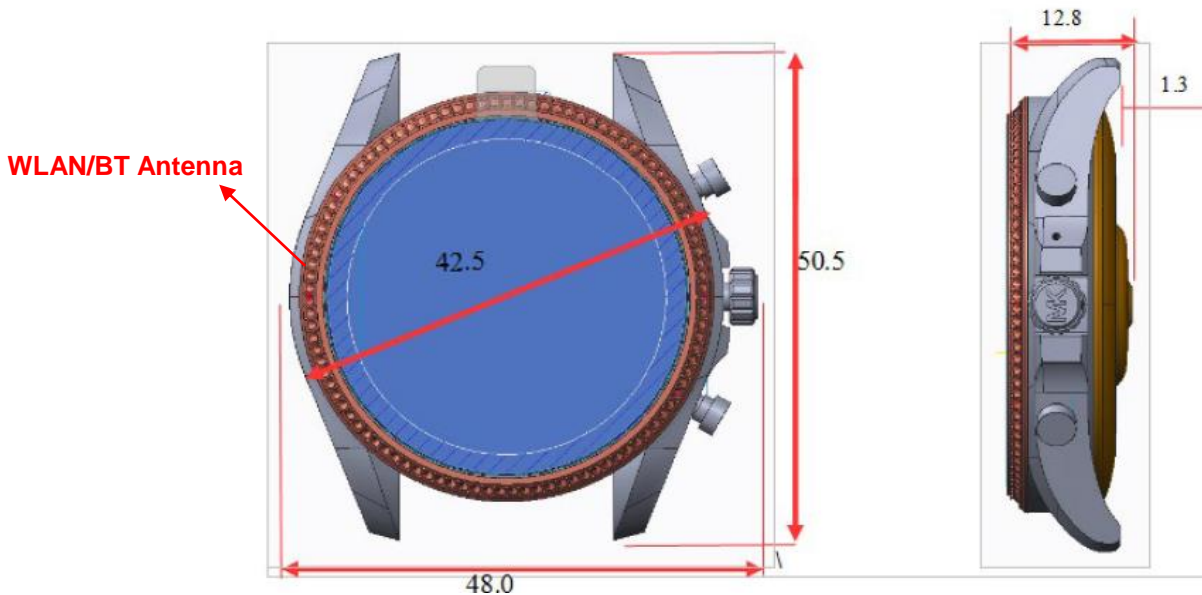
Sample DW10S1



The separation distance for antenna to edge:

Antenna	To Top Side (mm)	To Bottom Side (mm)	To Left Side (mm)	To Right Side (mm)
WLAN / BT	0	0	0	0

Sample DW10M3

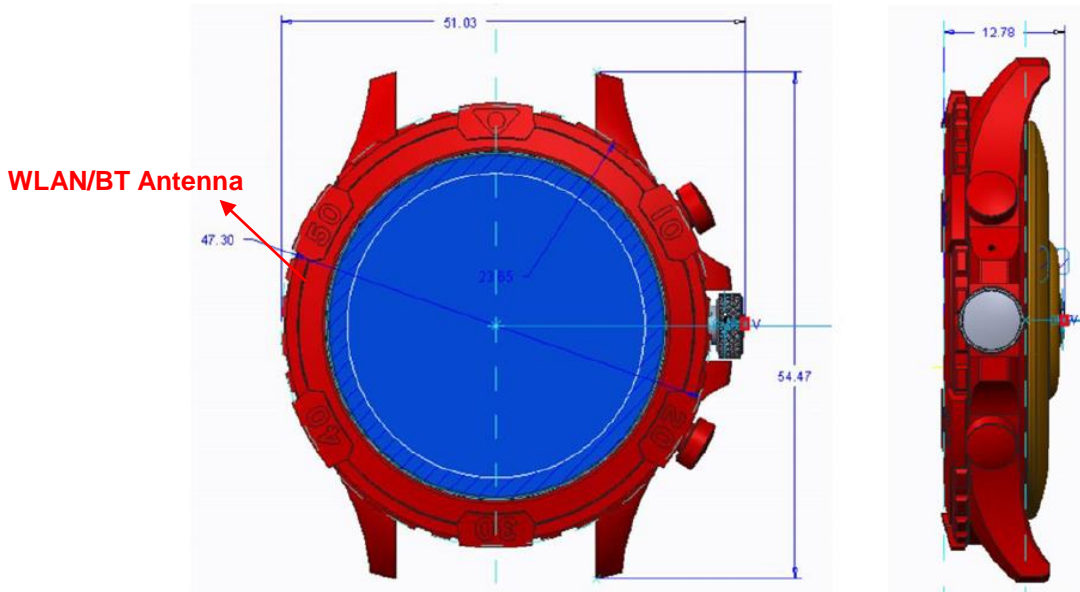


The separation distance for antenna to edge:

Antenna	To Top Side (mm)	To Bottom Side (mm)	To Left Side (mm)	To Right Side (mm)
WLAN / BT	0	0	0	0

FCC SAR Test Report

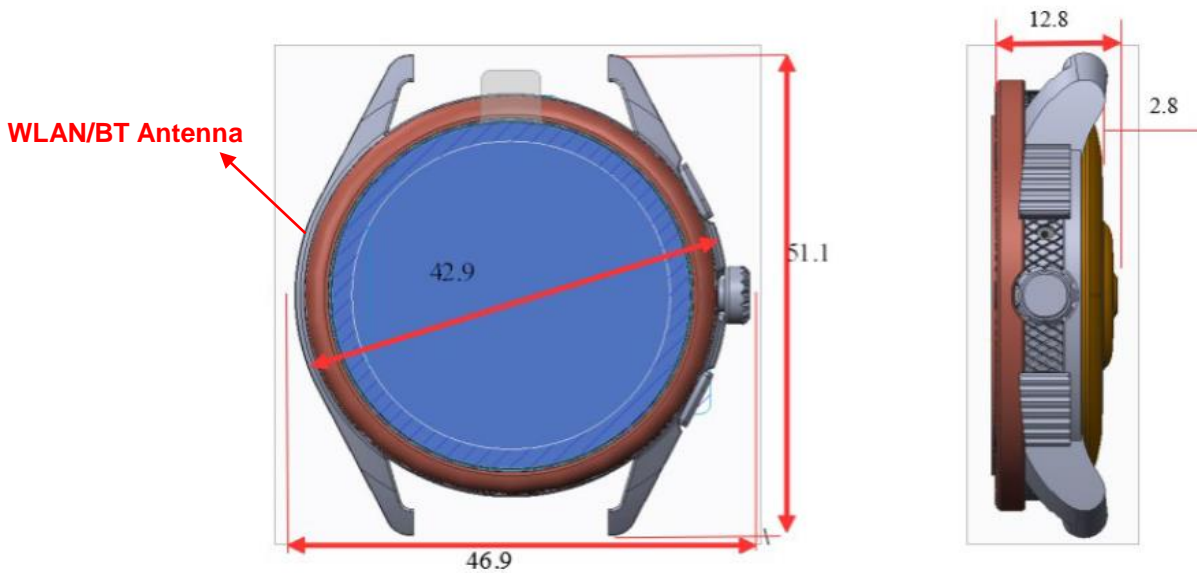
Sample DW10F2



The separation distance for antenna to edge:

Antenna	To Top Side (mm)	To Bottom Side (mm)	To Left Side (mm)	To Right Side (mm)
WLAN / BT	0	0	0	0

Sample DW10E2



The separation distance for antenna to edge:

Antenna	To Top Side (mm)	To Bottom Side (mm)	To Left Side (mm)	To Right Side (mm)
WLAN / BT	0	0	0	0

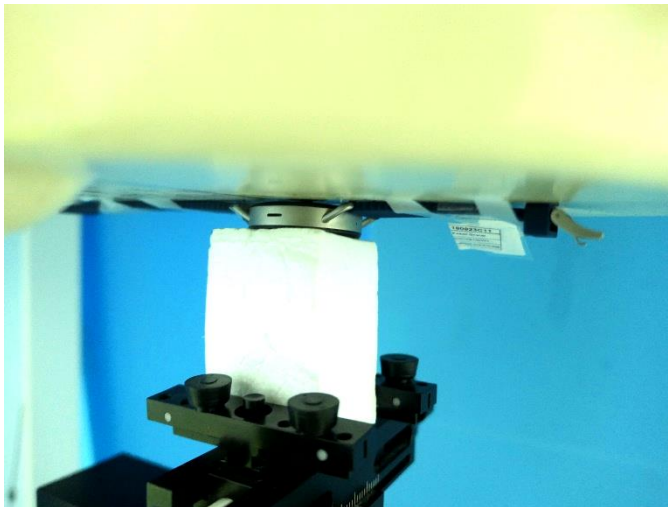
FCC SAR Test Report

<Photographs of SAR Setup>

Sample: DW10S1

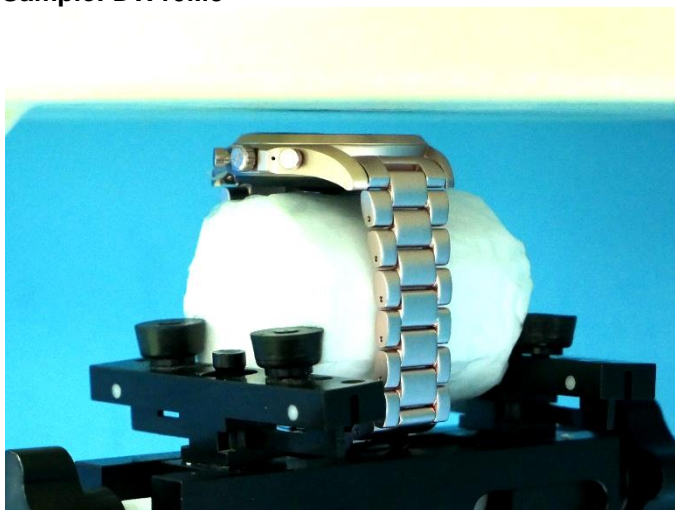


Front Face of EUT with 10 mm Gap
(Face Mode)

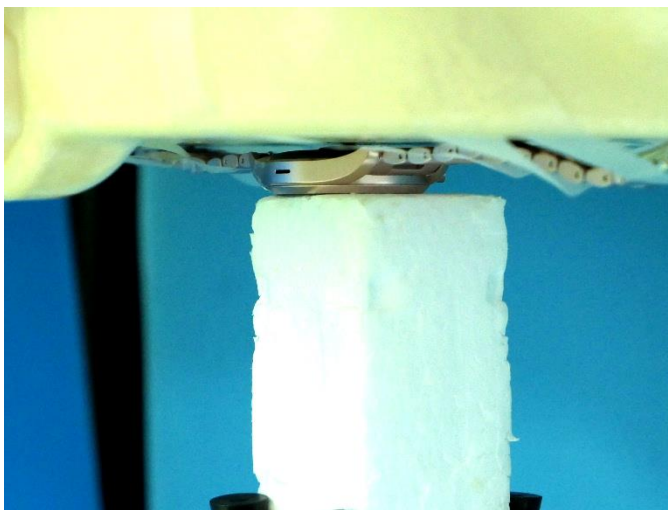


Rear Face of EUT with 0 mm Gap
(Limbs Mode)

Sample: DW10M3



Front Face of EUT with 10 mm Gap
(Face Mode)



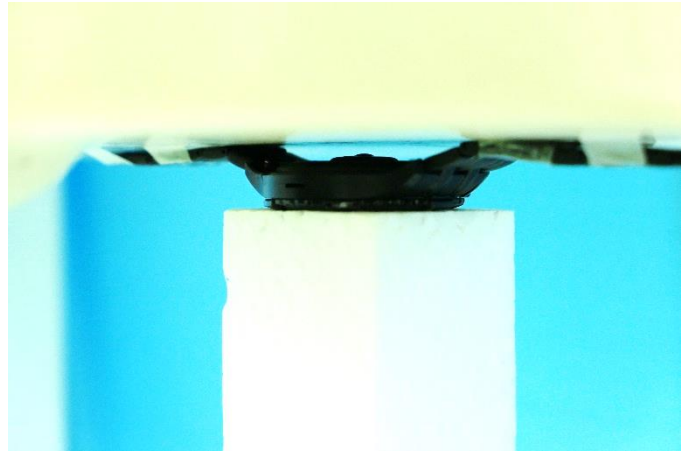
Rear Face of EUT with 0 mm Gap
(Limbs Mode)

FCC SAR Test Report

Sample: DW10F2

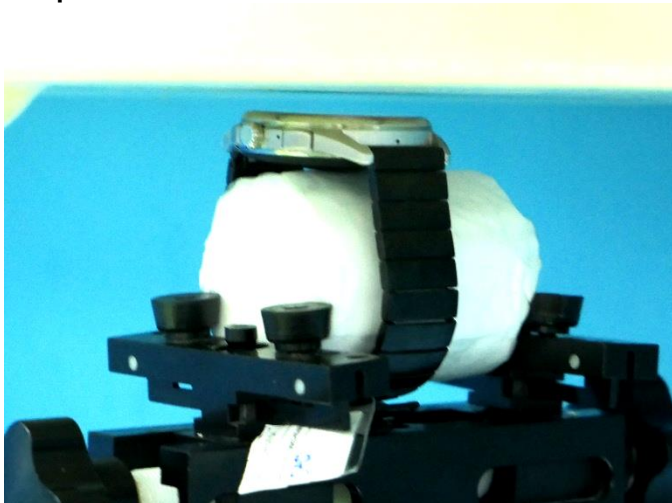


Front Face of EUT with 10 mm Gap
(Face Mode)

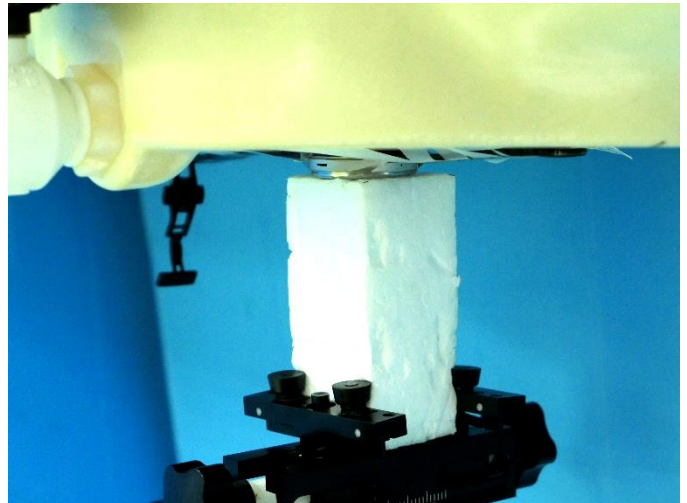


Rear Face of EUT with 0 mm Gap
(Limbs Mode)

Sample: DW10E2



Front Face of EUT with 10 mm Gap
(Face Mode)



Rear Face of EUT with 0 mm Gap
(Limbs Mode)