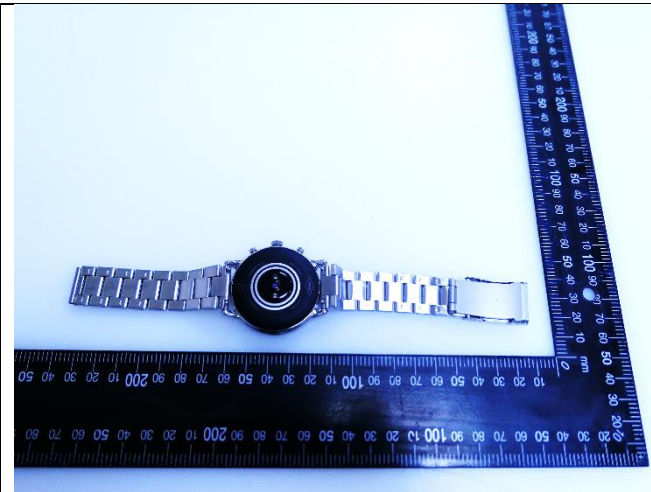
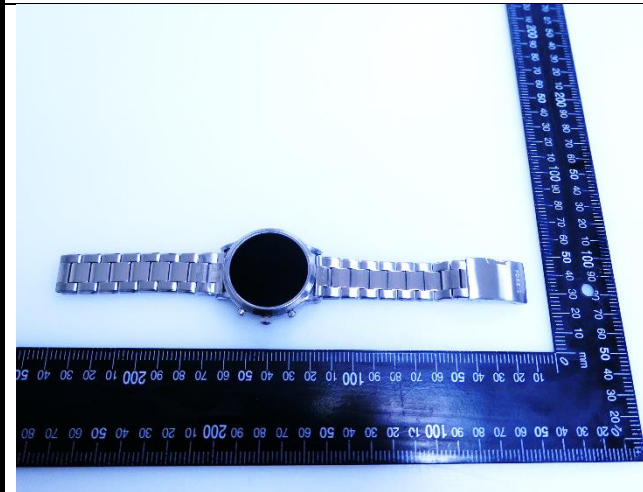


FCC SAR Test Report

<Photographs of EUT>

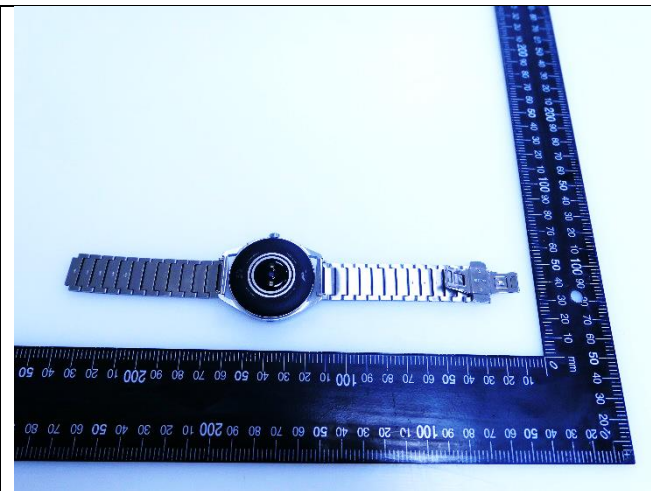
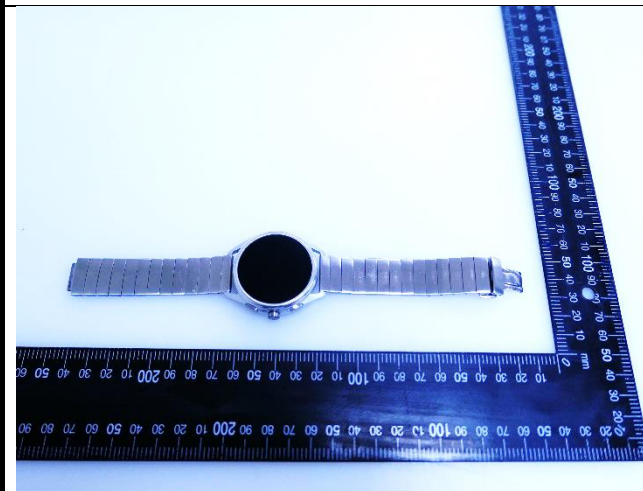
DW10F1



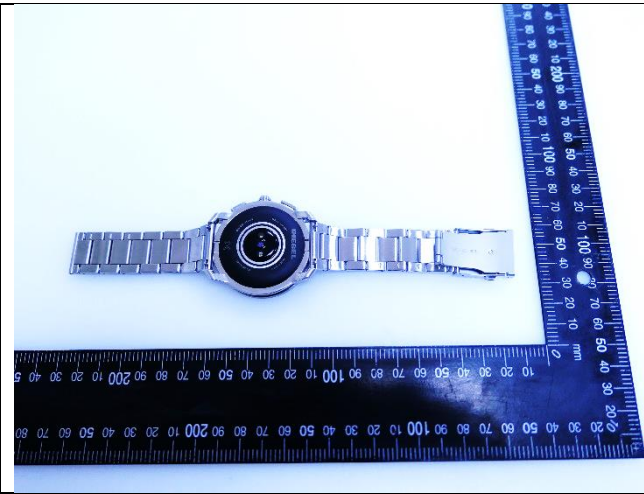
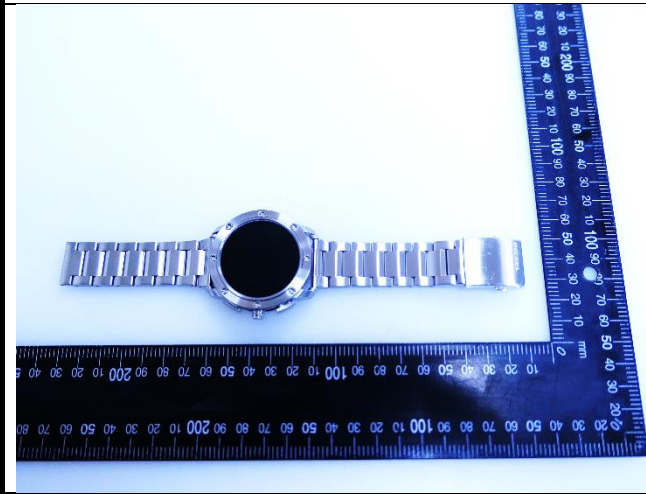
DW10M2



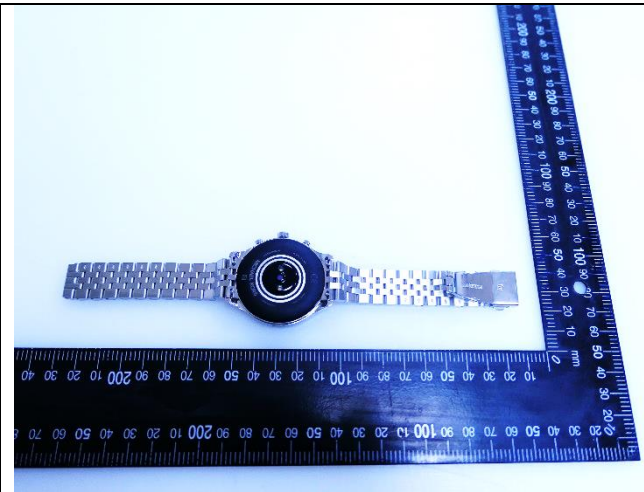
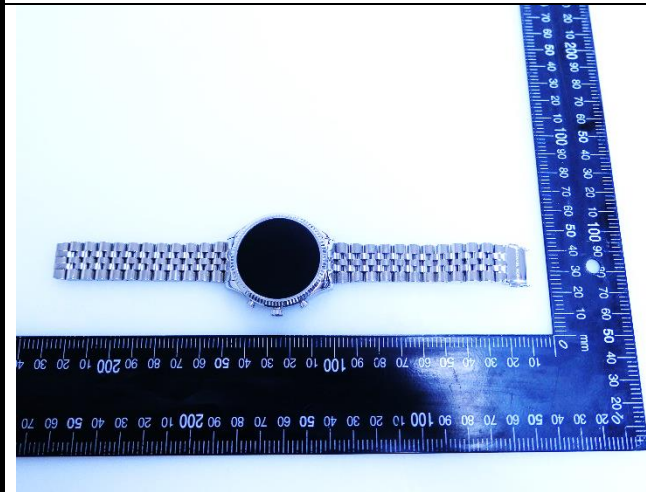
DW10E1



DW10D1



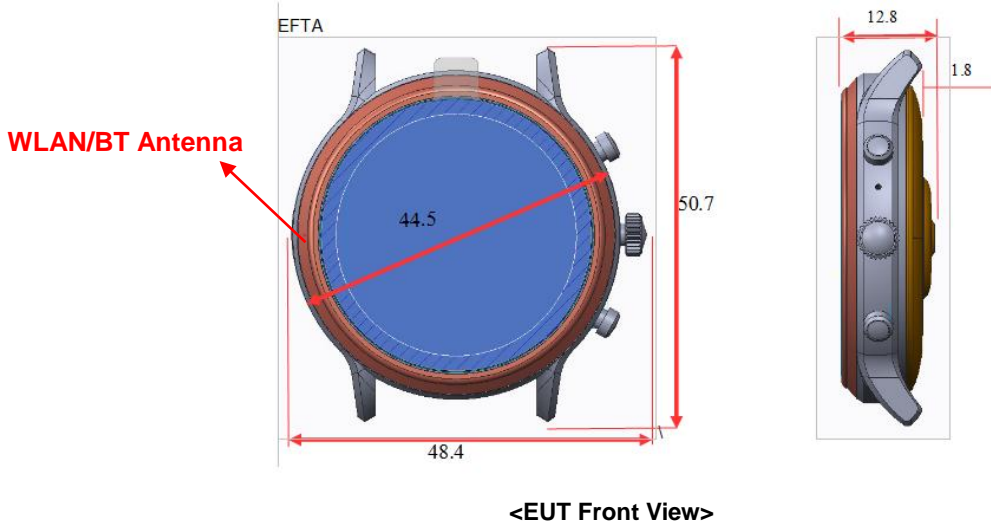
DW10M1



FCC SAR Test Report

<Antenna Location>

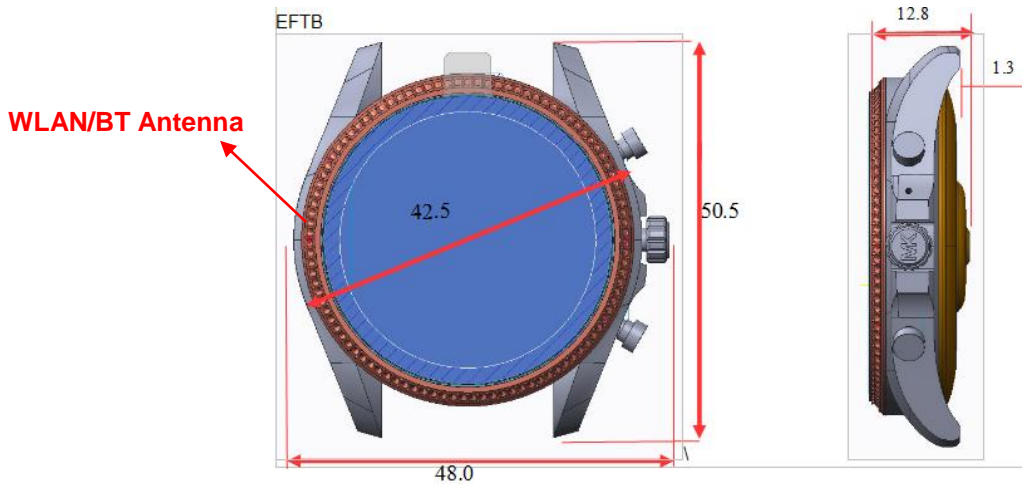
DW10F1



The separation distance for antenna to edge:

Antenna	To Top Side (mm)	To Bottom Side (mm)	To Left Side (mm)	To Right Side (mm)
WLAN / BT	0	0	0	0

DW10M2

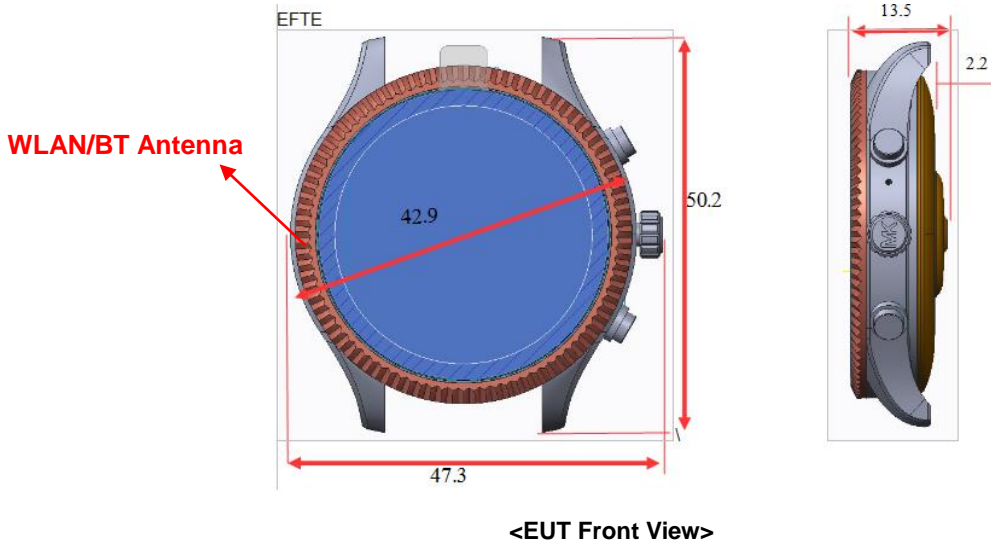


The separation distance for antenna to edge:

Antenna	To Top Side (mm)	To Bottom Side (mm)	To Left Side (mm)	To Right Side (mm)
WLAN / BT	0	0	0	0

FCC SAR Test Report

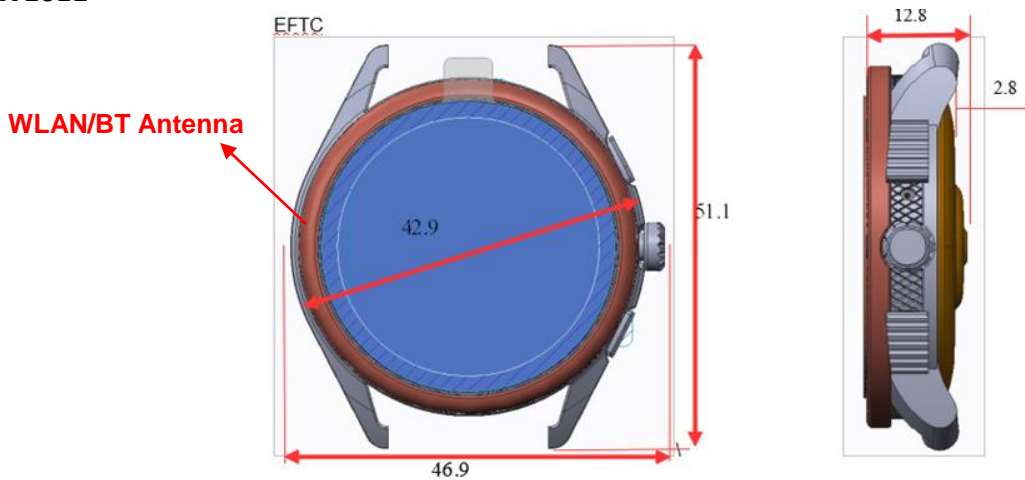
DW10M1



The separation distance for antenna to edge:

Antenna	To Top Side (mm)	To Bottom Side (mm)	To Left Side (mm)	To Right Side (mm)
WLAN / BT	0	0	0	0

DW10E1

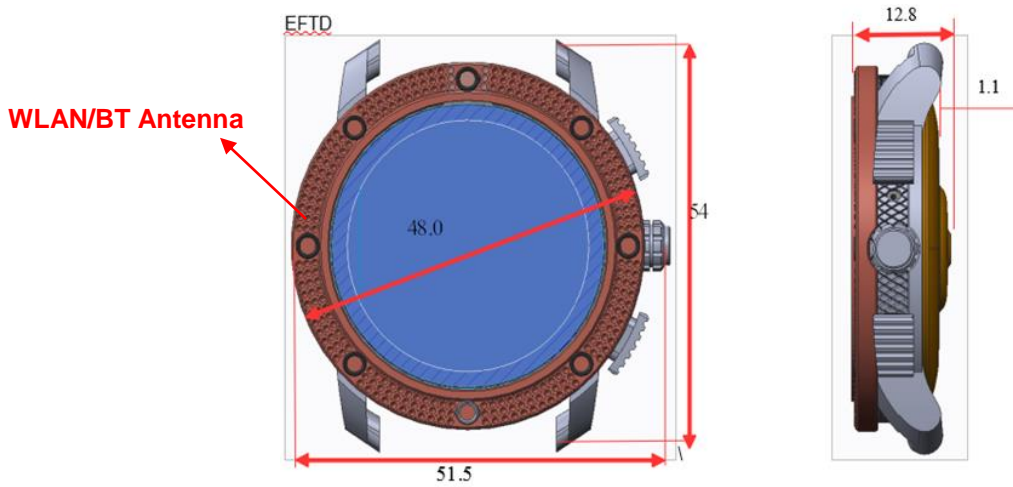


The separation distance for antenna to edge:

Antenna	To Top Side (mm)	To Bottom Side (mm)	To Left Side (mm)	To Right Side (mm)
WLAN / BT	0	0	0	0

FCC SAR Test Report

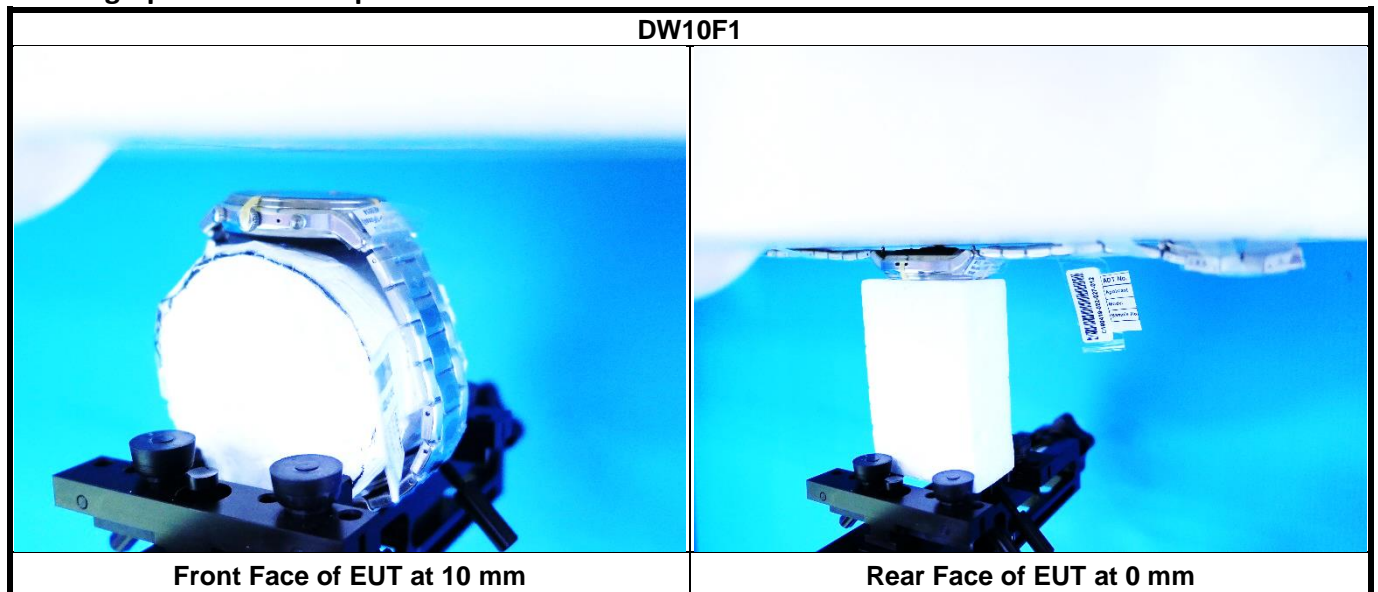
DW10D1



The separation distance for antenna to edge:

Antenna	To Top Side (mm)	To Bottom Side (mm)	To Left Side (mm)	To Right Side (mm)
WLAN / BT	0	0	0	0

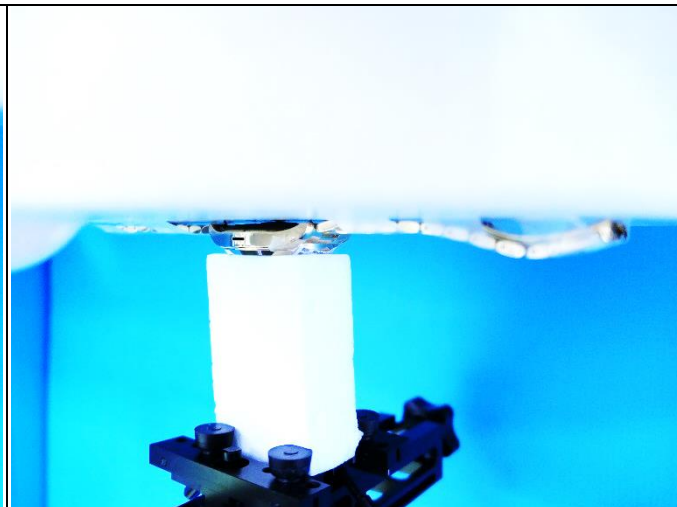
<Photographs of SAR Setup>



DW10M2

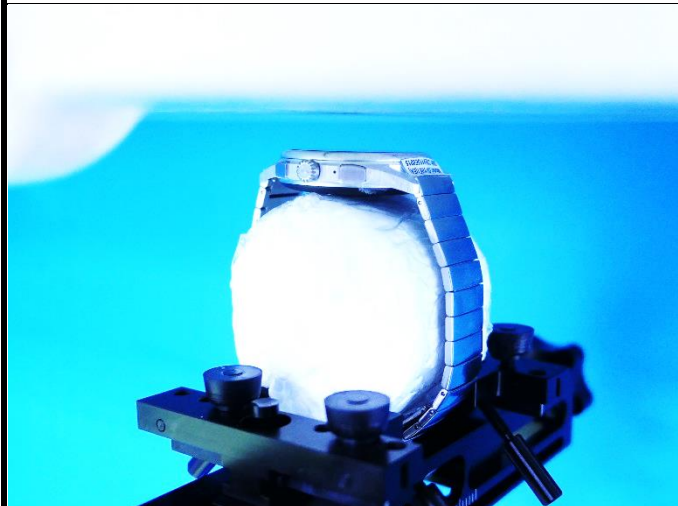


Front Face of EUT at 10 mm

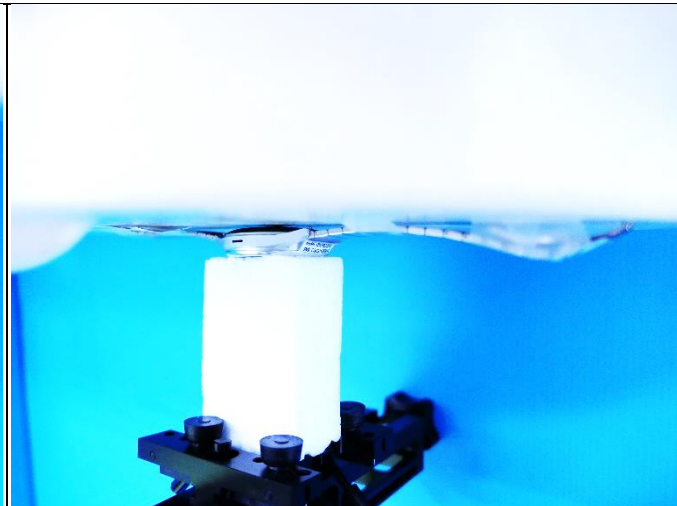


Rear Face of EUT at 0 mm

DW10E1



Front Face of EUT at 10 mm

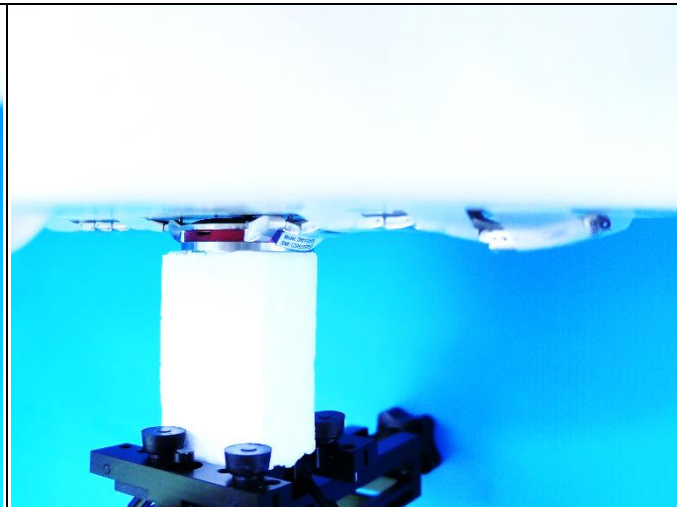


Rear Face of EUT at 0 mm

DW10D1

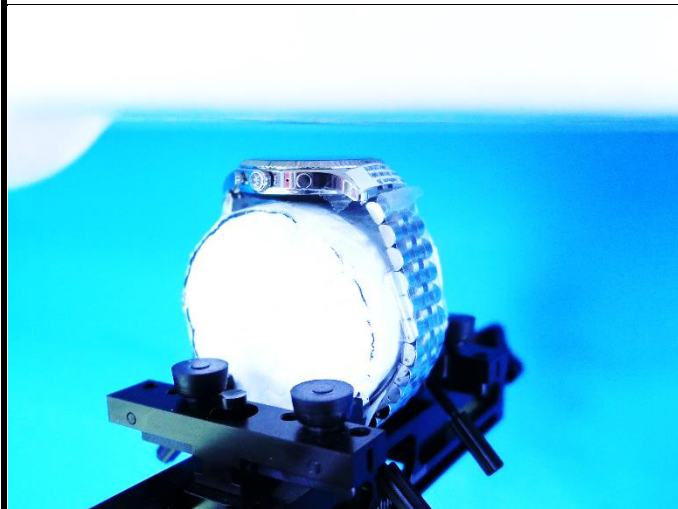


Front Face of EUT at 10 mm

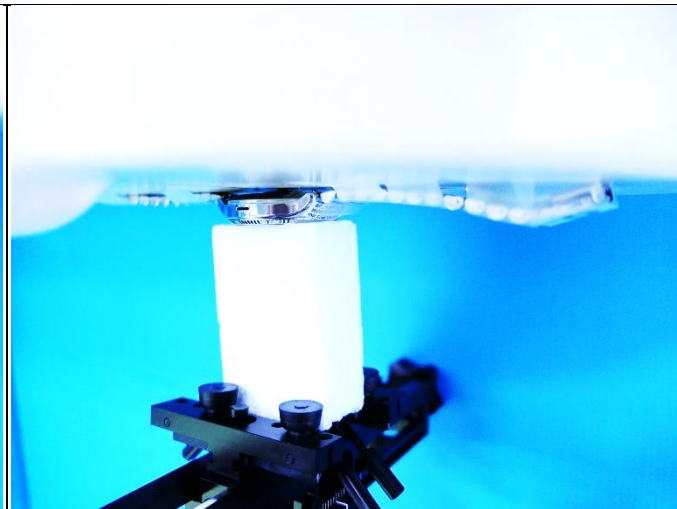


Rear Face of EUT at 0 mm

DW10M1



Front Face of EUT at 10 mm



Rear Face of EUT at 0 mm