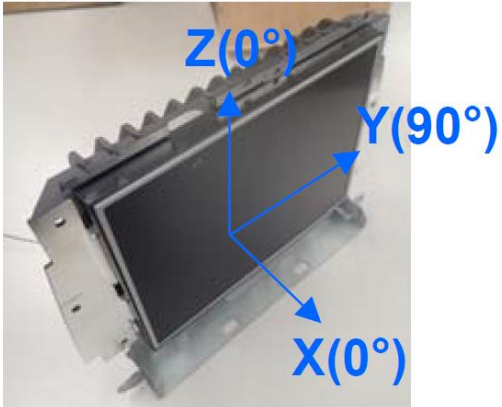


R1LOW: Antenna information

Antenna manufacturer	<p>Manufacturer: TE Connectivity</p> <p>Address: 3-5-8, Hisamoto, Takatsu-Ku, Kawasaki-shi, Kanagawa, 213-8535 JAPAN</p>																		
Model number	<p>2342059-1 (Black cable)</p> <p>2342059-2 (White cable)</p>																		
Maximum gain	<table border="1"> <thead> <tr> <th style="background-color: #cccccc;">Model</th> <th colspan="2">2342059-1</th> <th colspan="2">2342059-2</th> </tr> </thead> <tbody> <tr> <td style="background-color: #cccccc;">Frequency (MHz)</td> <td>2400-2500</td> <td>5150-5850</td> <td>2400-2500</td> <td>5150-5850</td> </tr> <tr> <td style="background-color: #cccccc;">Gain (dBi)</td> <td>3</td> <td>2</td> <td>1</td> <td>4</td> </tr> </tbody> </table>				Model	2342059-1		2342059-2		Frequency (MHz)	2400-2500	5150-5850	2400-2500	5150-5850	Gain (dBi)	3	2	1	4
Model	2342059-1		2342059-2																
Frequency (MHz)	2400-2500	5150-5850	2400-2500	5150-5850															
Gain (dBi)	3	2	1	4															

R1LOW: Antenna Radiation Pattern



	2.4GHz Band	5GHz Band
2342059-1	<p>YZ Radiation Pattern 2440MHz</p>	<p>YZ Radiation Pattern 5470MHz</p>
2342059-2	<p>YZ Radiation Pattern 2440MHz</p>	<p>YZ Radiation Pattern 5470MHz</p>

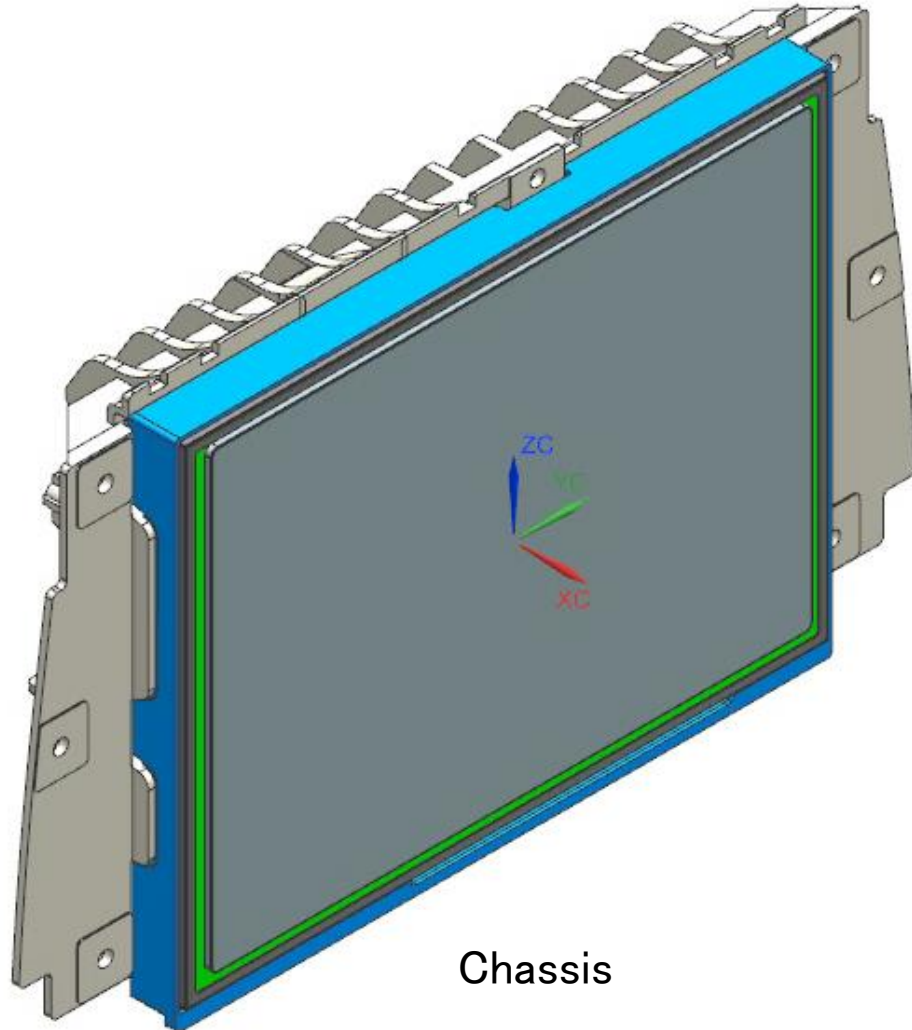
Measured by the antenna manufacturer : TE Connectivity

R1LOW: Antenna Location

Model : R1LOW

FCC ID : UJH-R1LOW

MELCO ID# : No.35, No.38, No.36, No.31



Chassis



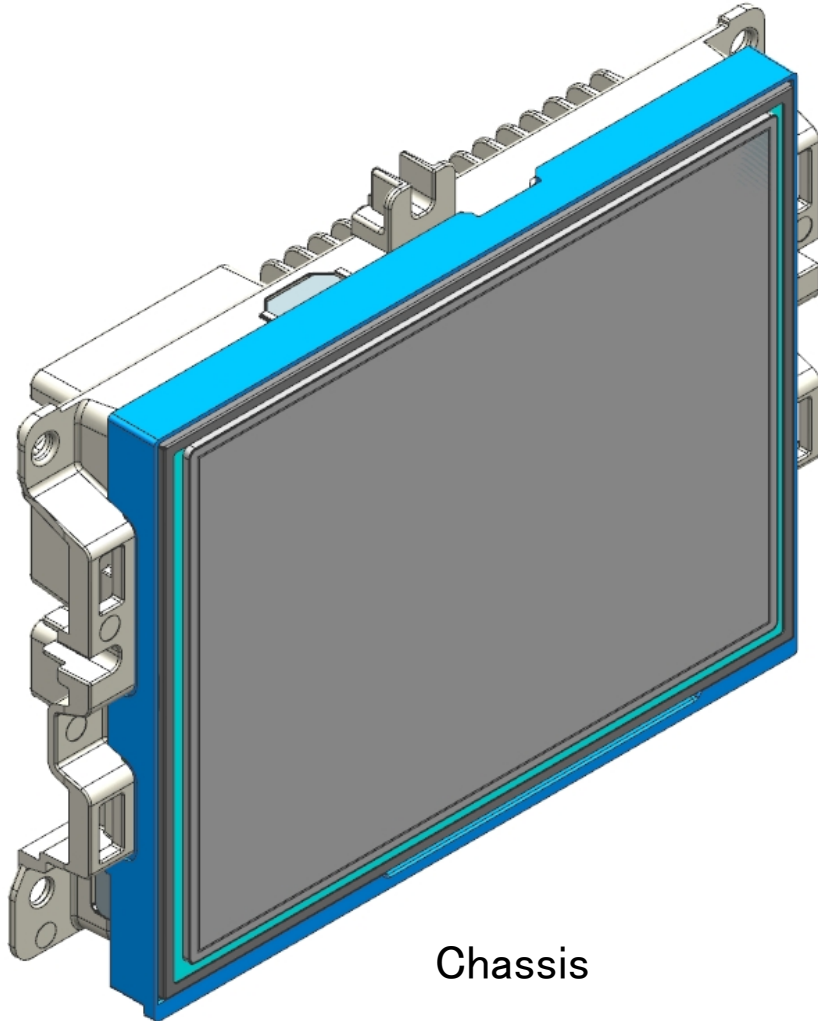
Antenna Location

R1LOW: Antenna Location

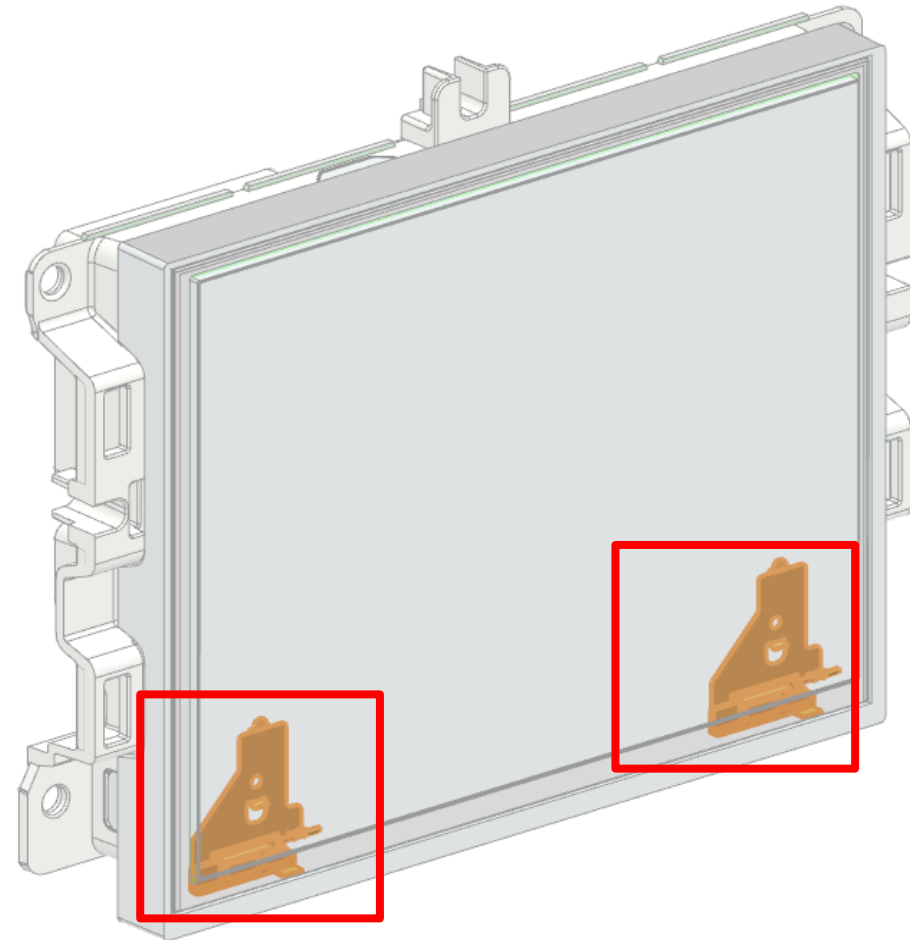
Model : R1LOW

FCC ID : UJH-R1LOW

MELCO ID# : No.13, No.14, No.40, No.49, No.51, No.62



Chassis



Antenna Location