

Annex B of TR no.: 21086128-23001-1

Photo No. 37: bottom view

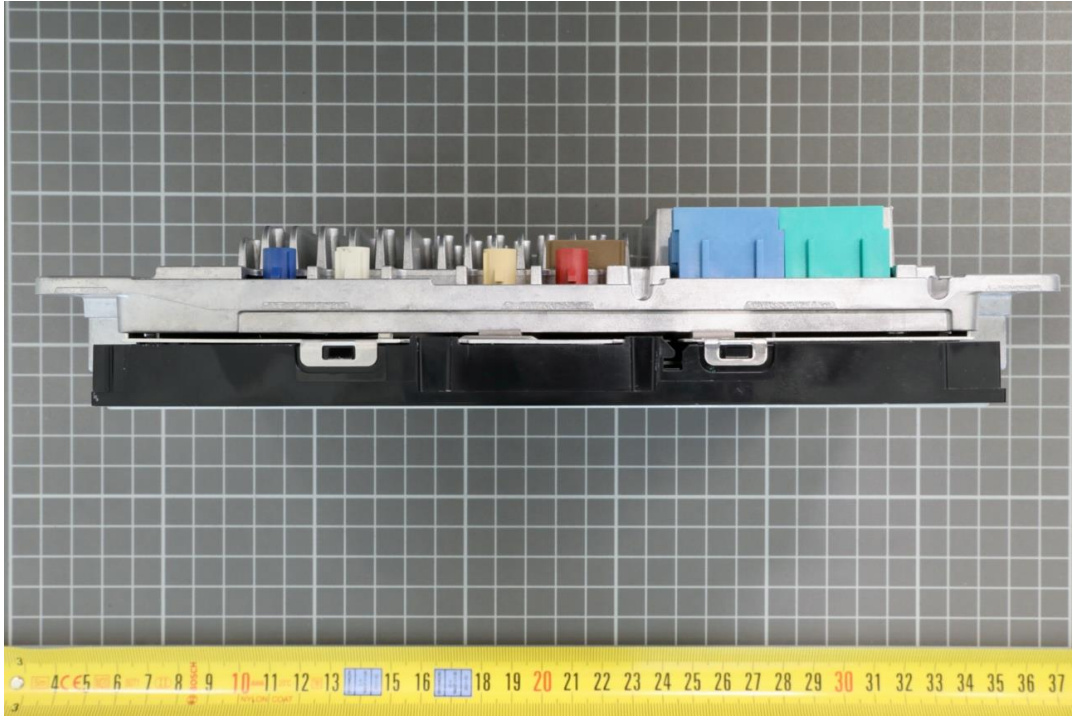
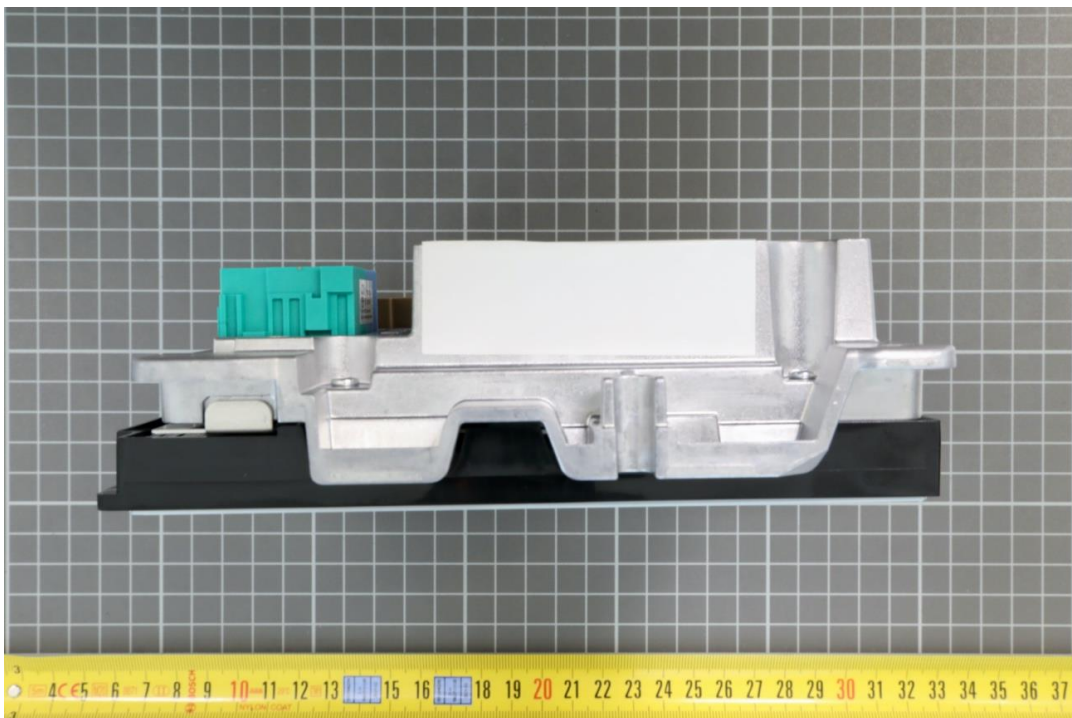
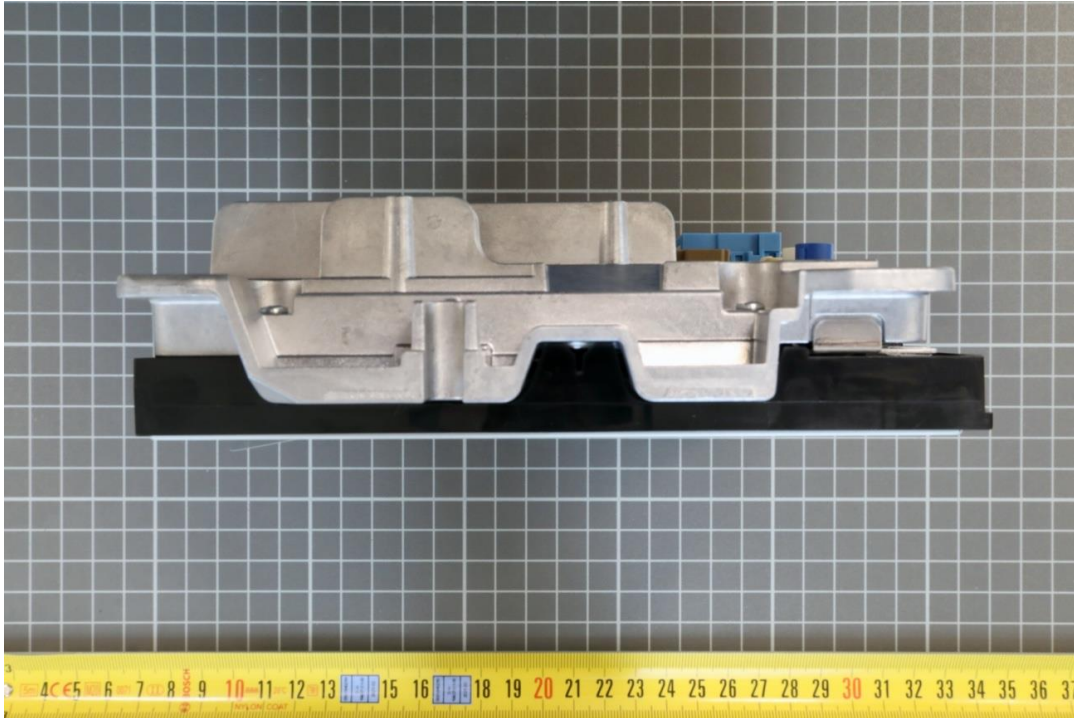


Photo No. 38: side view left



Annex B of TR no.: 21086128-23001-1

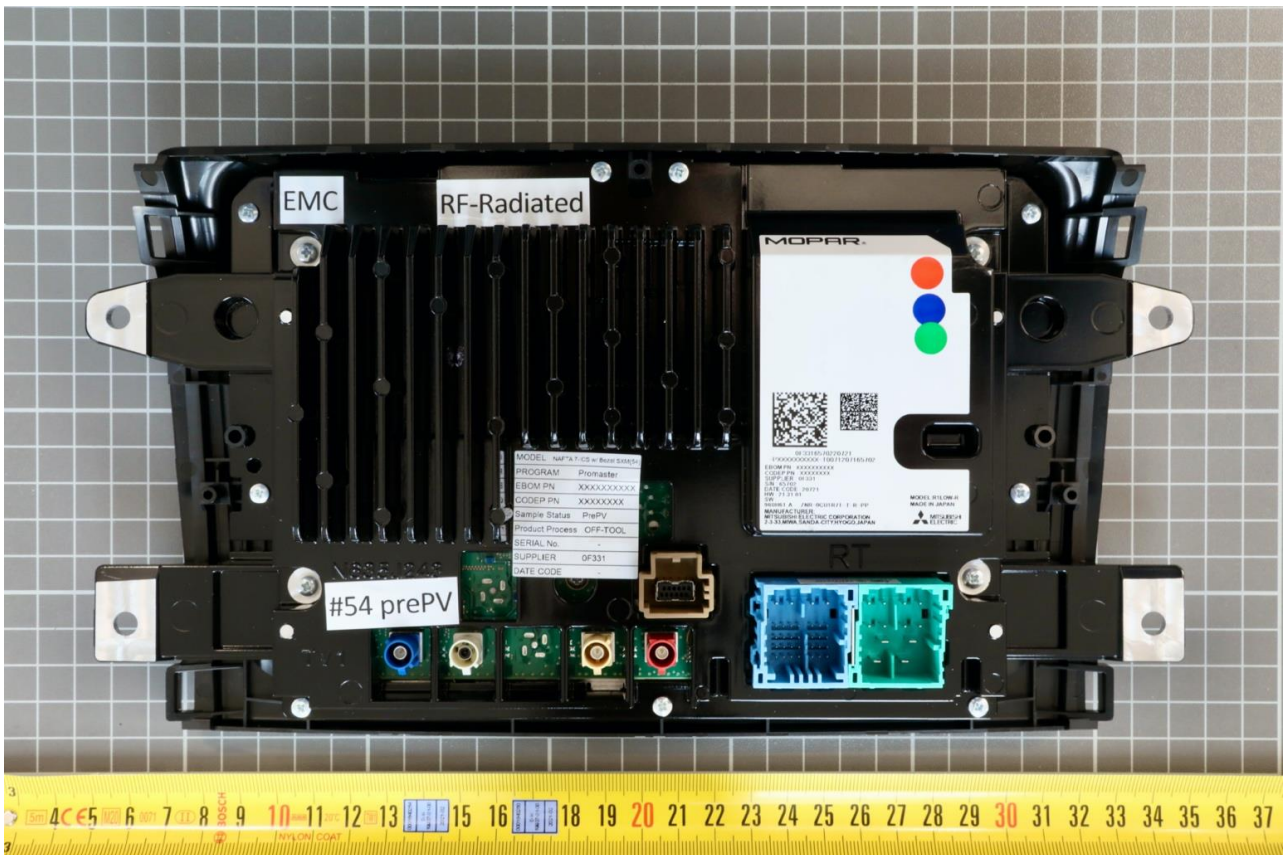
Photo No. 39: side view right



2.7 Variant ID #54

2.7.1 Radiated EUT, serial number 65702

Photo No. 40: rear view



Annex B of TR no.: 21086128-23001-1

Photo No. 41: front view



Photo No. 42: top view

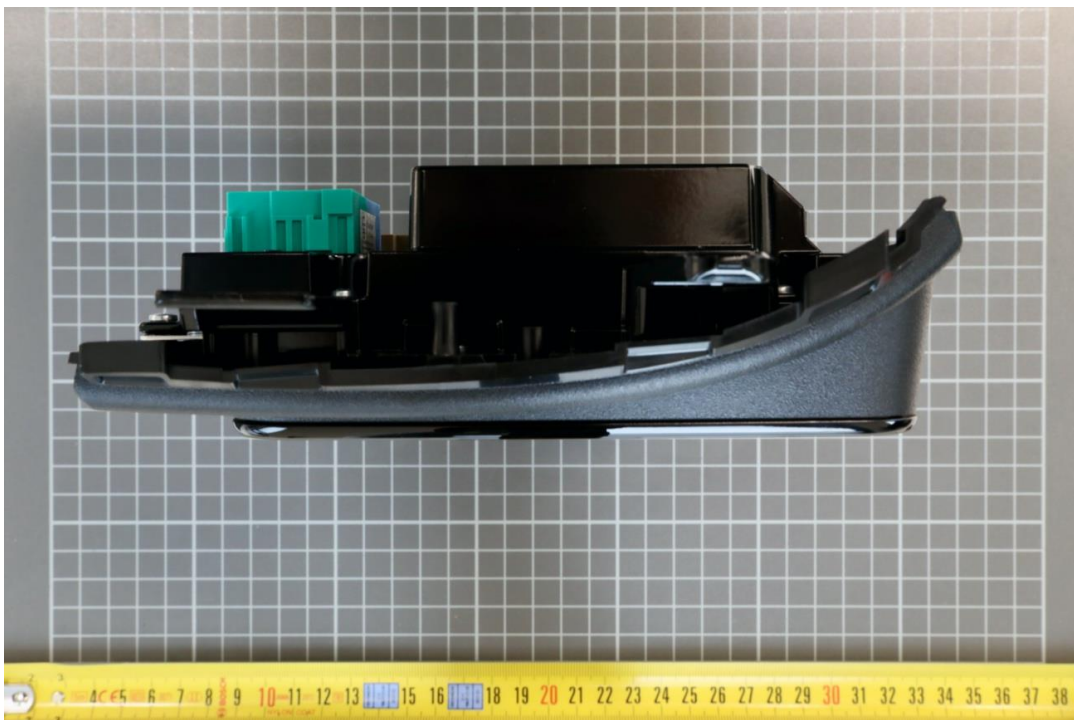


Annex B of TR no.: 21086128-23001-1

Photo No. 43: bottom view

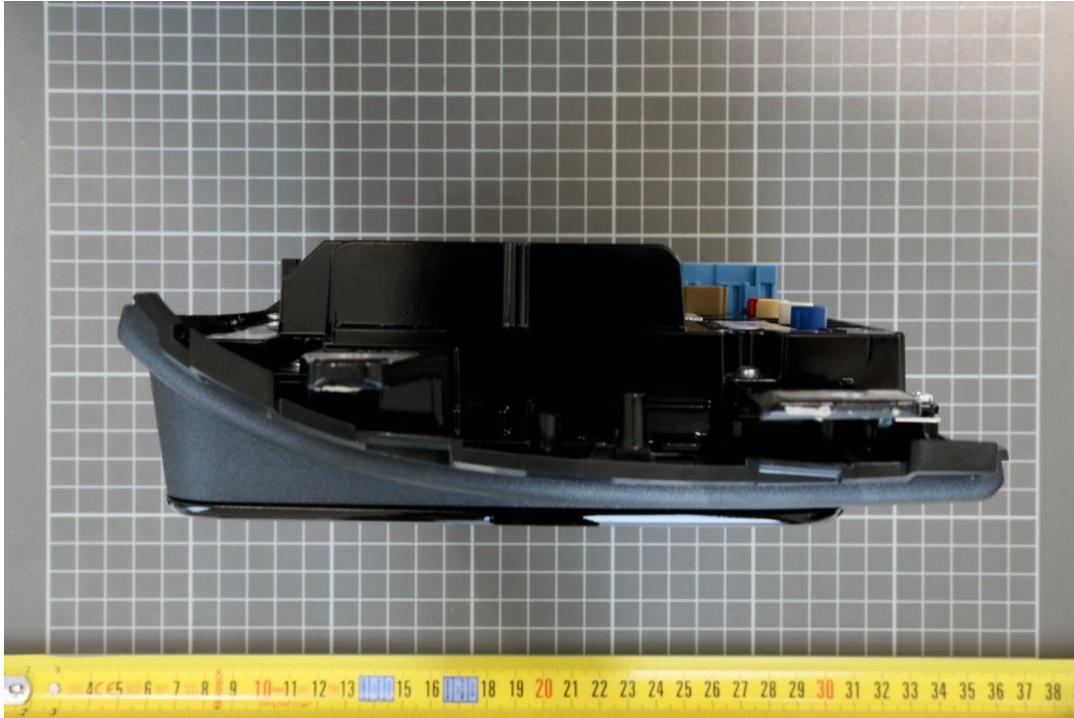


Photo No. 44: side view left



Annex B of TR no.: 21086128-23001-1

Photo No. 45: side view right

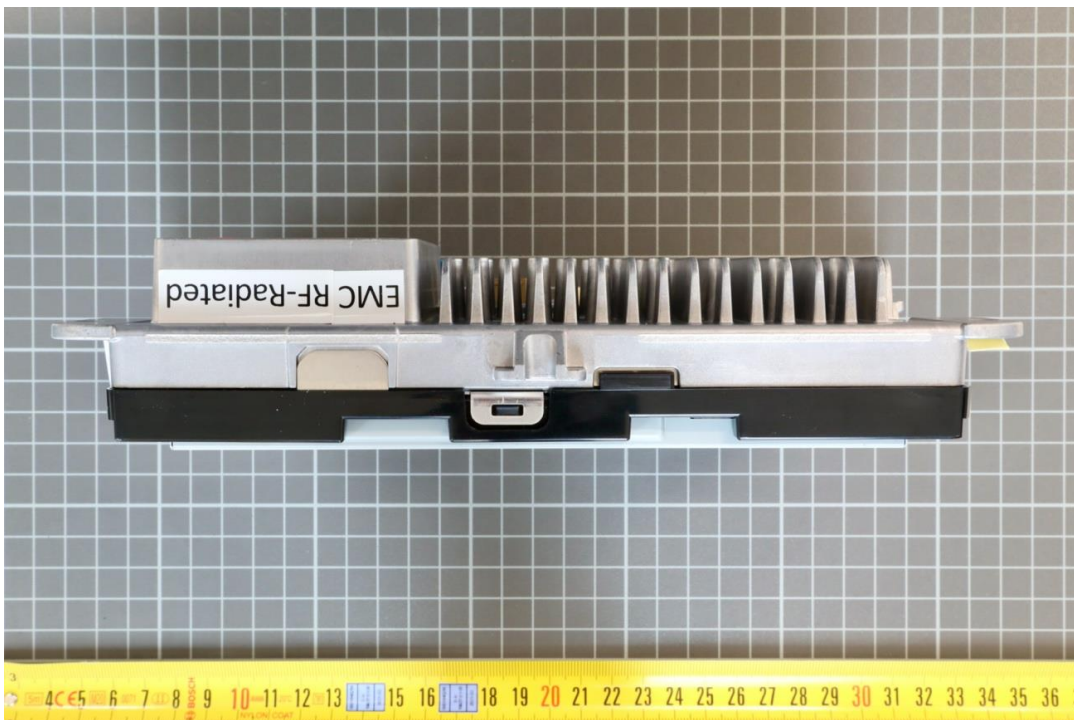


Annex B of TR no.: 21086128-23001-1

Photo No. 47: front view



Photo No. 48: top view



Annex B of TR no.: 21086128-23001-1

Photo No. 49: bottom view

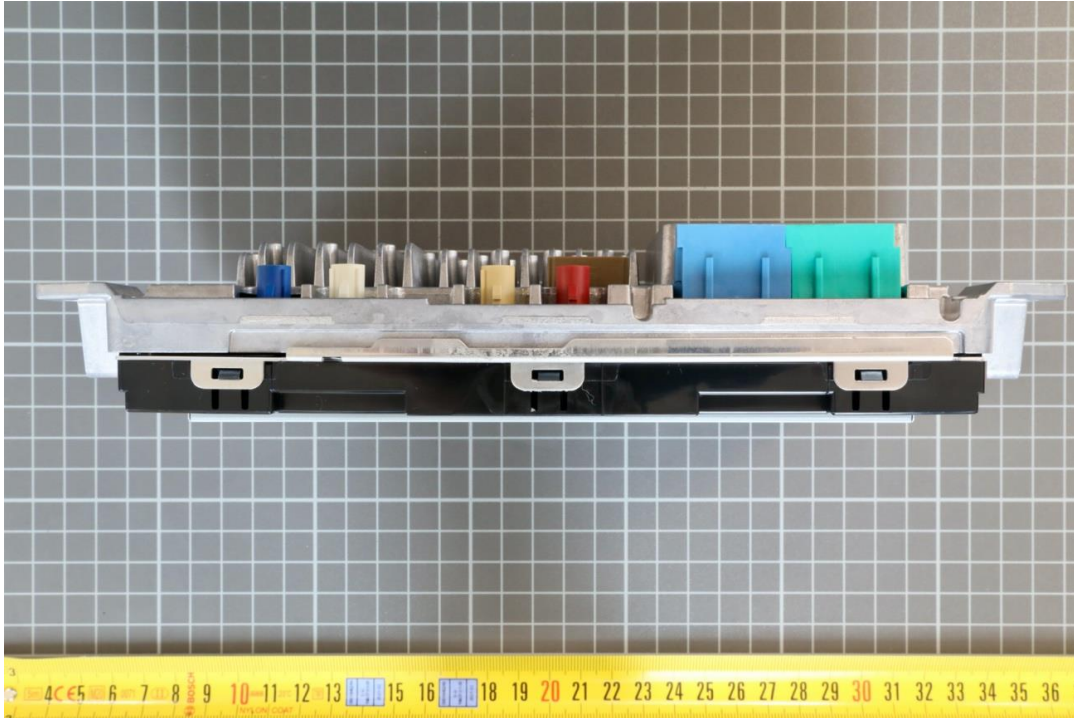
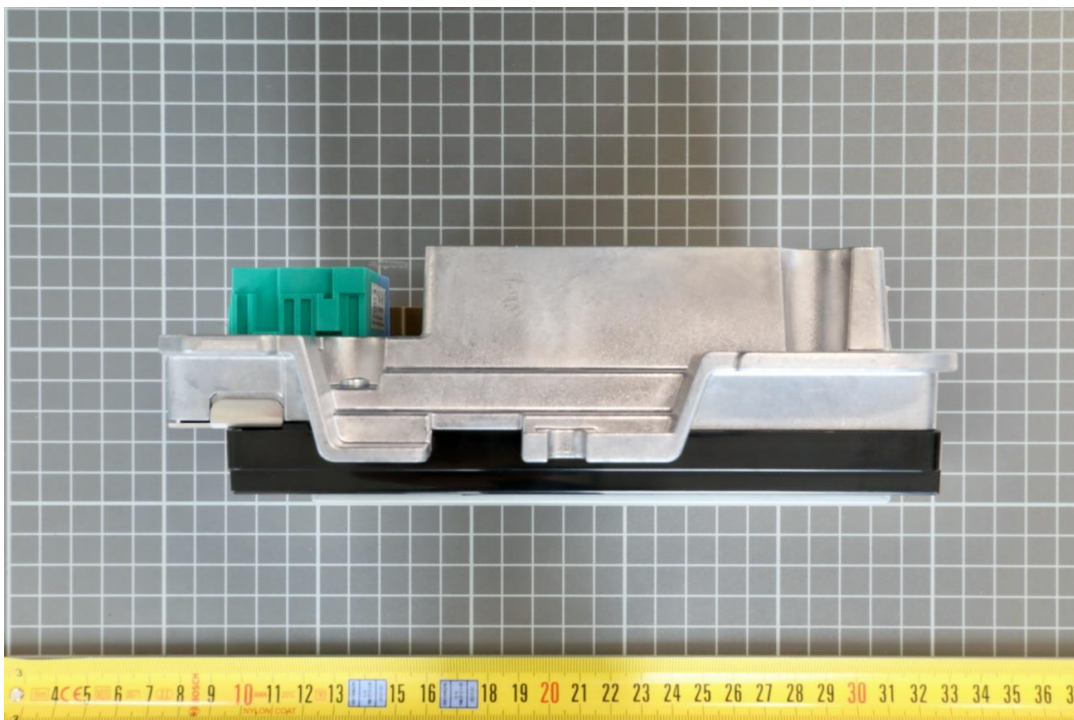
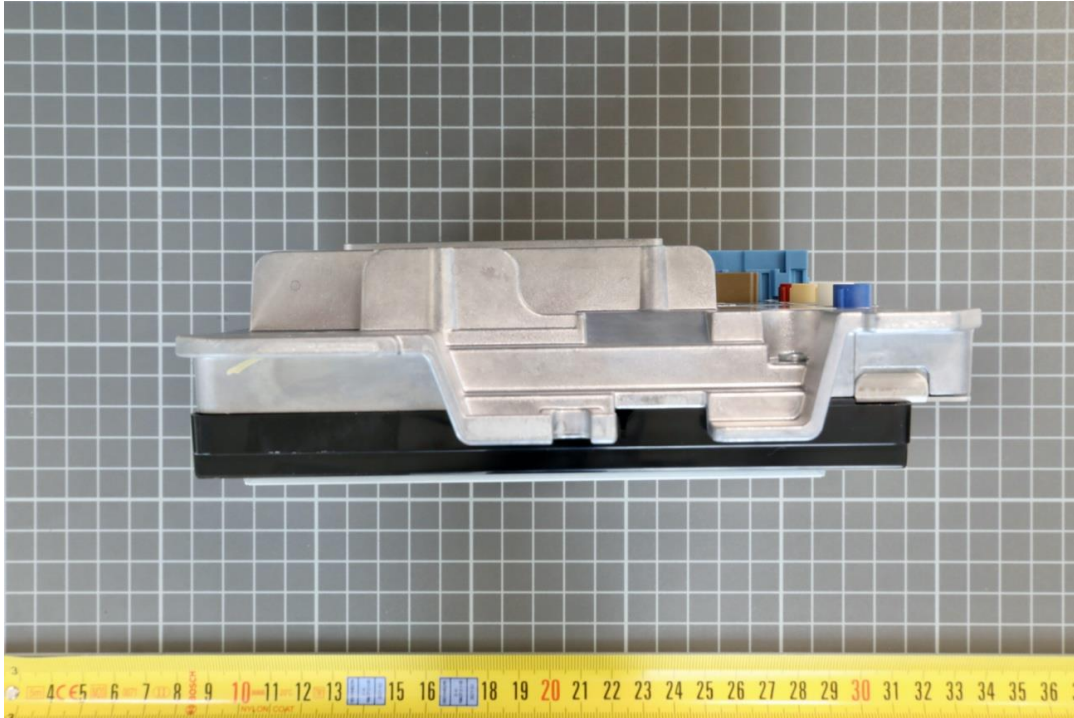


Photo No. 50: side view left



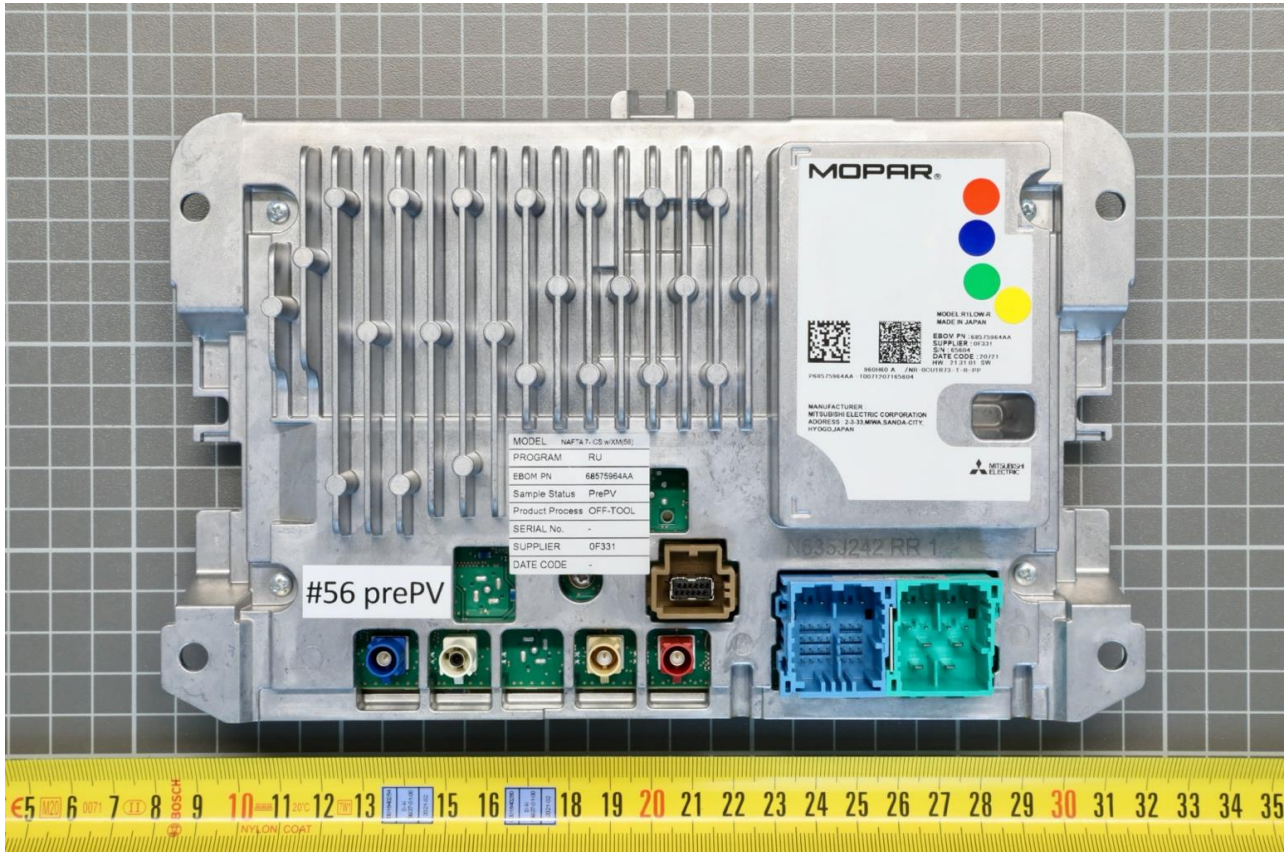
Annex B of TR no.: 21086128-23001-1

Photo No. 51: side view right



2.8.2 Radiated EUT, serial number 65604

Photo No. 52: rear view

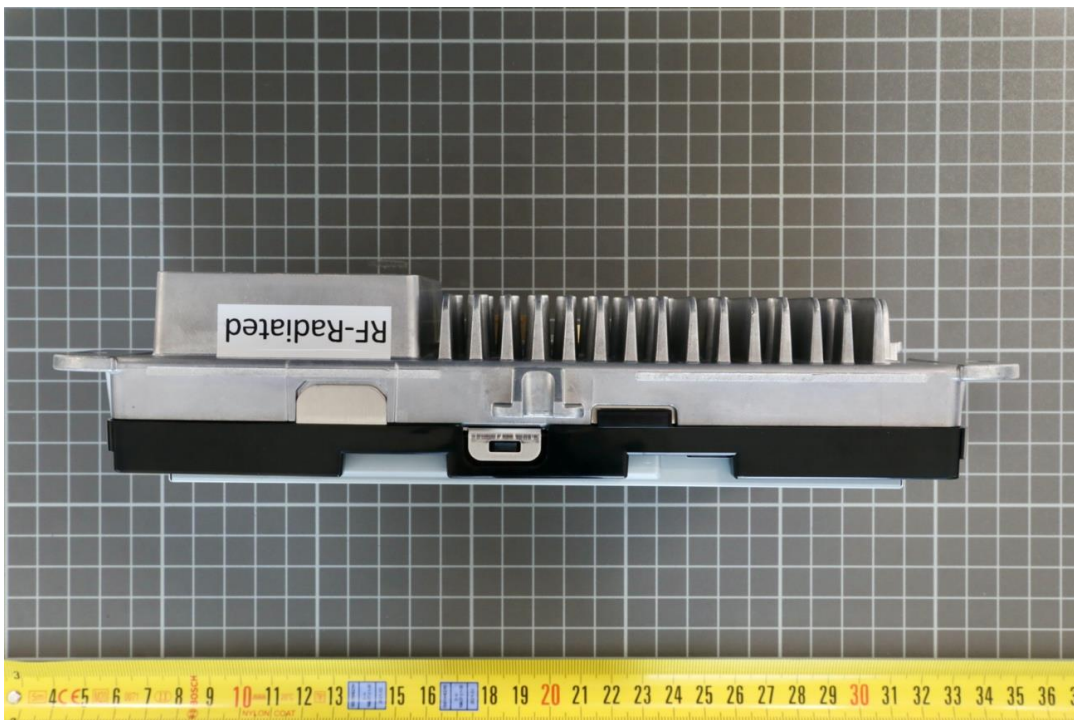


Annex B of TR no.: 21086128-23001-1

Photo No. 54: front view



Photo No. 55: top view



Annex B of TR no.: 21086128-23001-1

Photo No. 56: bottom view

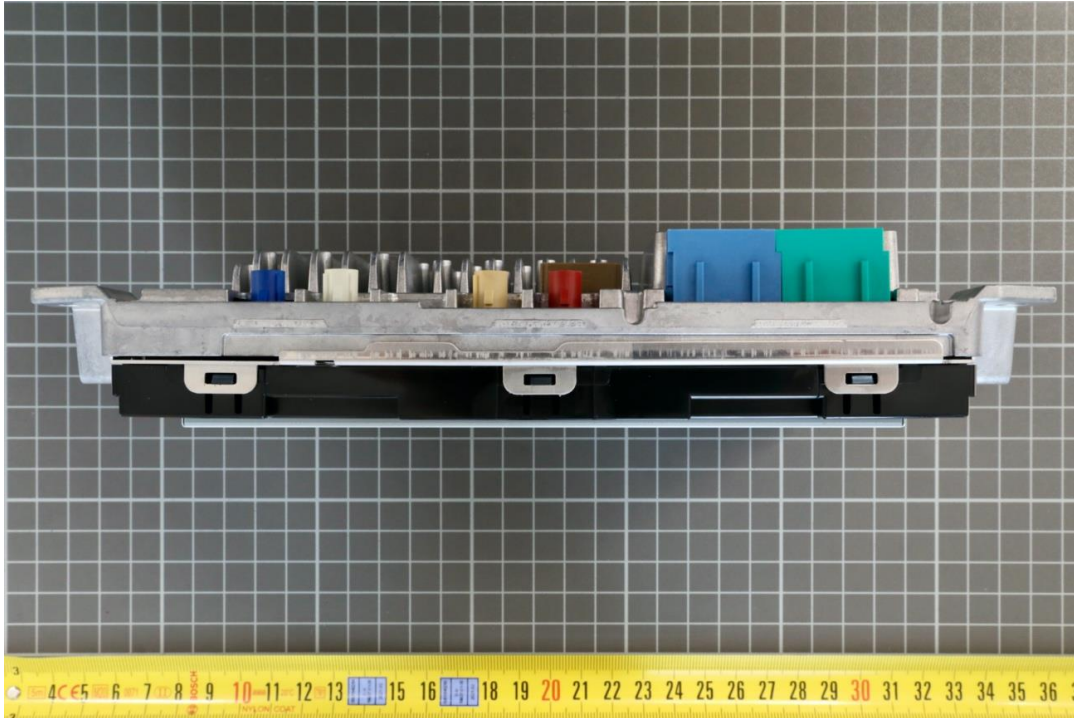
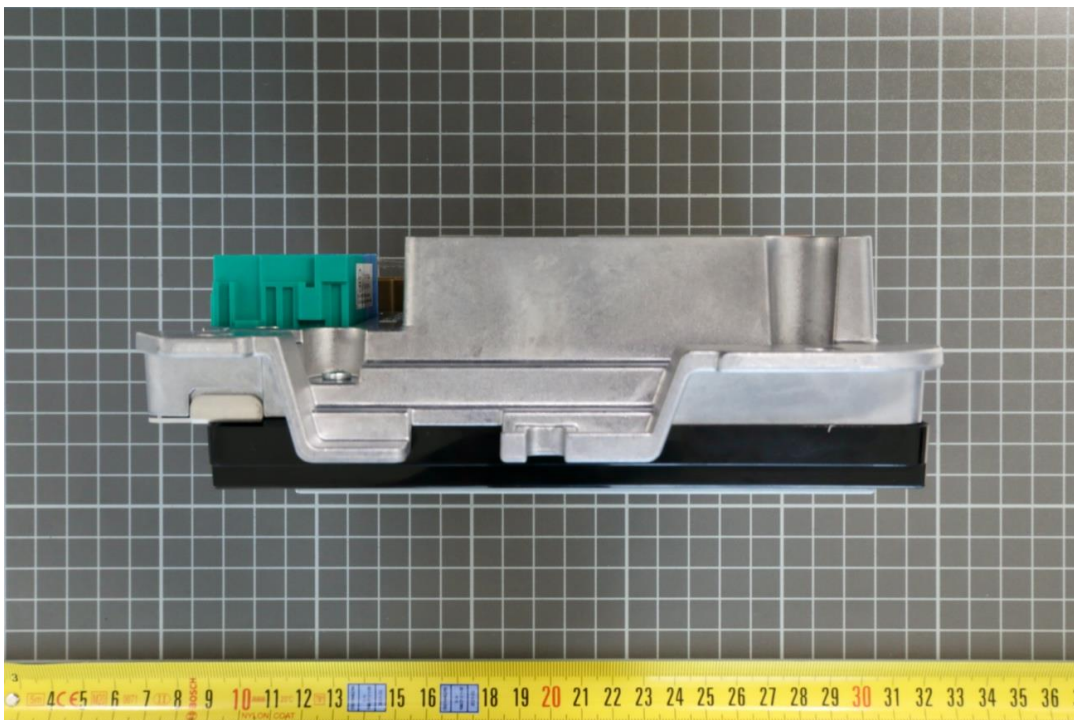
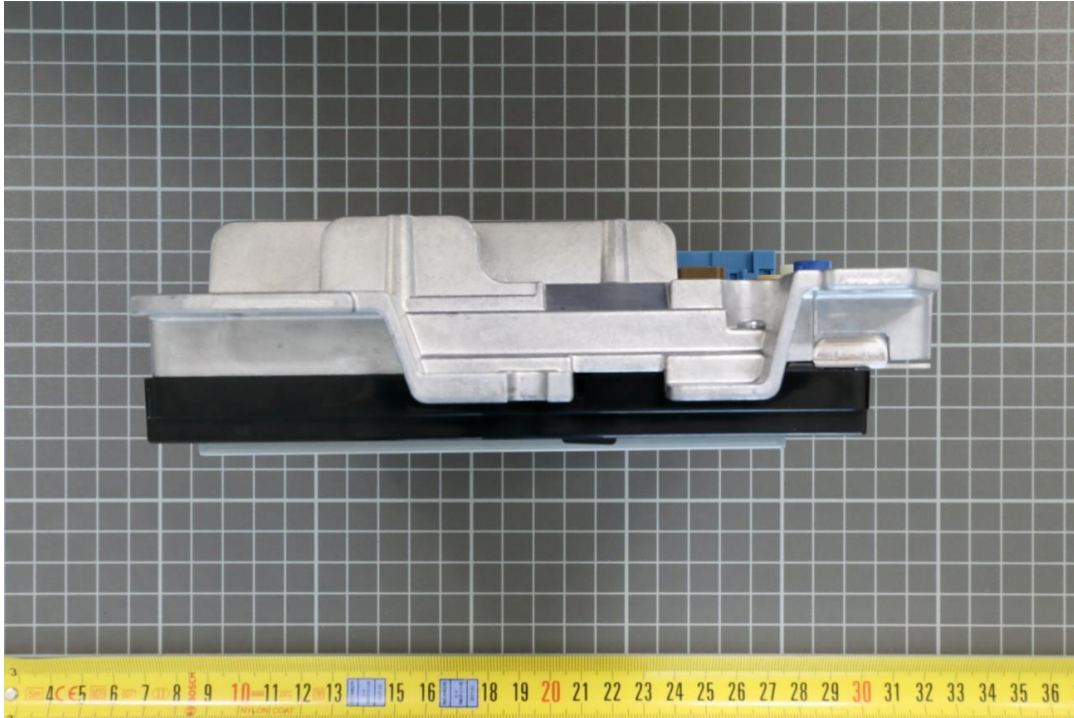


Photo No. 57: side view left



Annex B of TR no.: 21086128-23001-1

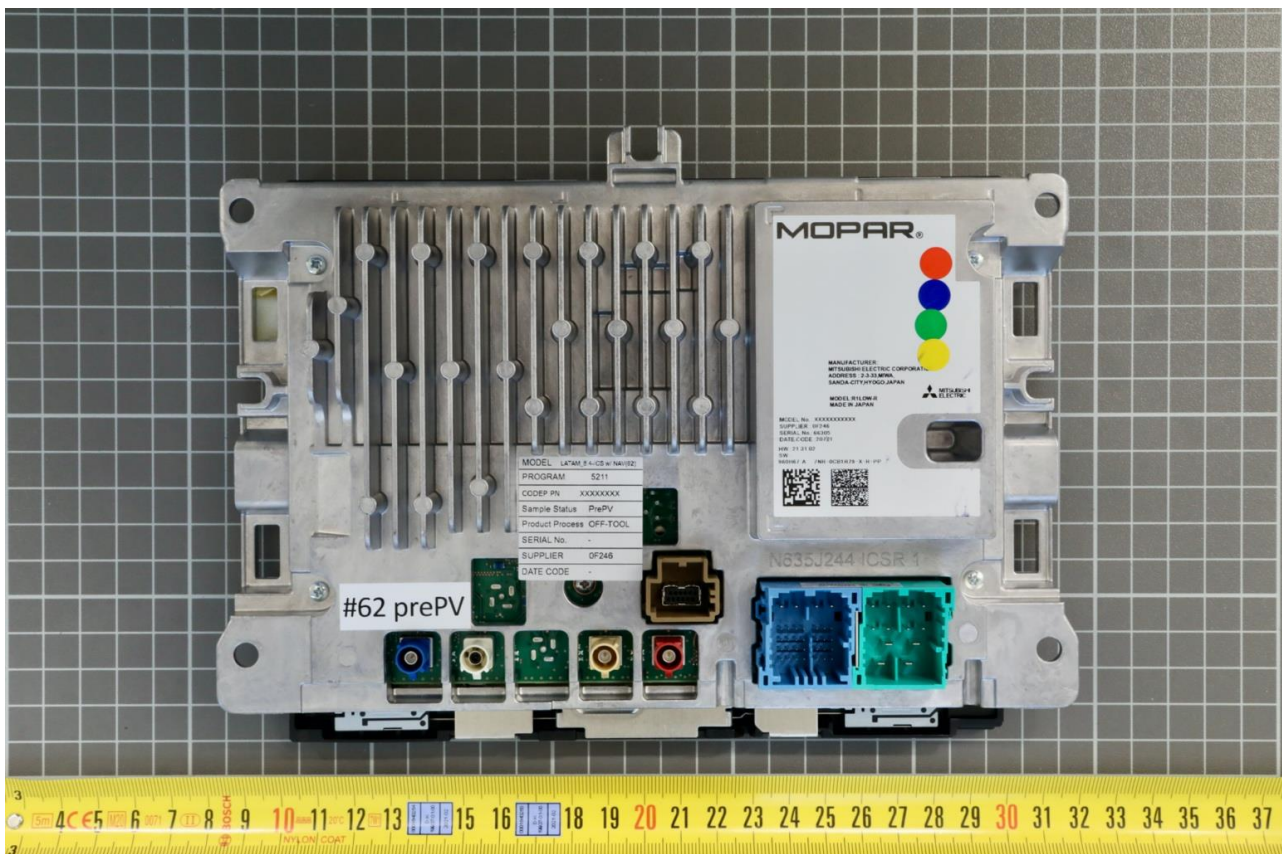
Photo No. 58: side view right



2.10 Variant ID #62

2.10.1 Radiated EUT, serial number 66305

Photo No. 59: rear view

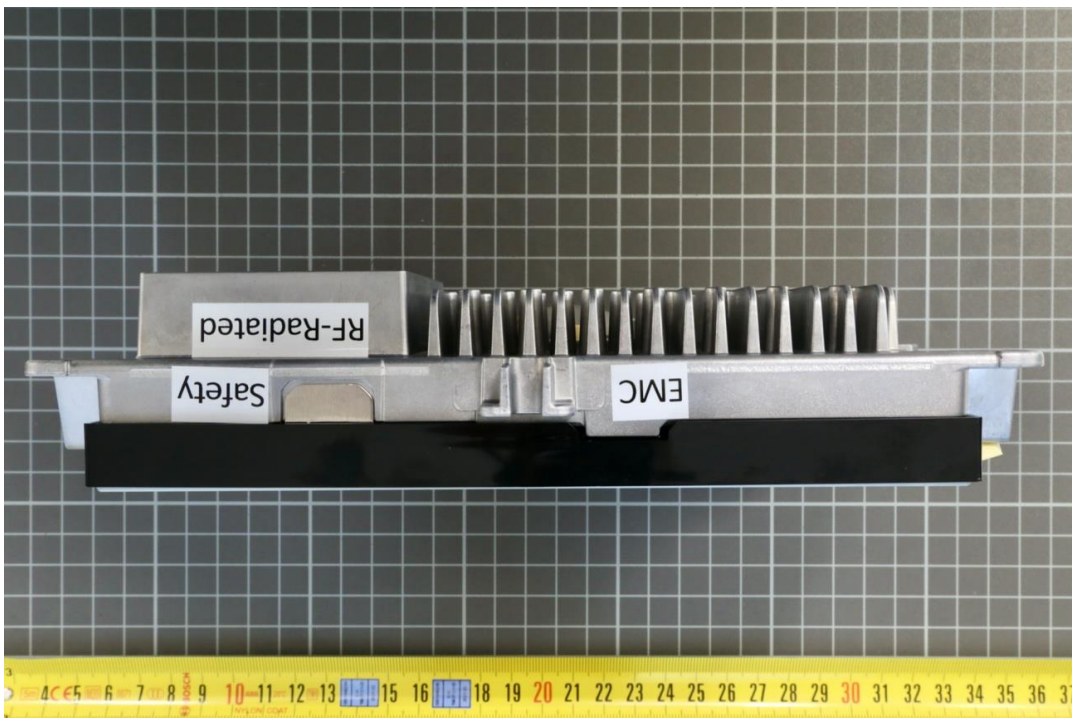


Annex B of TR no.: 21086128-23001-1

Photo No. 60: front view



Photo No. 61: top view



Annex B of TR no.: 21086128-23001-1

Photo No. 62: bottom view

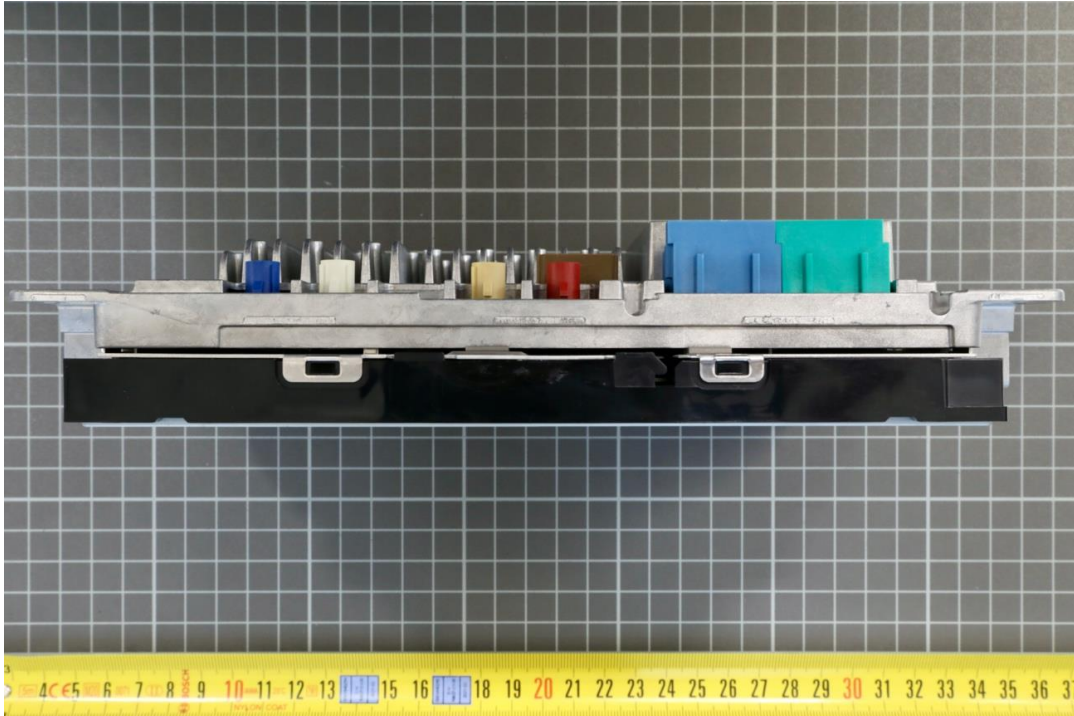
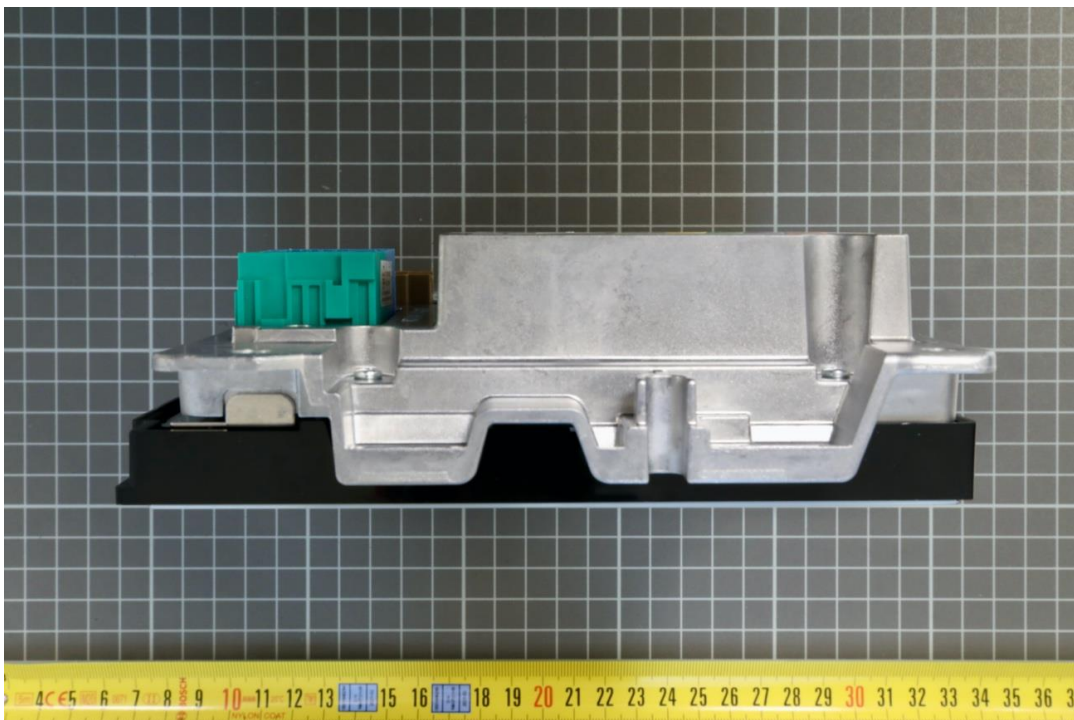
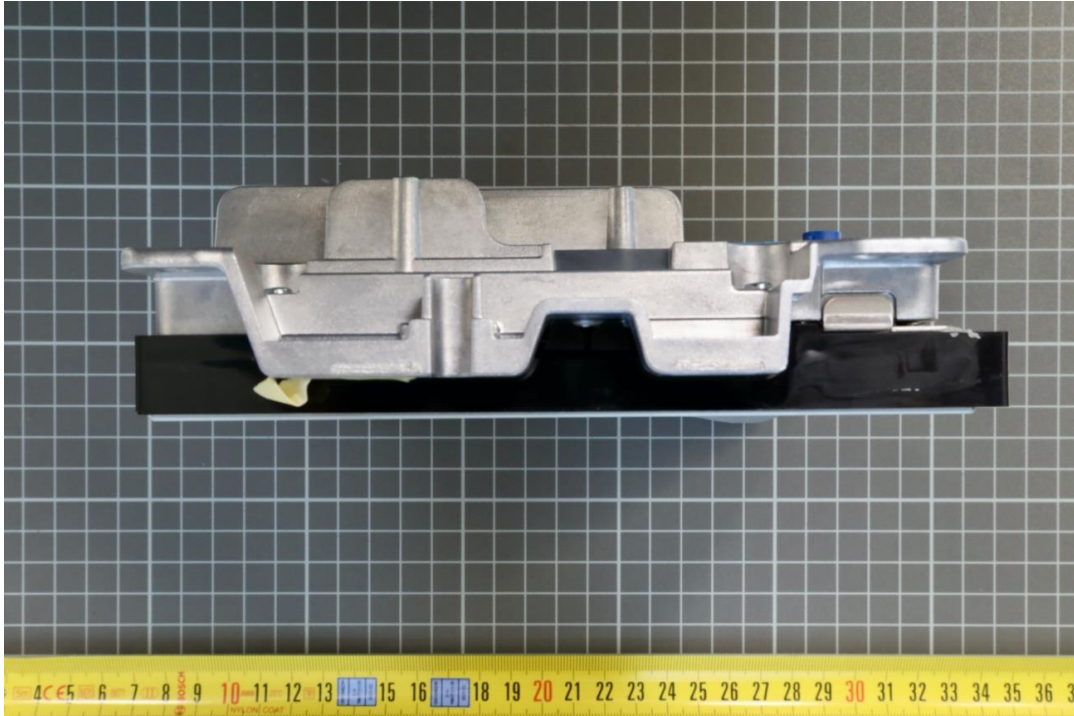


Photo No. 63: side view left



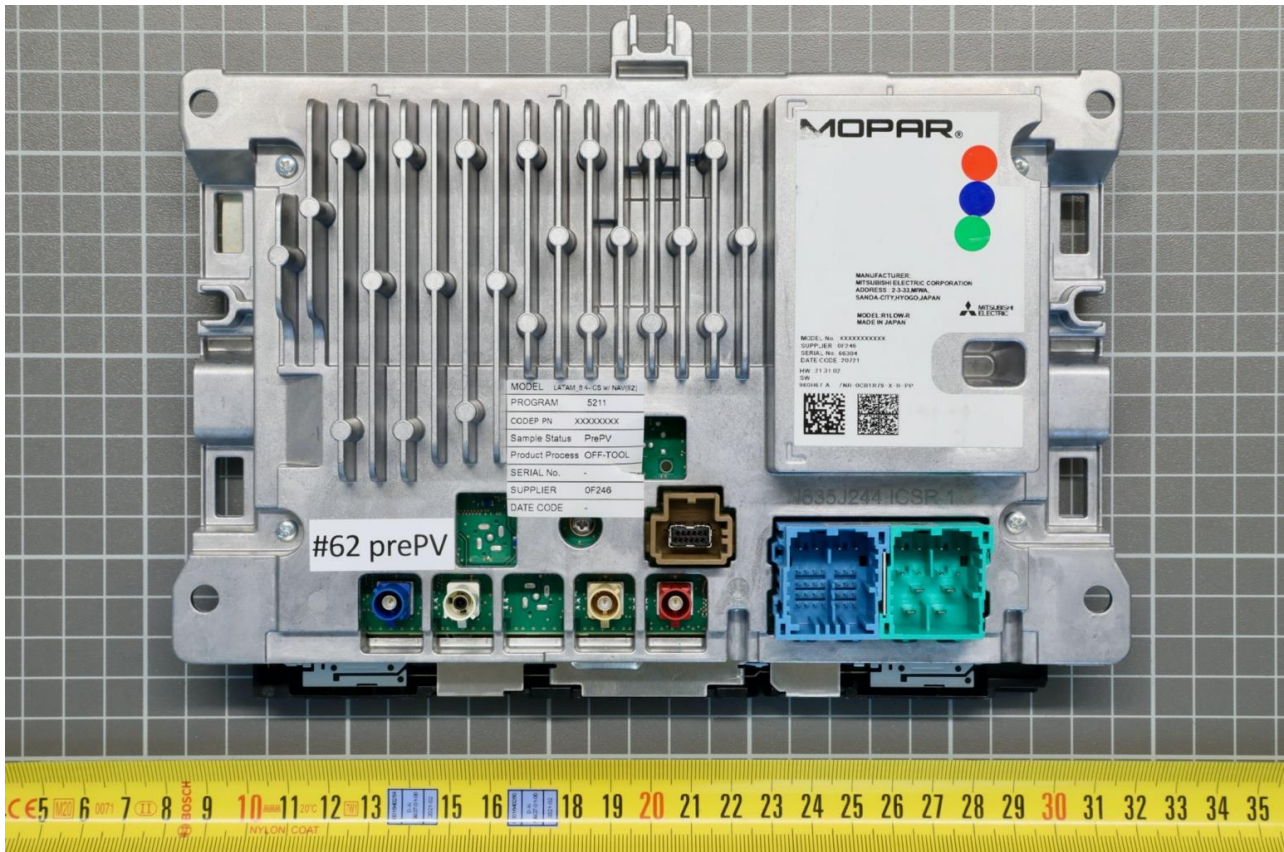
Annex B of TR no.: 21086128-23001-1

Photo No. 64: side view right



2.10.2 Radiated EUT, serial number 66304

Photo No. 65: rear view



3 Revision History

-0 Initial Version

-1 Revision: administrative modification/correction

Change of HVIN

This test report 21086128-23001-1 replaces the previous test report 21086128-23001-0

End of Annex
