

Annex C

Internal photographs of EUT

part of / in addition to

Test report no.: 21086129-23007-1

Tested by
(name, function, signature) *Piotr Sardyko*
Deputy Head of Laboratory RF



signature

Approved by
(name, function, signature) *Dr.-Ing. Harald Ansorge*
Managing Director



signature

1 TABLE OF CONTENTS

1	TABLE OF CONTENTS	2
2	Internal photos EUT	3
2.1	Variant ID #28	3
2.2	Variant ID #33	7
2.3	Variant ID #39	11
2.4	Variant ID #43	15
2.5	Variant ID #48	19
3	Revision History	23

2 Internal photos EUT

2.1 Variant ID #28

2.1.1 Conducted EUT, serial number 65112 – Radiated EUT, serial number 65108 (looks identical)

Photo No. 1: front plate, front view



Annex C of TR no.: 21086129-23007-1

Photo No. 2: front plate, rear view

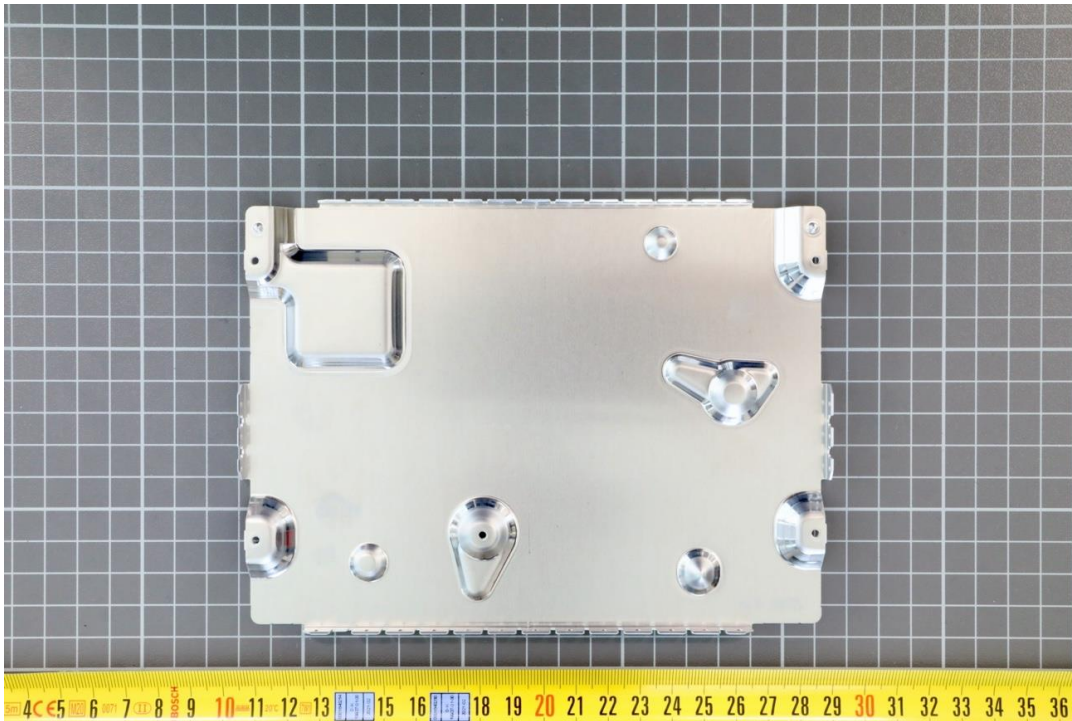
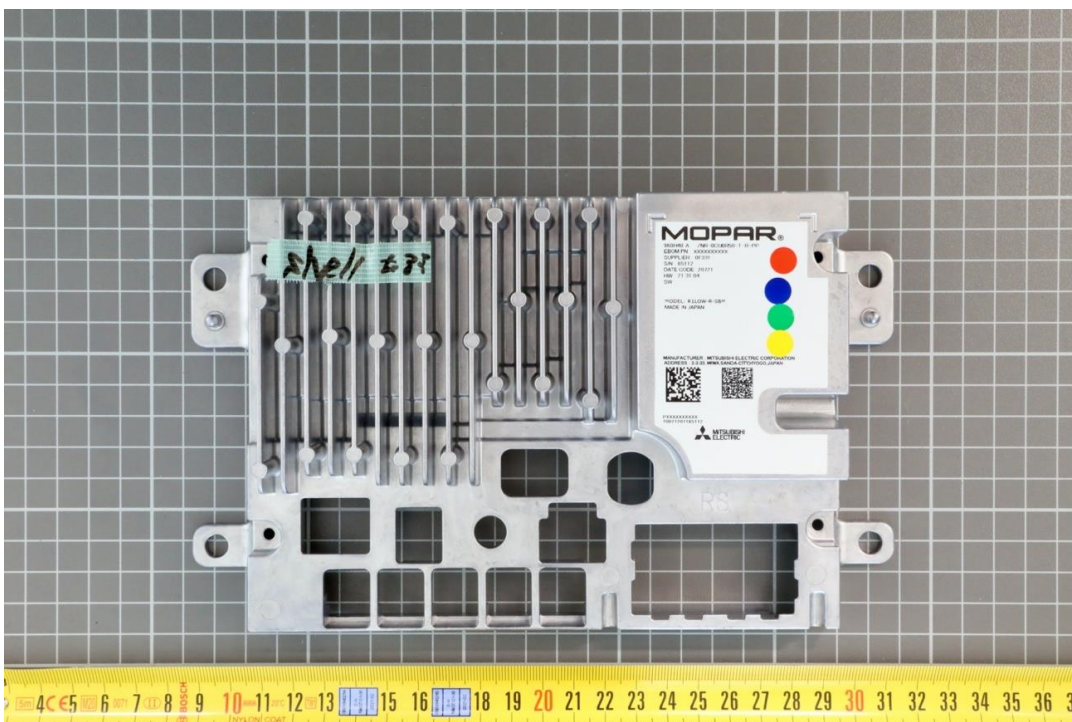


Photo No. 3: housing shell, rear view



Annex C of TR no.: 21086129-23007-1

Photo No. 4: housing shell, inner view

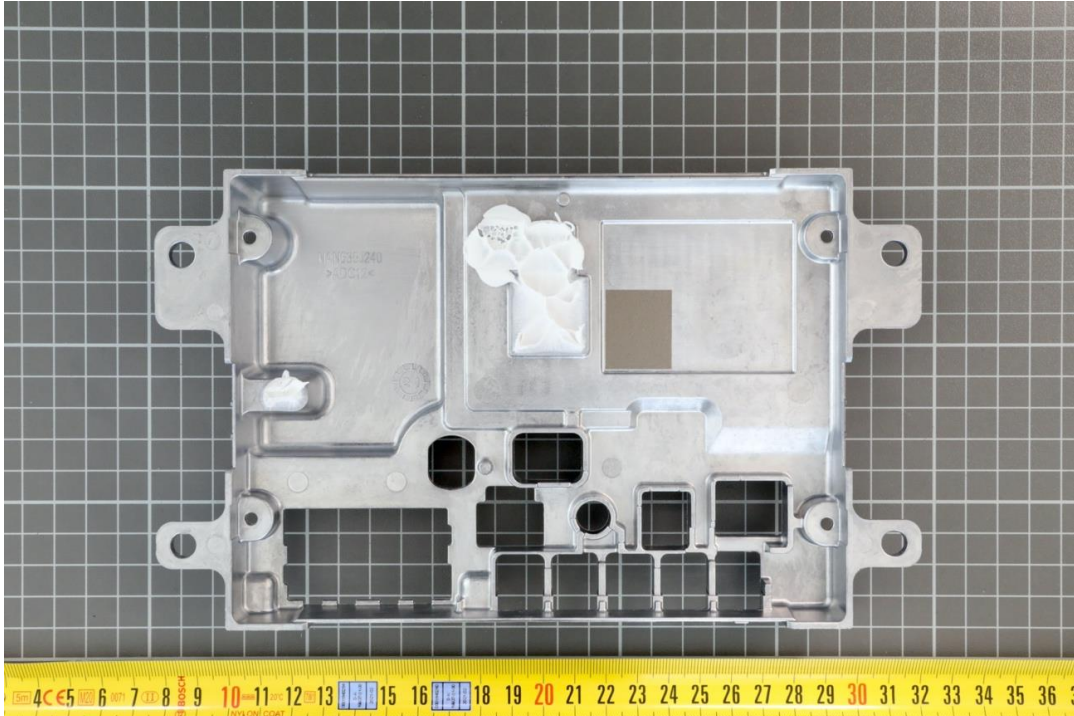
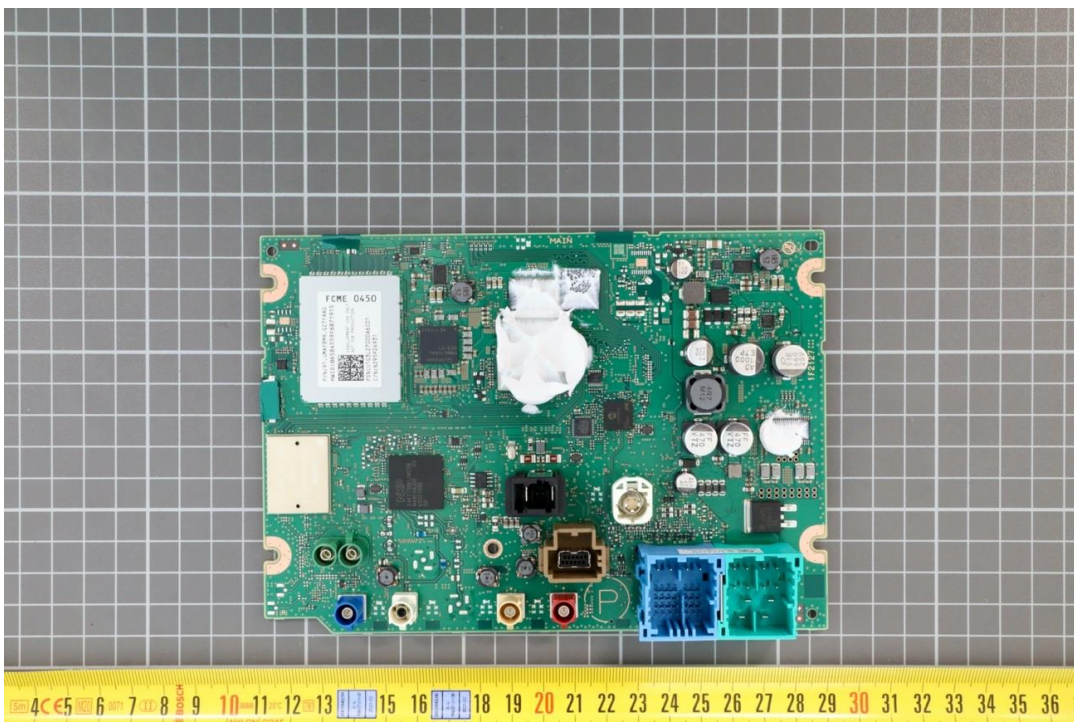
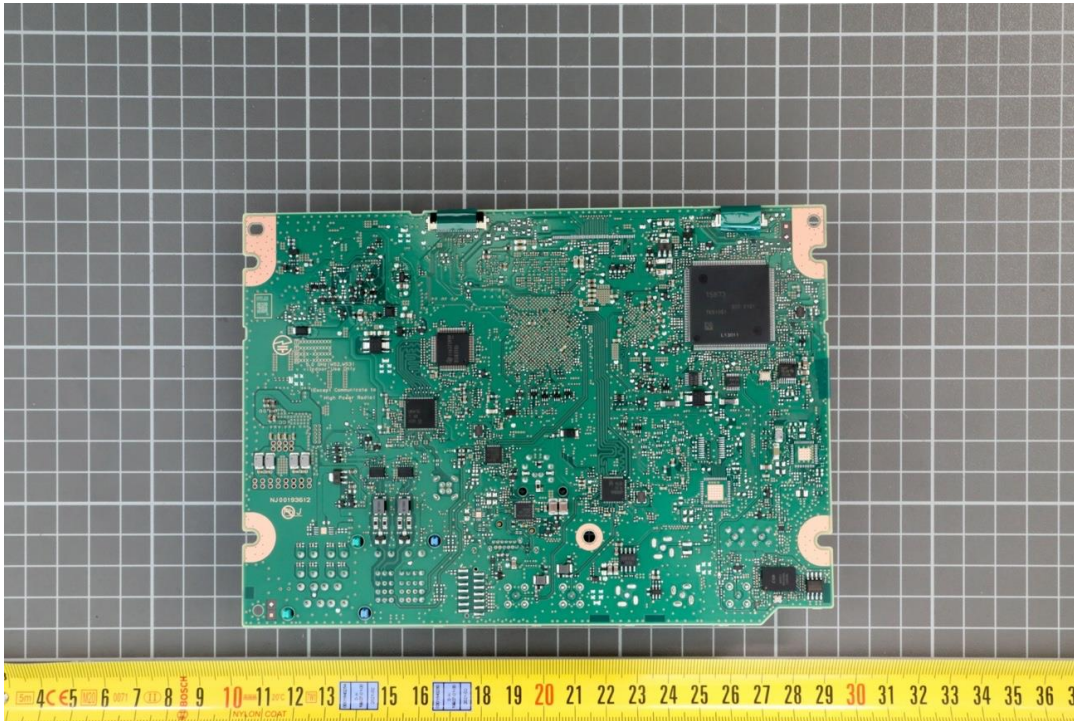


Photo No. 5: printed circuit board with interfaces, rear view



Annex C of TR no.: 21086129-23007-1

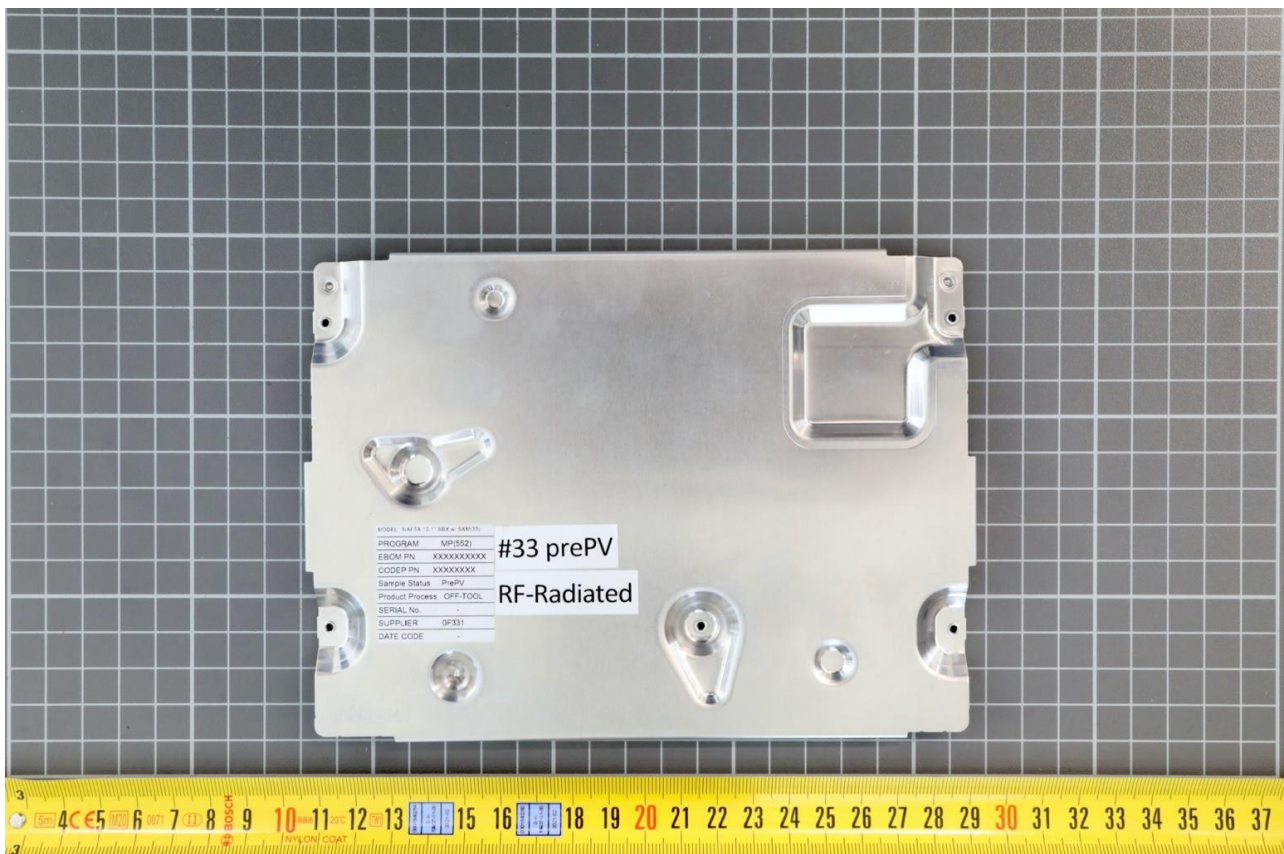
Photo No. 6: printed circuit board with interfaces, front view



2.2 Variant ID #33

2.2.1 Radiated EUT, serial number 66605

Photo No. 7: front plate, front view



Annex C of TR no.: 21086129-23007-1

Photo No. 8: front plate, rear view

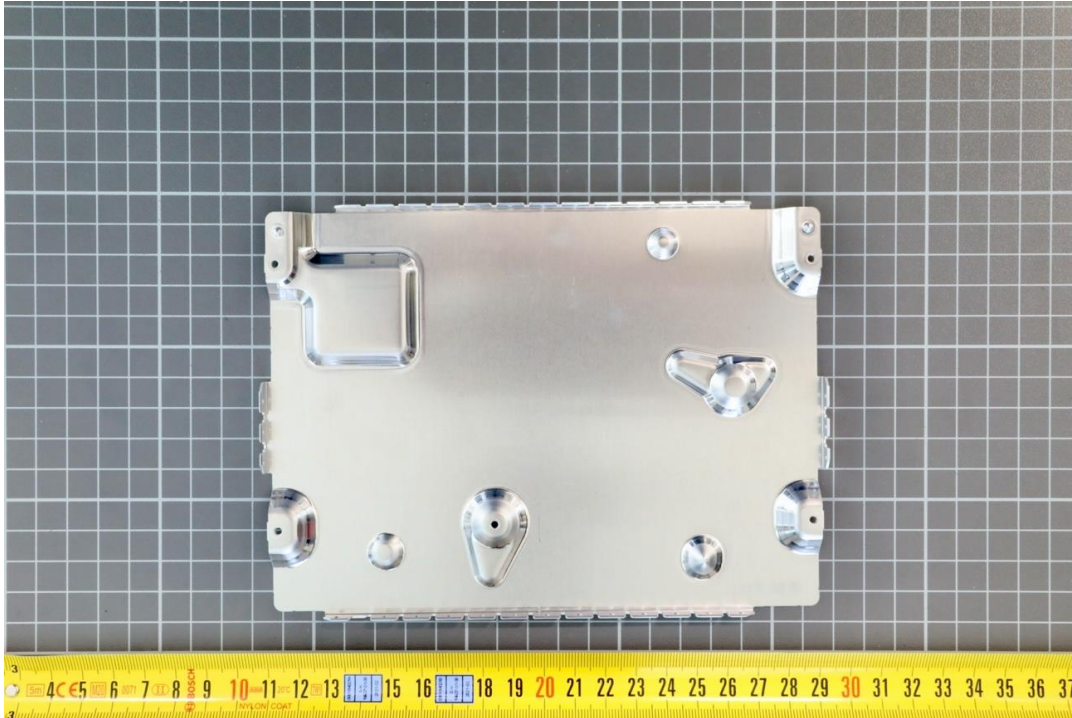
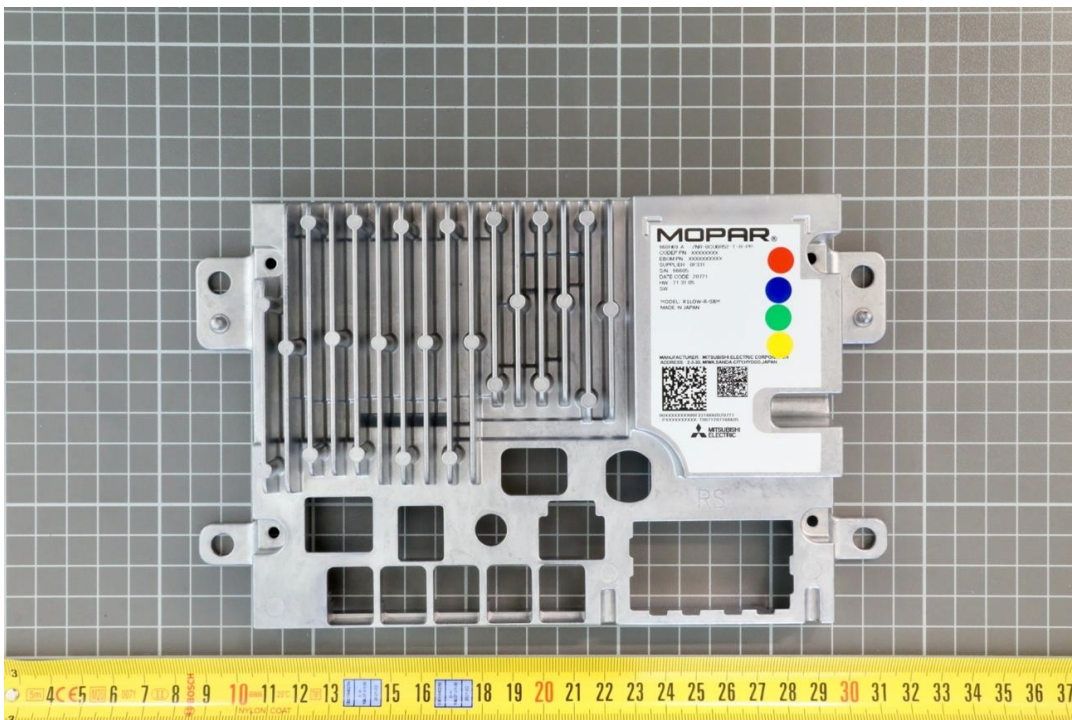


Photo No. 9: housing shell, rear view



Annex C of TR no.: 21086129-23007-1

Photo No. 10: housing shell, inner view

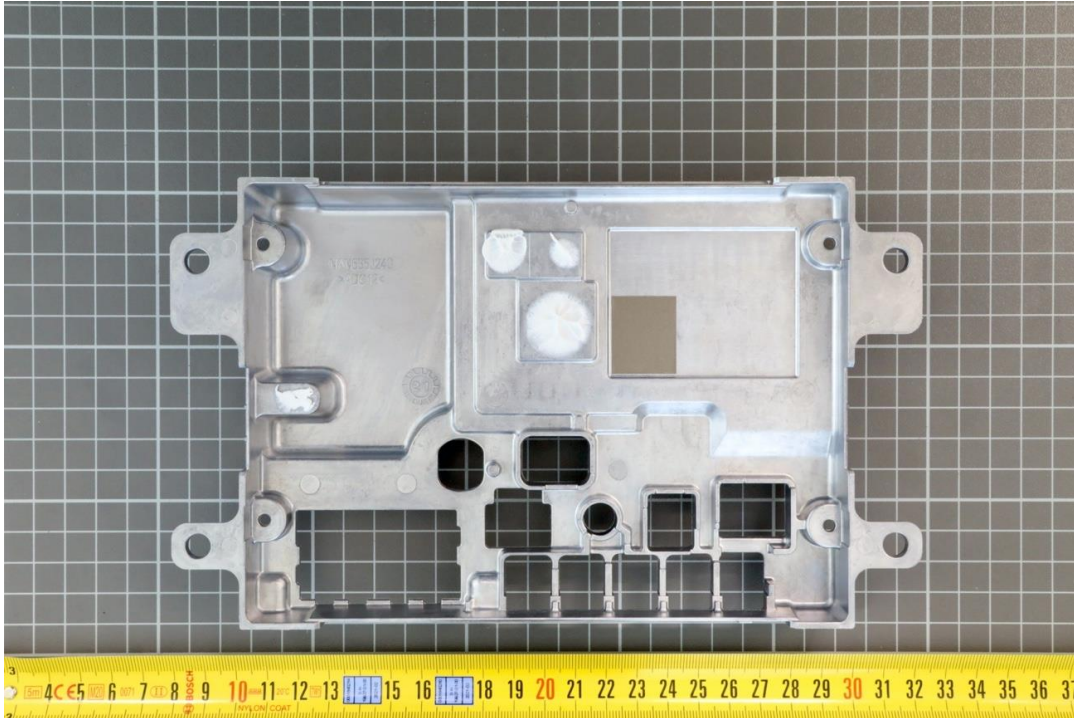
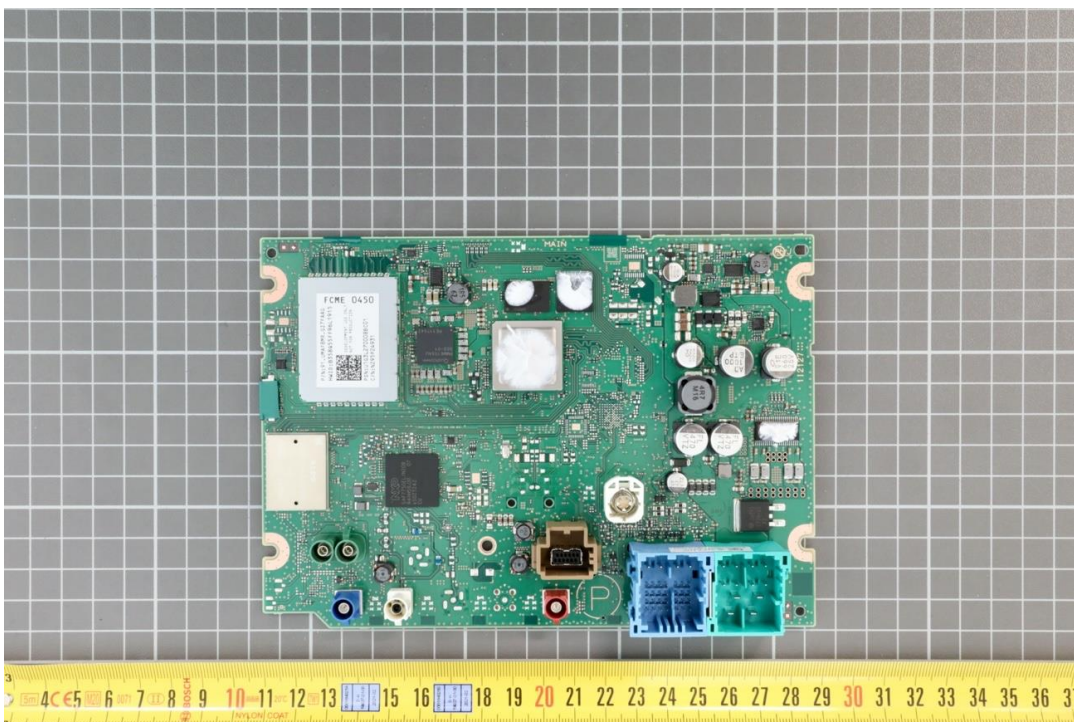
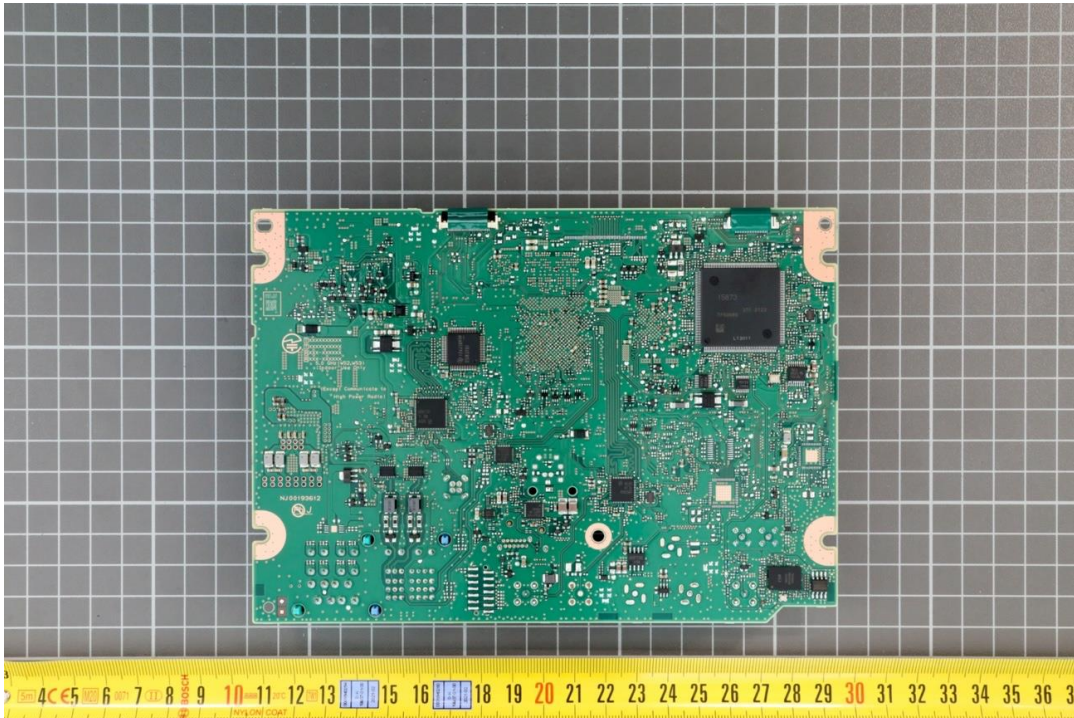


Photo No. 11: printed circuit board with interfaces, rear view



Annex C of TR no.: 21086129-23007-1

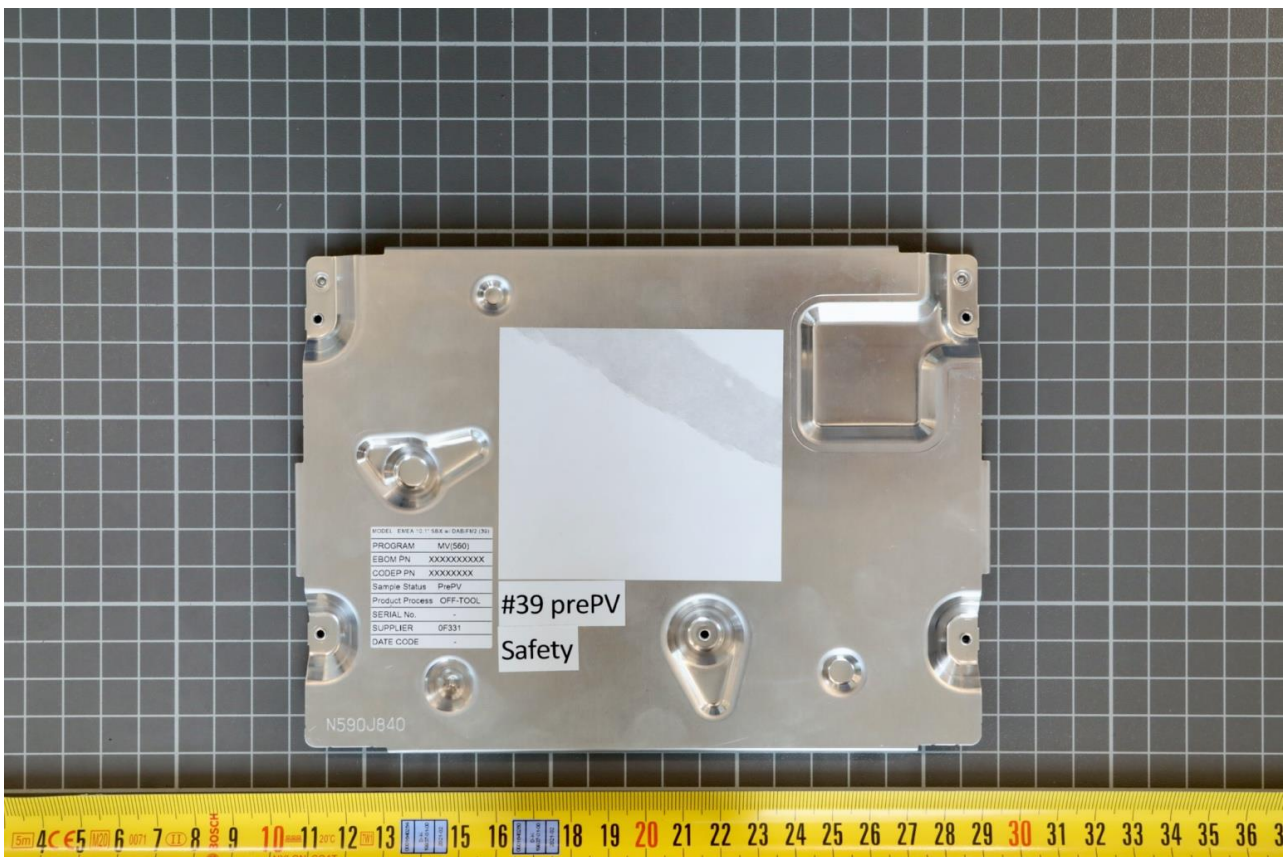
Photo No. 12: printed circuit board with interfaces, front view



2.3 Variant ID #39

2.3.1 Safety EUT, serial number 65335 - Radiated EUT, serial number 65334 (looks identical)

Photo No. 13: front plate, front view



Annex C of TR no.: 21086129-23007-1

Photo No. 14: front plate, rear view

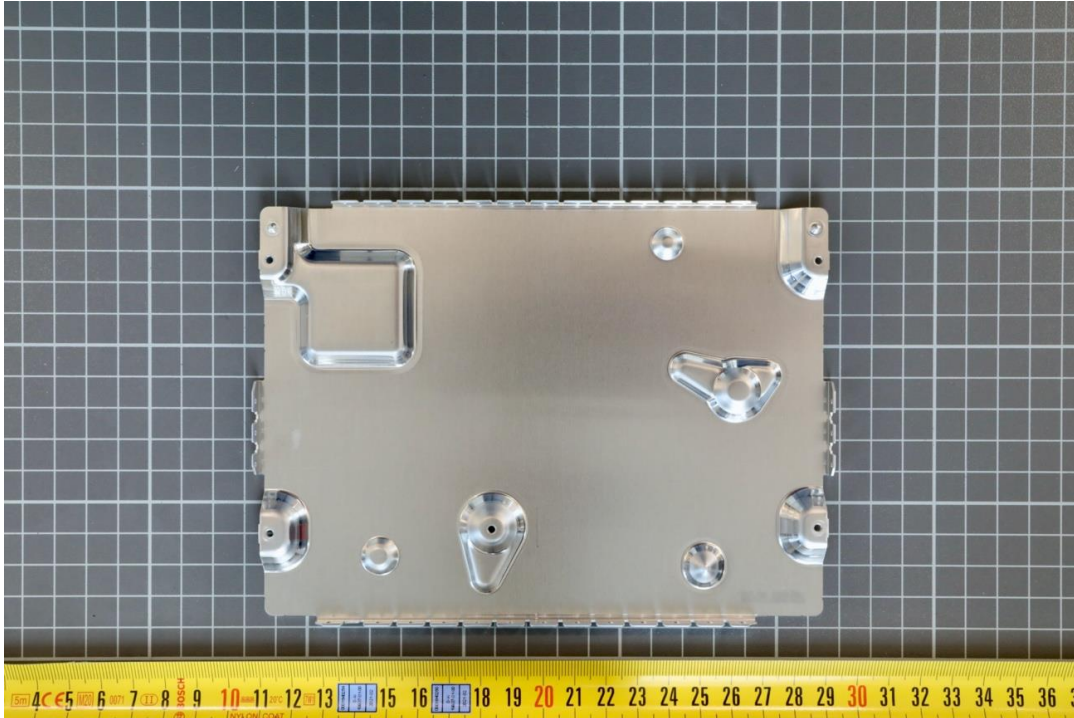
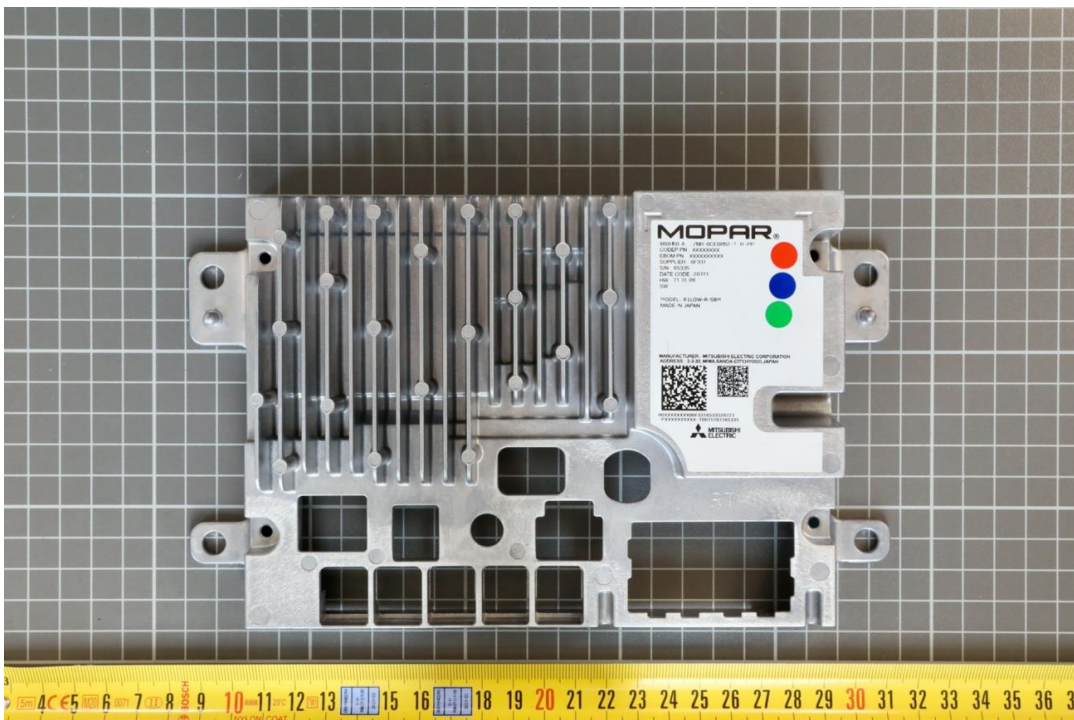


Photo No. 15: housing shell, rear view



Annex C of TR no.: 21086129-23007-1

Photo No. 16: housing shell, inner view

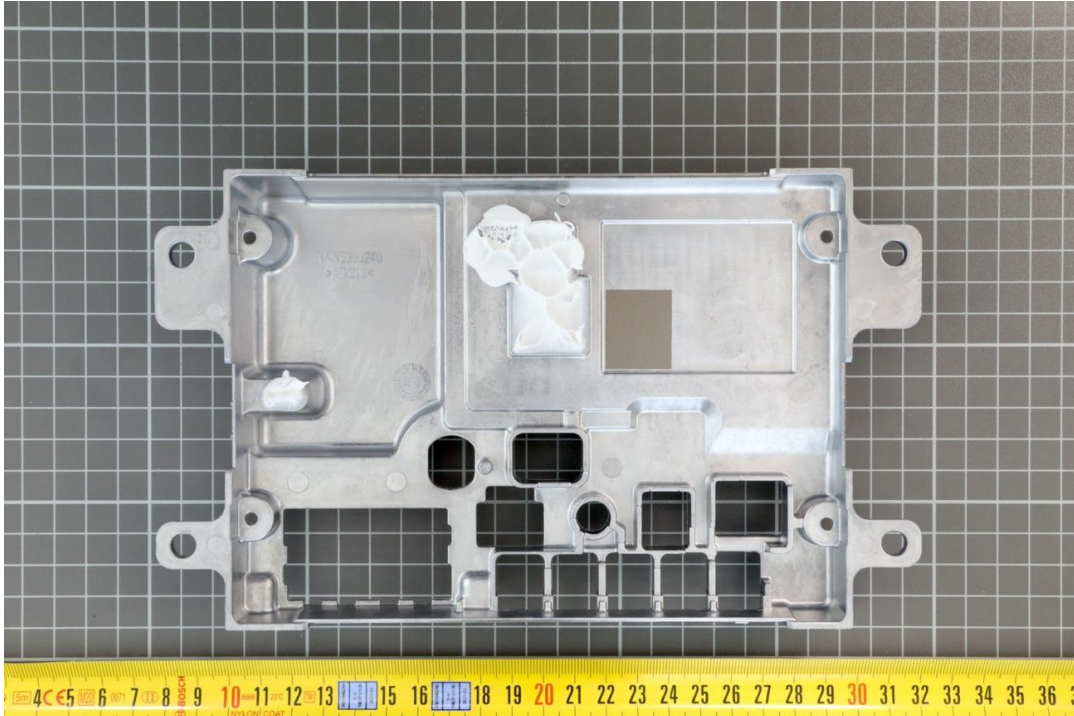
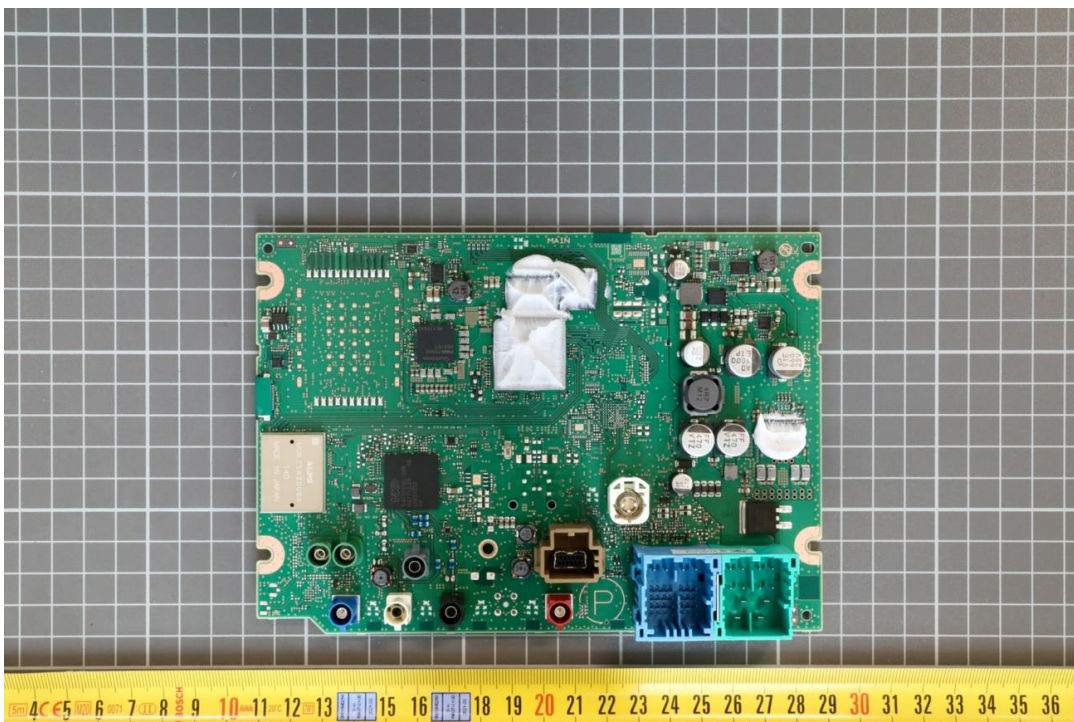
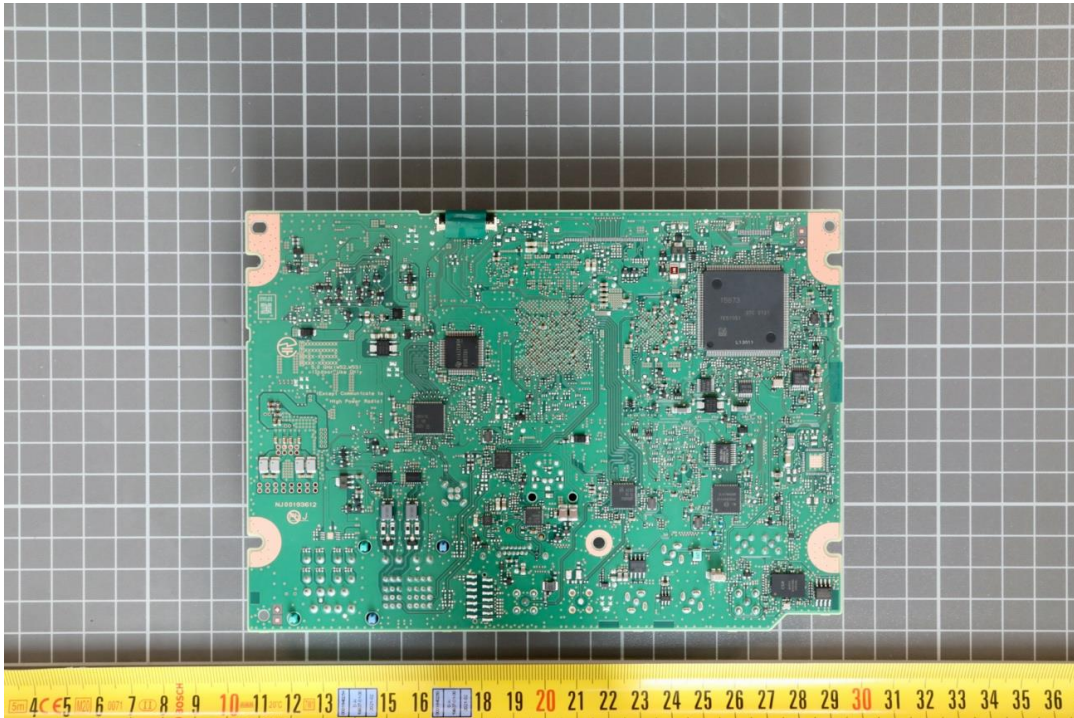


Photo No. 17: printed circuit board with interfaces, rear view



Annex C of TR no.: 21086129-23007-1

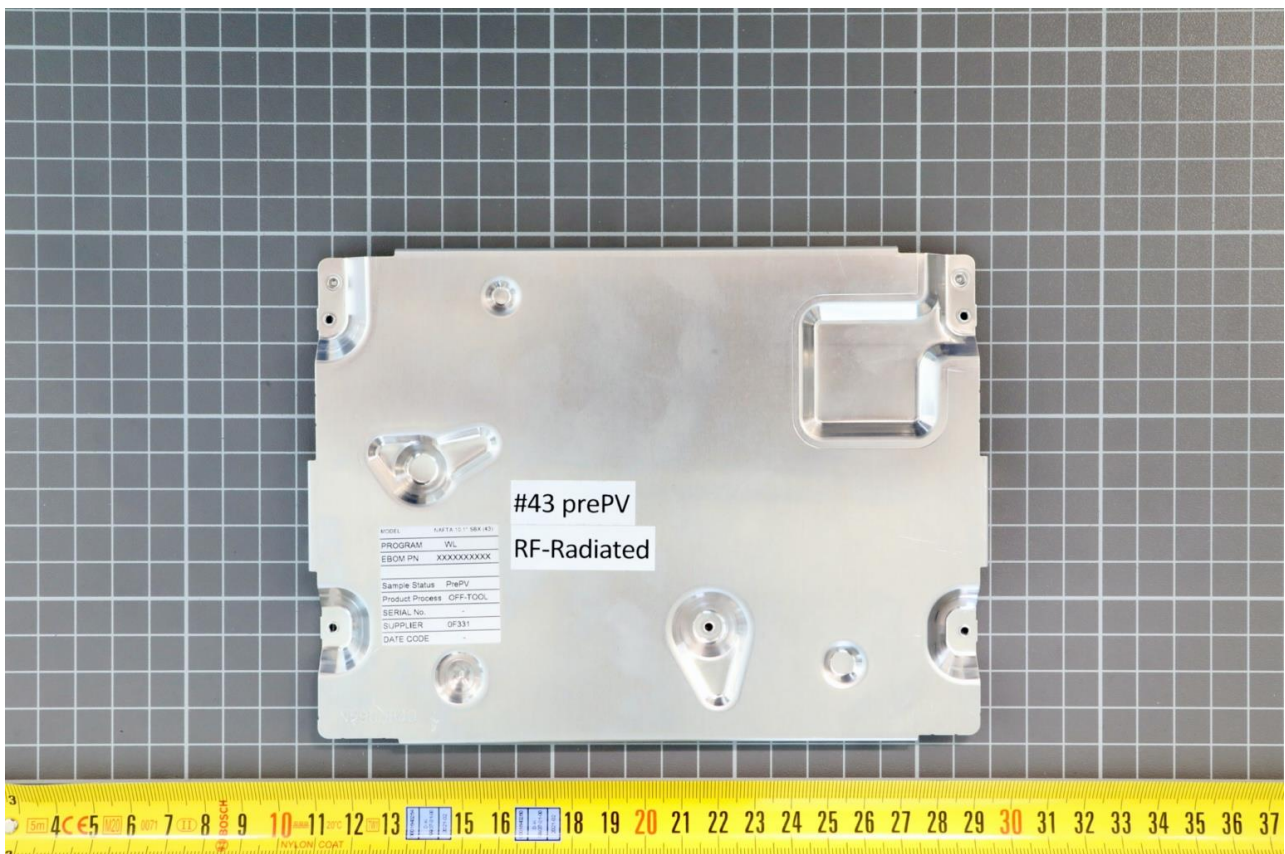
Photo No. 18: printed circuit board with interfaces, front view



2.4 Variant ID #43

2.4.1 Radiated EUT, serial number 66704

Photo No. 19: front plate, front view



Annex C of TR no.: 21086129-23007-1

Photo No. 22: housing shell, inner view

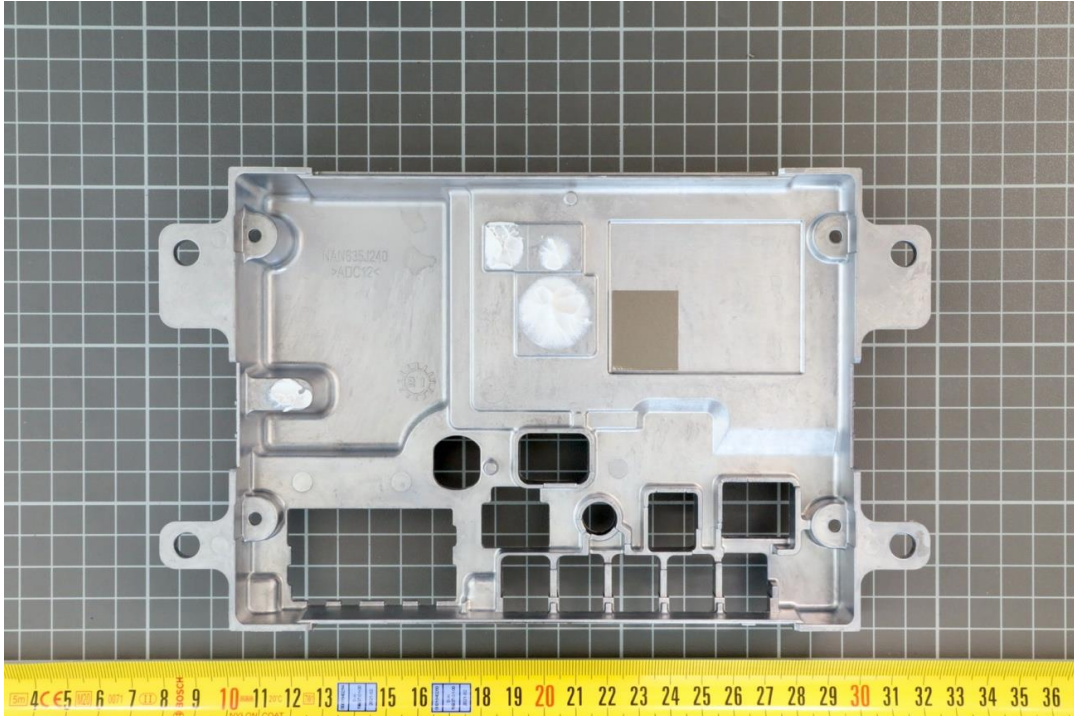
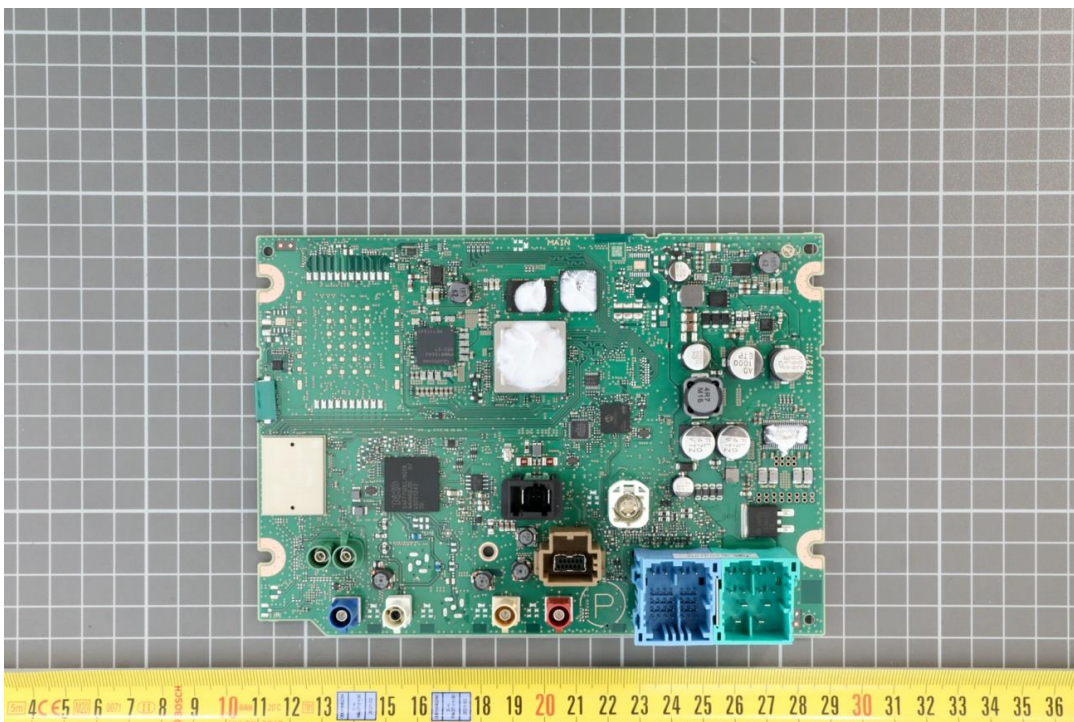
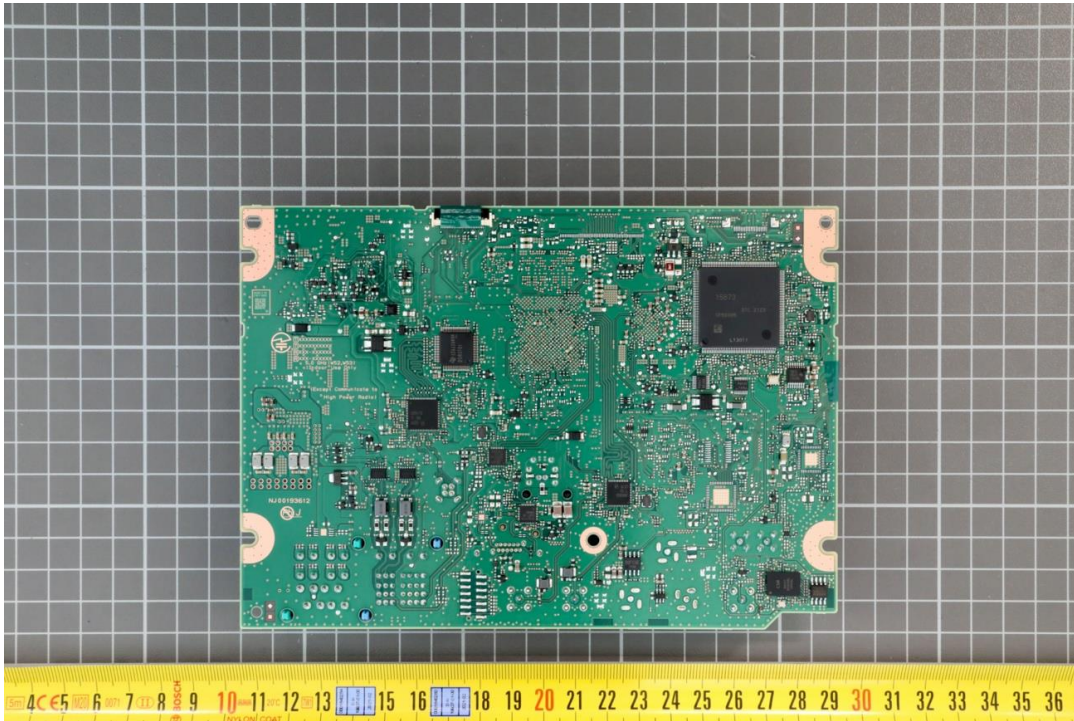


Photo No. 23: printed circuit board with interfaces, rear view



Annex C of TR no.: 21086129-23007-1

Photo No. 24: printed circuit board with interfaces, front view



2.5 Variant ID #48

2.5.1 Radiated EUT, serial number 66805 – Radiated EUT, serial number 66804 (looks identical)

Photo No. 25: front plate, front view



Annex C of TR no.: 21086129-23007-1

Photo No. 26: front plate, rear view

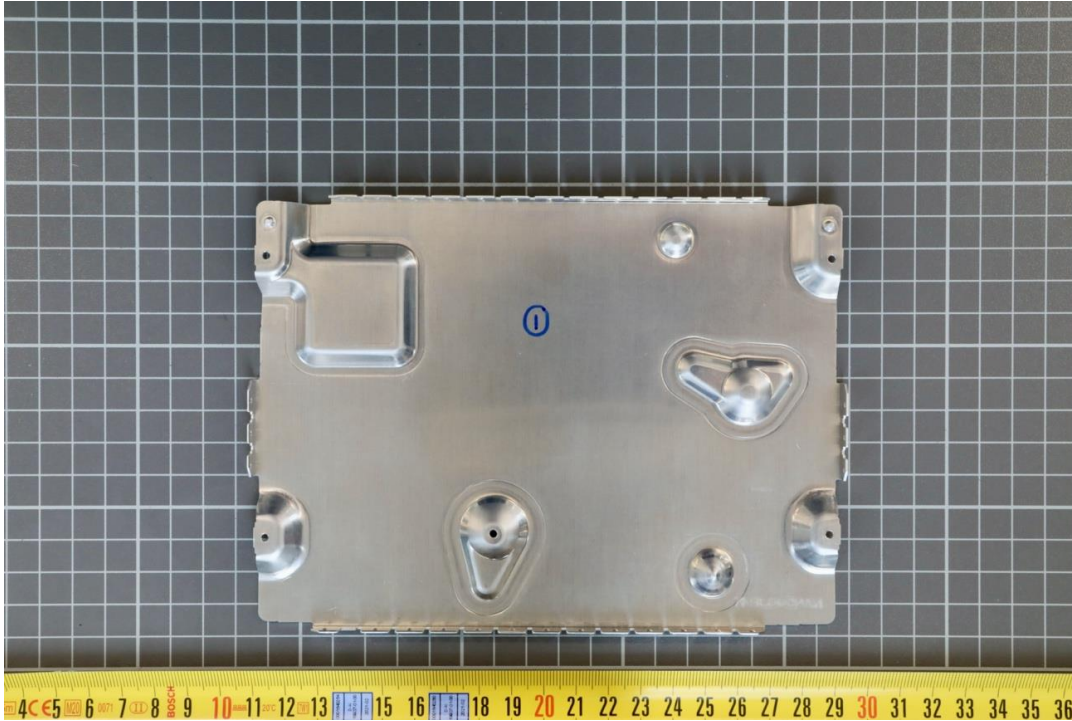
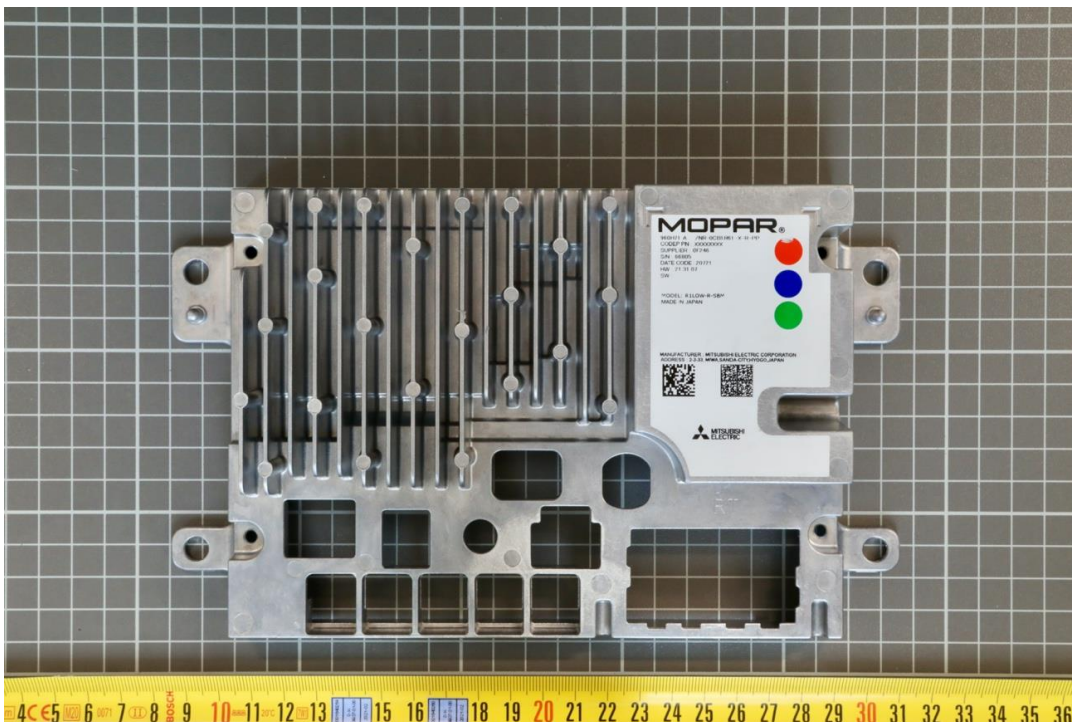


Photo No. 27: housing shell, rear view



Annex C of TR no.: 21086129-23007-1

Photo No. 28: housing shell, inner view

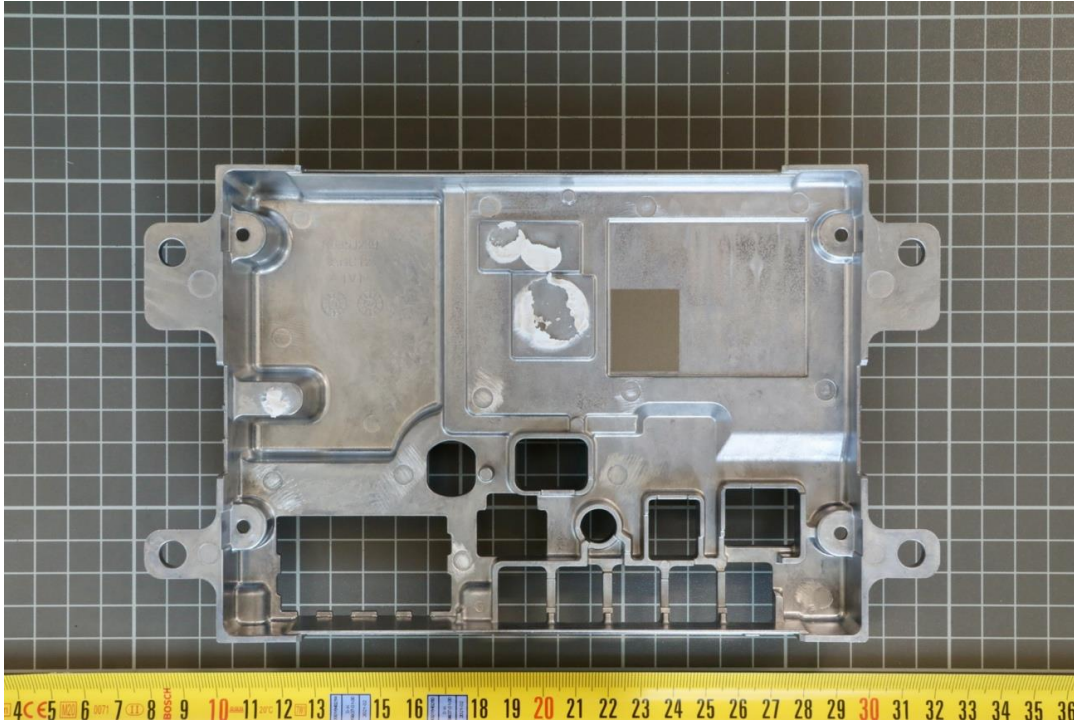
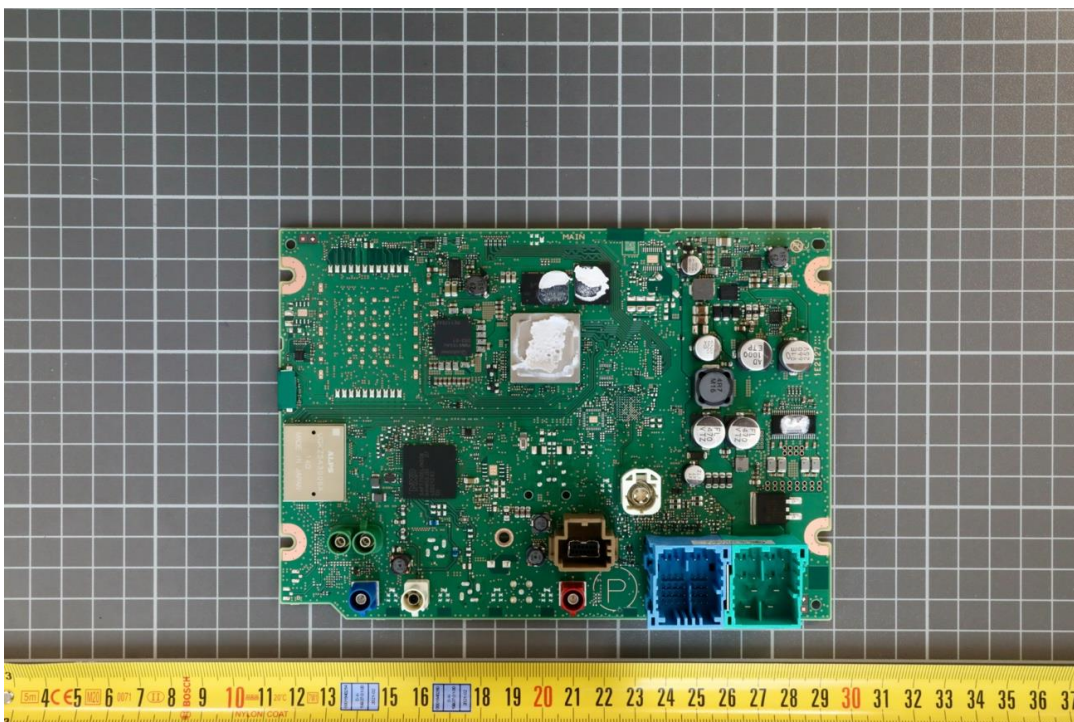
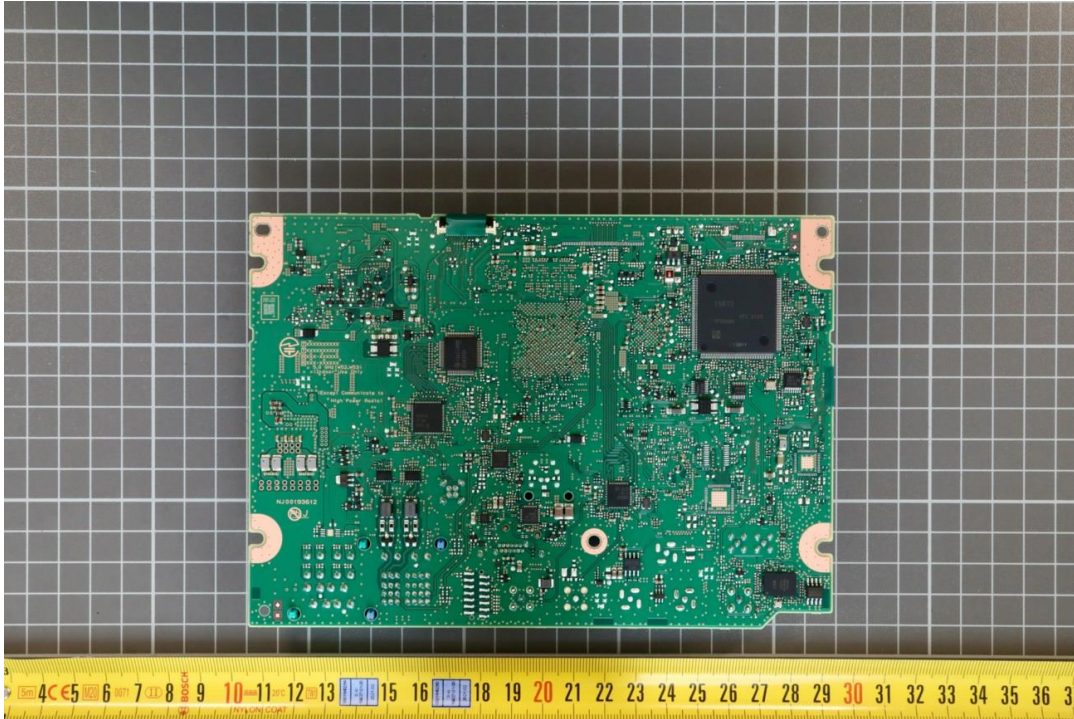


Photo No. 29: printed circuit board with interfaces, rear view



Annex C of TR no.: 21086129-23007-1

Photo No. 30: printed circuit board with interfaces, front view



3 Revision History

-0 Initial Version

-1 Revision: administrative modification/correction

Change of HVIN

This test report 21086129-23007-1 replaces the previous test report 21086129-23007-0

End of Annex
