

Annex A EUT Photographs, external

Photo No. 1: Radiated sample R1LOW-R-SBM 61314, rear view

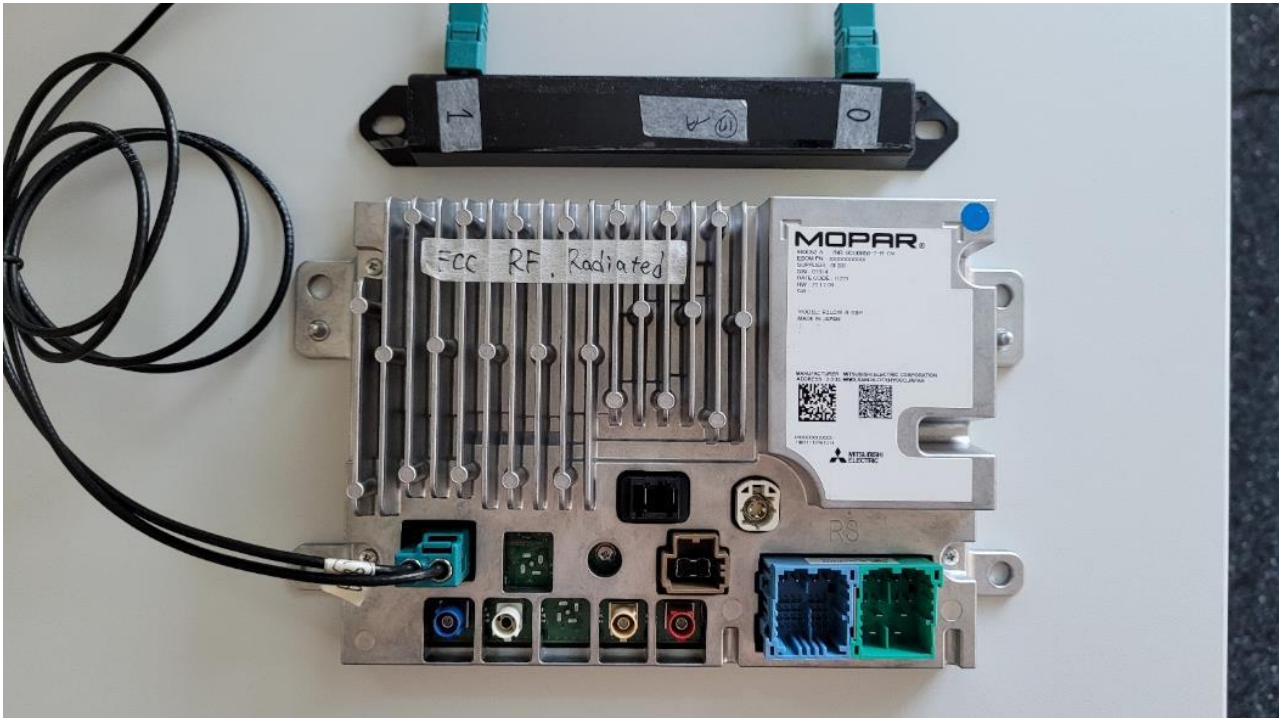
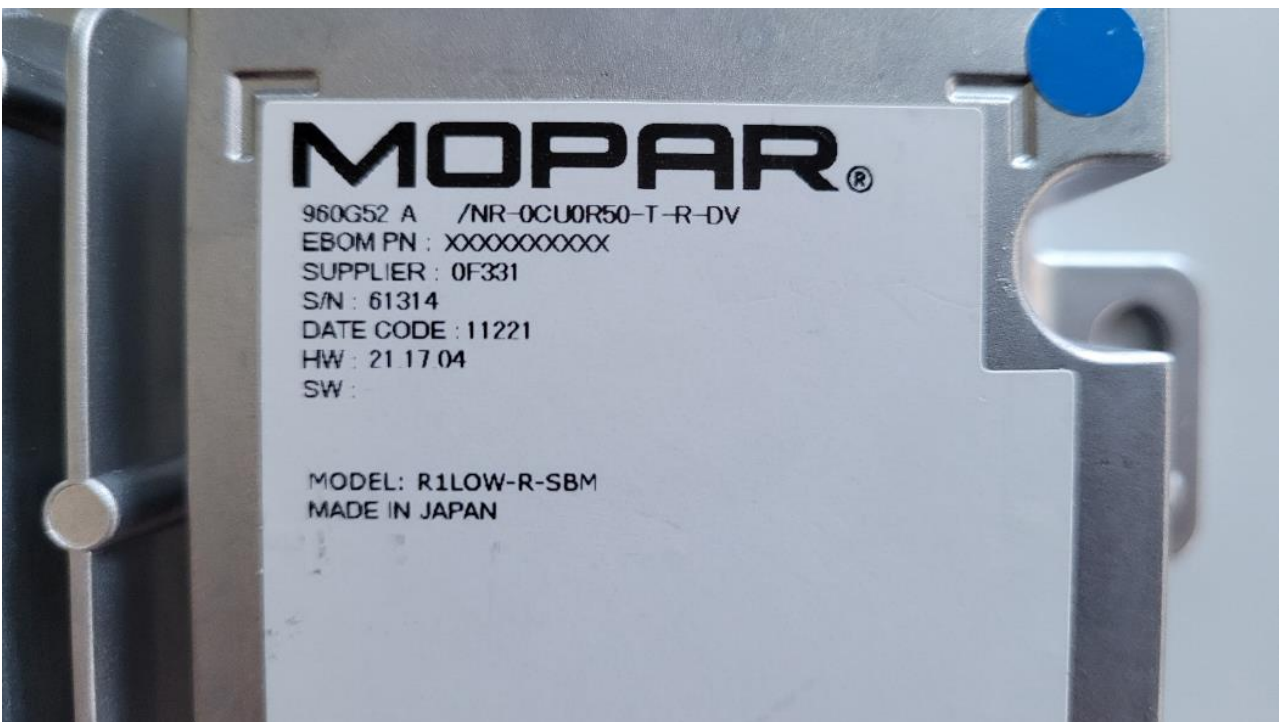


Photo No. 2: Label radiated sample R1LOW-R-SBM 61314



TR no.: 21065785-20824-0

2021-09-10

Photo No. 3: R1LOW-R-SBM external antenna



Photo No. 4: R1LOW-R-SBM external antenna



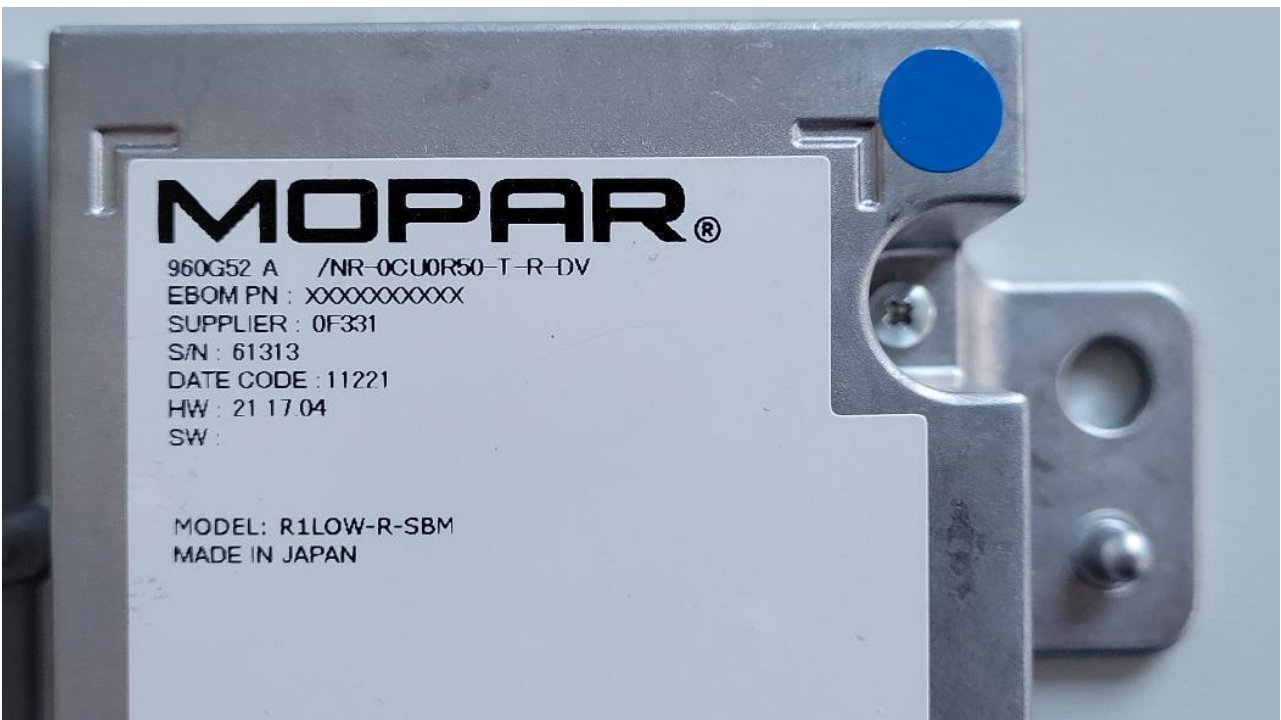
TR no.: 21065785-20824-0

2021-09-10

Photo No. 5: Conducted sample R1LOW-R-SBM 61313, rear view



Photo No. 6: Label conducted sample R1LOW-R-SBM 61313



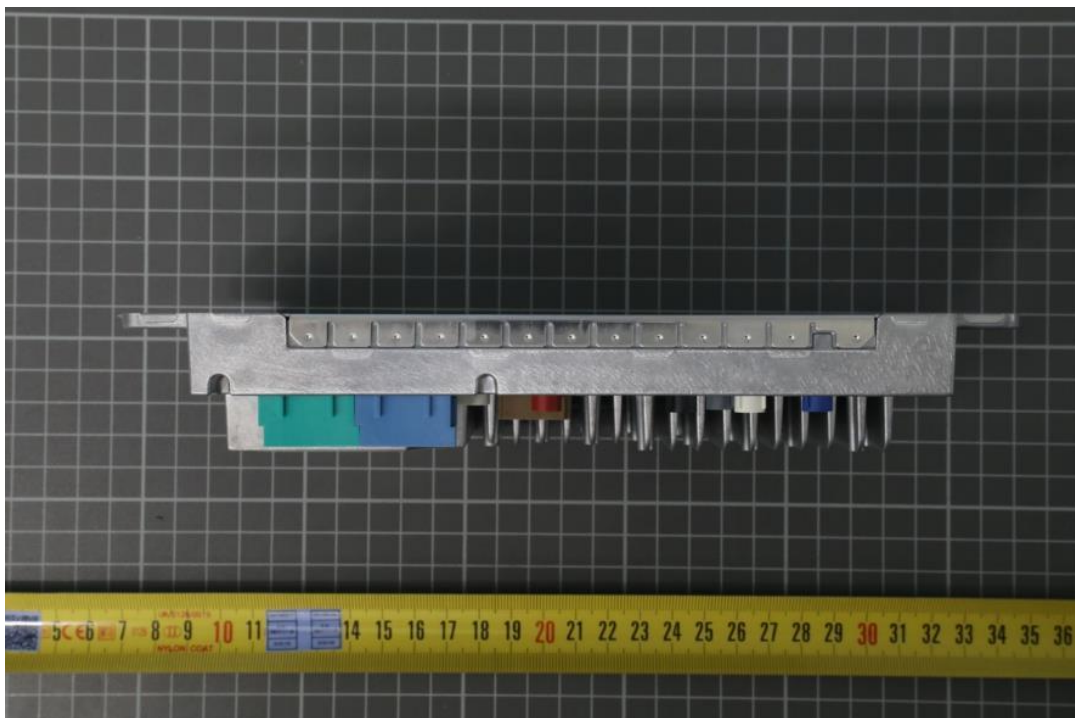
TR no.: 21065785-20824-0

2021-09-10

Photo No. 7: R1LOW-R-SBM front view



Photo No. 8: R1LOW-R-SBM bottom view



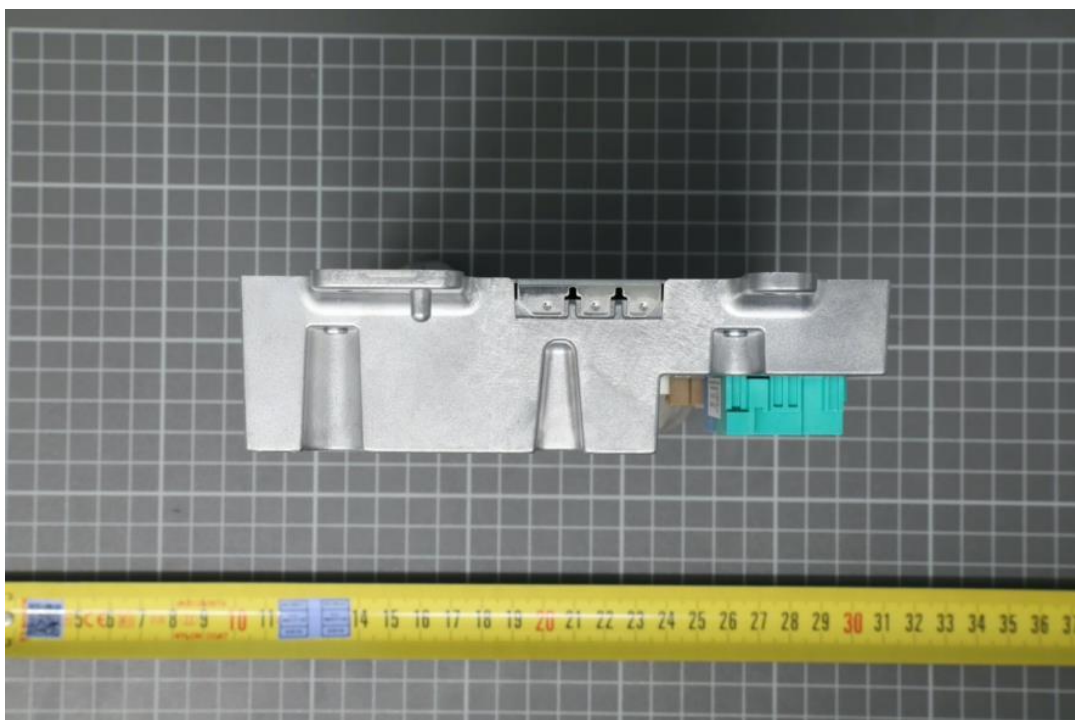
TR no.: 21065785-20824-0

2021-09-10

Photo No. 9: R1LOW-R-SBM top view



Photo No. 10: R1LOW-R-SBM side view left



TR no.: 21065785-20824-0

2021-09-10

Photo No. 11: R1LOW-R-SBM side view right

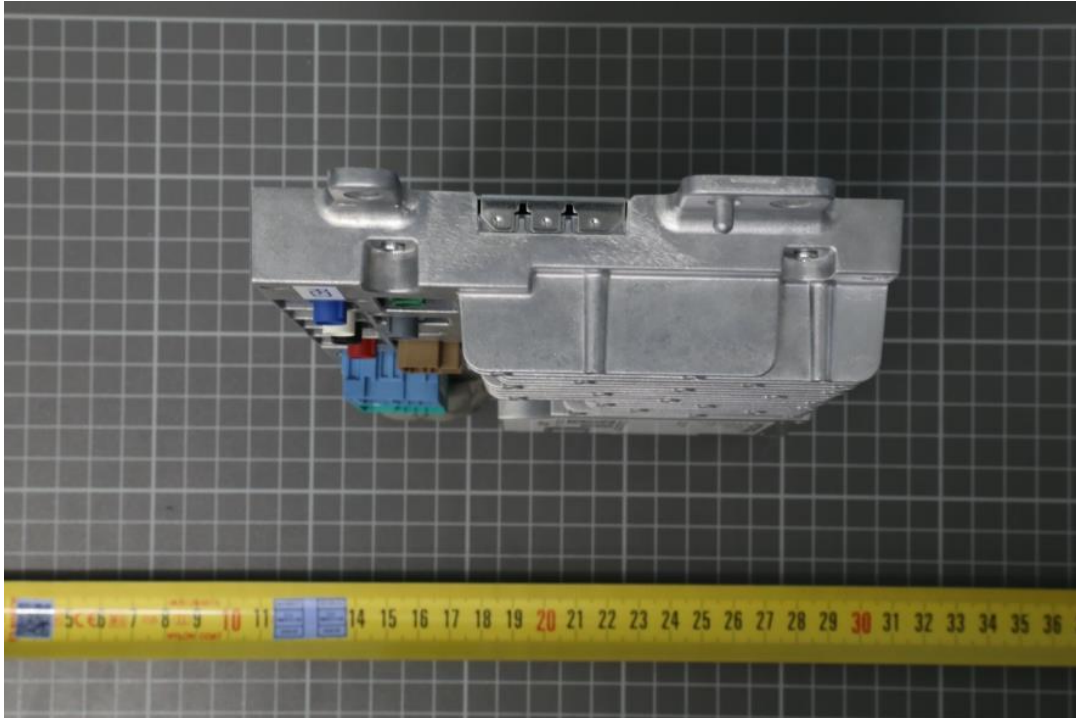


Photo No. 12: conducted sample R1LOW-R 60337, rear view



Photo No. 13: Label conducted sample R1LOW-R 60337



Photo No. 14: R1LOW-R front view



Photo No. 15: R1LOW-R bottom view



Photo No. 16: R1LOW-R top view



Photo No. 17: R1LOW-R side view left

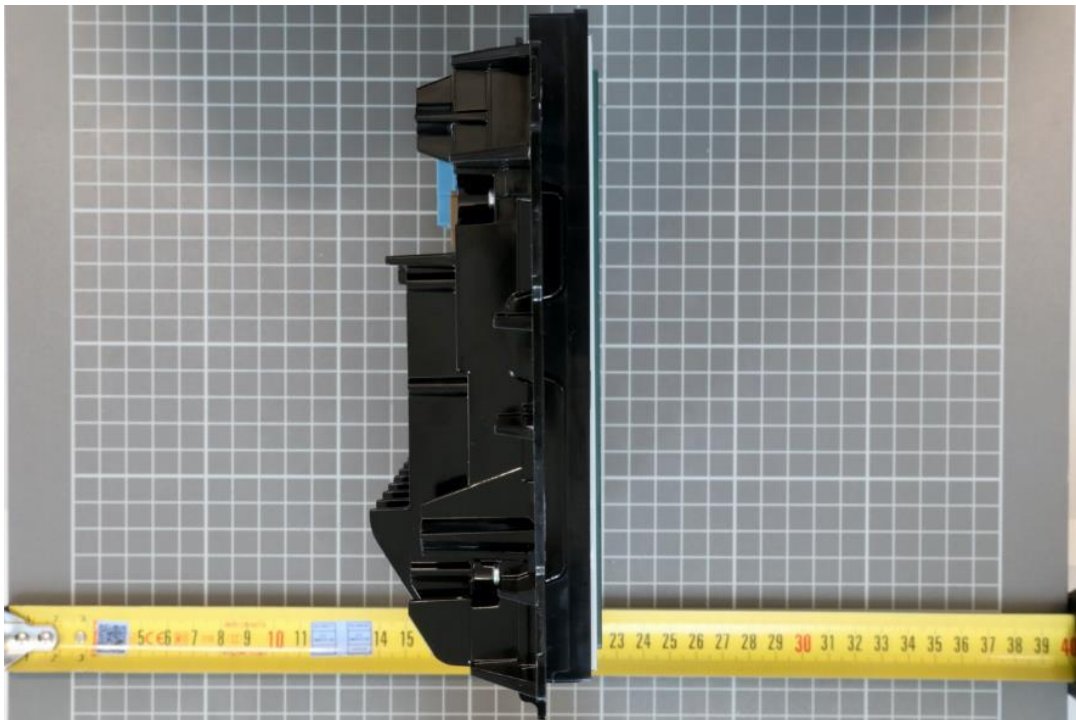


Photo No. 18: R1LOW-R side view right

