

I-ROCKS TECHNOLOGY CO., LTD
ZIP 231, 12F, NO.190, CHUNG-HSIN RD., SEC.2, HSIN-TIEN CITY, TAIPEI
COUNTRY, TAIWAN, R.O.C.
TEL: 886-2-2911-3080 FAX: 886-2-2914-1712

Date: 2016.04.28

Equipment Authorization Division
Office of Engineering and Technology
Federal Communications Commission
7435 Oakland Mills Road
Columbia, MD 21046

Dear Sirs:

I-ROCKS TECHNOLOGY CO., LTD requests acceptance of the labeling proposal described below for DG007 bearing FCC identifier UJ9DG007.

The subject DG007 models as shown in figure 1, authorized under FCC Part 15 Subpart C

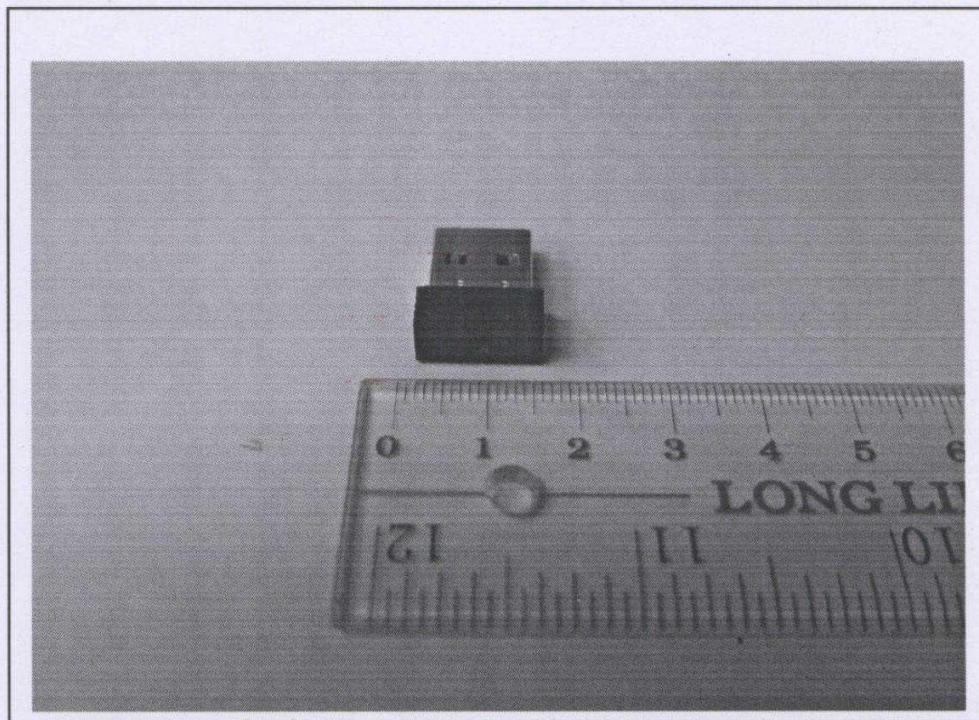
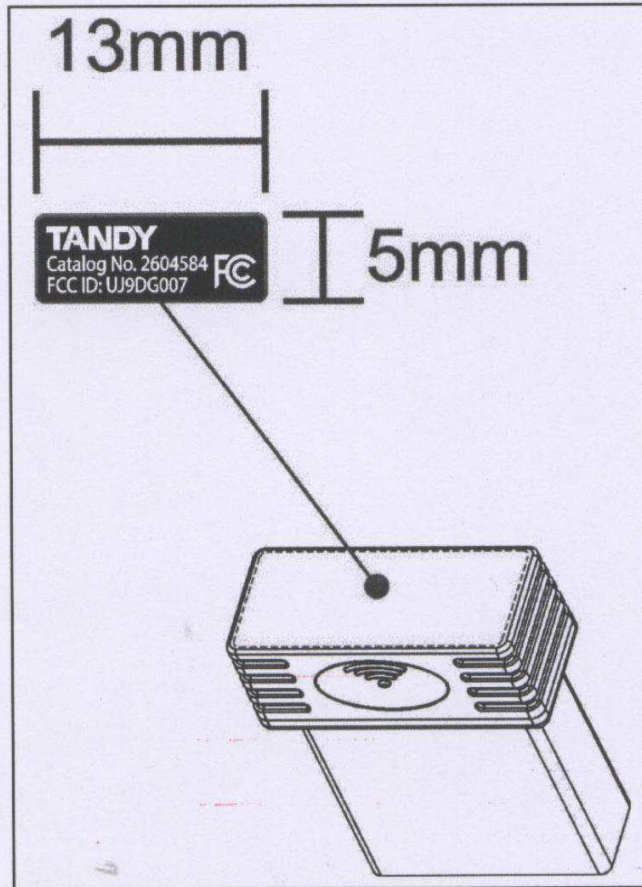


figure 1

I-ROCKS TECHNOLOGY CO., LTD
ZIP 231, 12F, NO.190, CHUNG-HSIN RD., SEC.2, HSIN-TIEN CITY, TAIPEI
COUNTRY, TAIWAN, R.O.C.
TEL: 886-2-2911-3080 FAX: 886-2-2914-1712

It is because the surface of the device does not enough to indicate the FCC statement. For this reason, I-ROCKS TECHNOLOGY CO., LTD proposes those statements is showing on the user manual and the device is carrying the FCC ID number only. The figure2 is showing the FCC ID location.



Sincerely,

I-ROCKS TECHNOLOGY CO., LTD

I-ROCKS TECHNOLOGY CO., LTD.

Brain Wu

Brain Wu
Technical Support Manager

