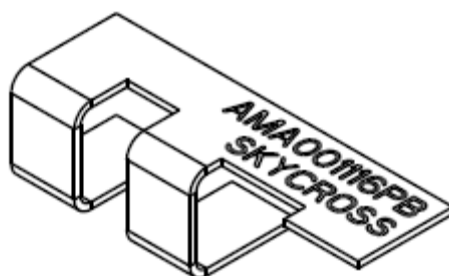


Data Sheet

5GHz Antenna

SkyCross Part Number AAAD00179PB

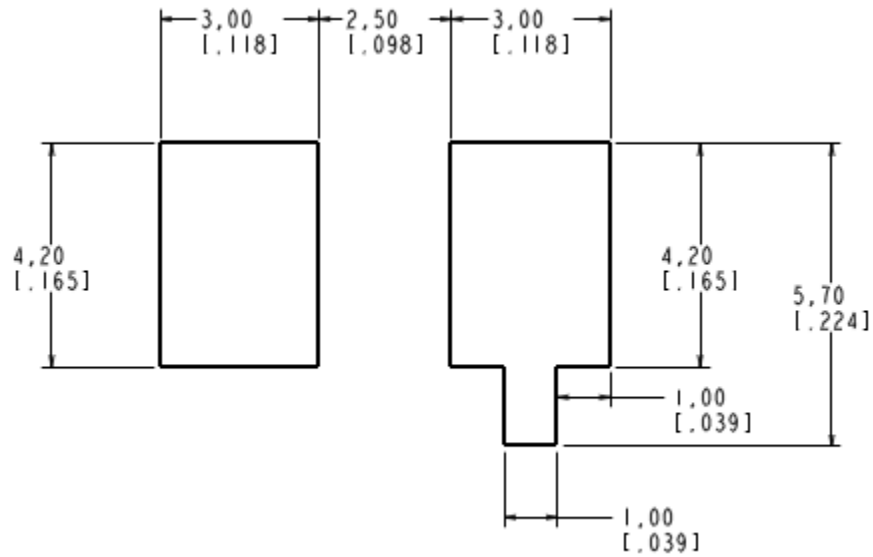


All data presented herein are for antenna mounted on 30mm x 30mm reference pcb tested in free space

Antenna Specifications

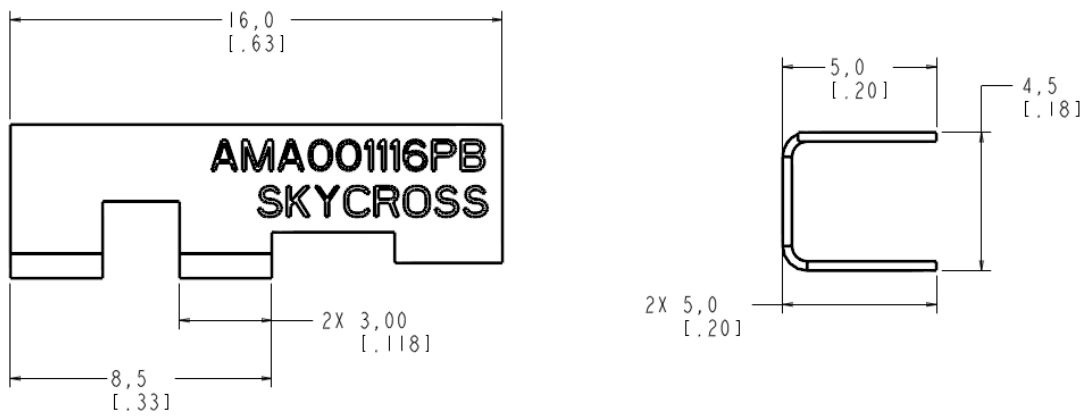
PART NUMBER	TYPE	BAND (MHz)	Efficiency	PEAK GAIN (dBi)	RETURN LOSS (dB)
AAAD00179PB	omni	5150-5350	75%	1.9	<-10
		5725-5850	65%	2.0	<-10

Antenna Footprint



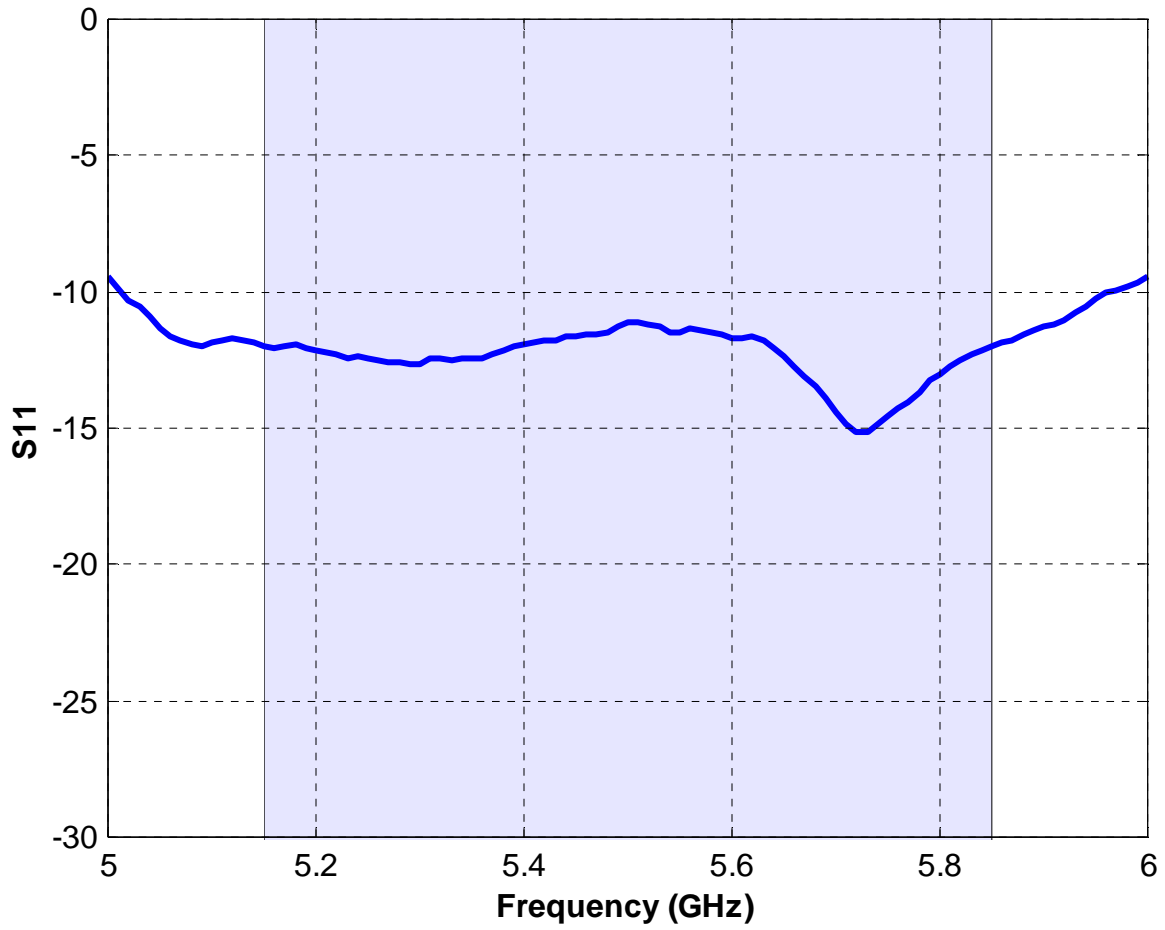
Dimensions in millimeters and [inches].

Antenna Dimensions



Dimensions in millimeters and [inches].

Return Loss (Typical)



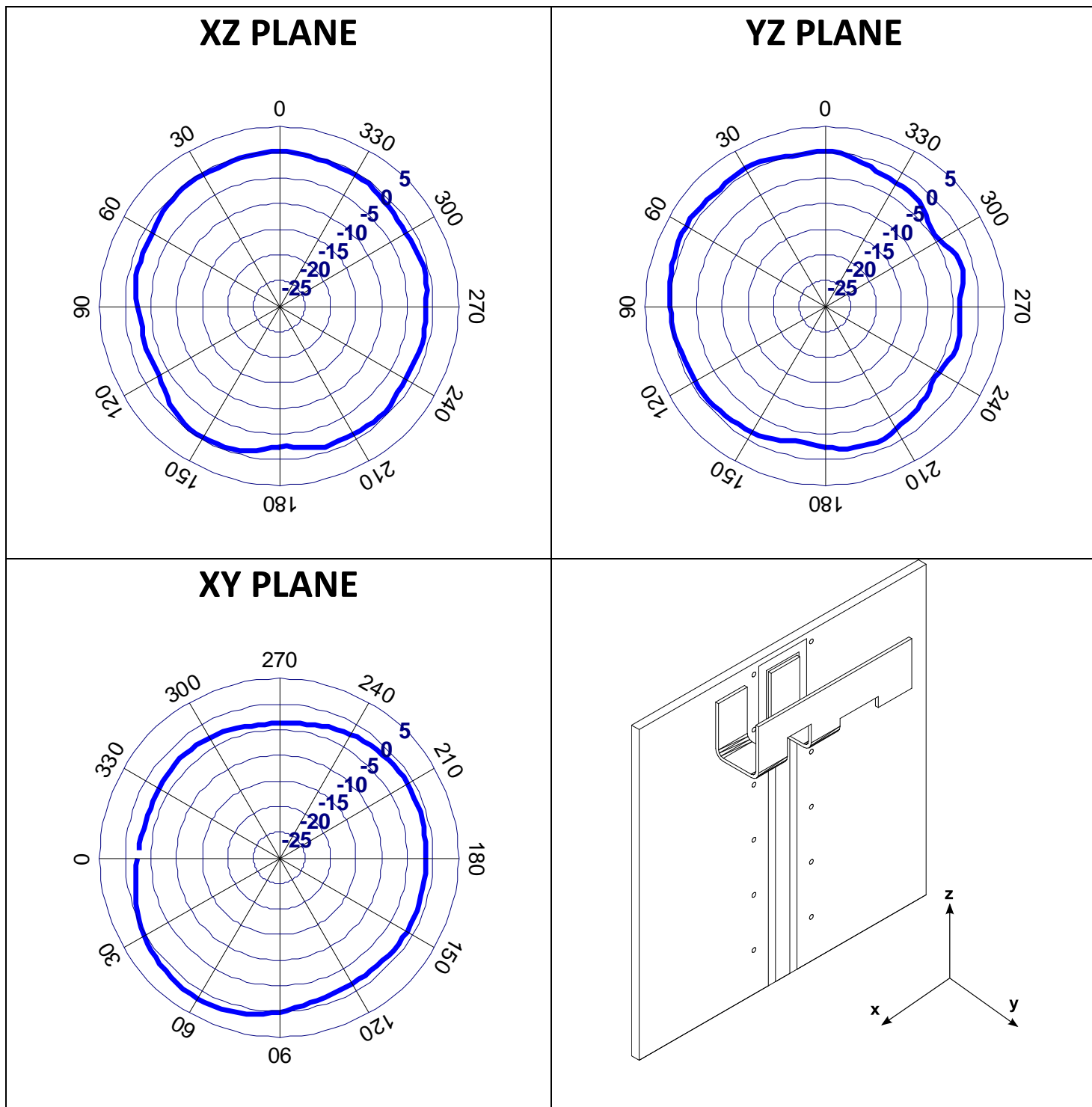
Peak Gain (dBi, typical)

Frequency (MHz)	Peak Gain (dBi)
5000	1.2
5050	1.4
5100	1.1
5150	1.3
5200	1.4
5250	1.7
5300	1.9
5350	1.8
5400	1.9
5450	1.7
5500	1.9
5550	1.9
5600	1.6
5650	1.0
5700	1.1
5750	1.6
5800	2.0
5850	1.6
5900	1.8
5950	1.6
6000	1.4

Efficiency (typical)

Frequency (MHz)	Efficiency
5000	64%
5050	65%
5100	65%
5150	74%
5200	75%
5250	79%
5300	79%
5350	76%
5400	78%
5450	73%
5500	74%
5550	72%
5600	67%
5650	59%
5700	58%
5750	63%
5800	69%
5850	66%
5900	67%
5950	63%
6000	59%

Gain Patterns -dBi - 5.3GHz



The information contained in this document is SkyCross, Inc. confidential and proprietary. Copying, distribution or use without prior authorization is strictly forbidden.