



# Touchstone TG1652G Telephony Gateway

User Guide

Release 16 STANDARD 1.3 October 2015

## ARRIS Copyrights and Trademarks

©ARRIS Enterprises, Inc. 2015 All rights reserved. No part of this publication may be reproduced in any form or by any means or used to make any derivative work (such as translation, transformation, or adaptation) without written permission from ARRIS Enterprises, Inc. ("ARRIS"). ARRIS reserves the right to revise this publication and to make changes in content from time to time without obligation on the part of ARRIS to provide notification of such revision or change.

ARRIS and the ARRIS logo are all trademarks of ARRIS Enterprises, Inc. Other trademarks and trade names may be used in this document to refer to either the entities claiming the marks and the names of their products. ARRIS disclaims proprietary interest in the marks and names of others.

ARRIS provides this guide without warranty of any kind, implied or expressed, including, but not limited to, the implied warranties of merchantability and fitness for a particular purpose. ARRIS may make improvements or changes in the product(s) described in this manual at any time.

The capabilities, system requirements and/or compatibility with third-party products described herein are subject to change without notice.

## Patent Notice

Protected under one or more of the following U.S. patents: <http://www.arris.com/legal>  
Other patents pending.

# Table of Contents

<b>1. Overview .....</b>	<b>5</b>
Introduction .....	5
<b>2. Getting Support .....</b>	<b>6</b>
<b>3. Safety Requirements .....</b>	<b>7</b>
FCC Part 15 .....	8
RF Exposure.....	9
Industry Canada Compliance.....	9
For Mexico .....	9
<b>4. Getting Started .....</b>	<b>10</b>
About Your New Touchstone TG1652G Telephony Gateway .....	10
What's in the Box.....	10
Items You Need .....	11
Getting Service.....	12
System Requirements.....	12
Recommended Hardware .....	12
Windows .....	13
Mac OS.....	13
Linux/Unix .....	13
About this Manual .....	14
What about Security .....	14
Ethernet or Wireless? .....	15
<b>5. Battery Installation and Removal.....</b>	<b>17</b>
Introduction .....	17
Basic Battery Installation and Replacement.....	18
Extended Battery Installation and Replacement.....	20
<b>6. Installing and Connecting your Telephony Gateway .....</b>	<b>23</b>
Front Panel .....	24
Rear Panel.....	25
Selecting an Installation Location.....	25
Factors Affecting Wireless Range .....	26
Mounting the Telephony Gateway.....	27
Tools and Materials .....	27
Location.....	27
Wall Mounting Instructions .....	27

Desktop Mounting Instructions .....	29
Connecting the Telephony Gateway .....	30
Configuring Your Wireless Connection.....	31
Accessing the Configuration Interface.....	32
Setting Parental Controls.....	32
Finding the MAC Address of a Computer .....	32
Making Your Parental Control Settings.....	33
<b>7. Configuring Your Ethernet Connection.....</b>	<b>35</b>
Requirements .....	35
How to use this Chapter .....	35
TCP/IP Configuration for Windows XP.....	35
TCP/IP Configuration for Windows Vista.....	36
TCP/IP Configuration for Windows 7 or Windows 8 .....	36
TCP/IP Configuration for Mac OS X .....	37
<b>8. Using the Telephony Gateway .....</b>	<b>38</b>
Setting up Your Computer to Use the Telephony Gateway .....	38
Indicator Lights for the TG1652G .....	39
Wiring Problems .....	39
Patterns: Normal Operation (LAN and Telephone) .....	39
Patterns: Normal Operation (WAN and Battery).....	40
Patterns: Startup Sequence .....	41
Using the Reset Button .....	42
Resetting the Router to Factory Defaults .....	43
Booting from Battery .....	43
<b>9. Troubleshooting.....</b>	<b>45</b>
The Telephony Gateway is plugged in, but the Power light is Off .....	45
I'm not getting on the Internet (all connections) .....	45
I'm not getting on the Internet (Ethernet) .....	45
I'm not getting on the Internet (Wireless).....	46
My wireless Internet connection stops working sometimes .....	46
I can get on the Internet, but everything is slow .....	46
I don't have a dial tone when I pick up the phone - why? .....	46
<b>10. Glossary .....</b>	<b>48</b>

## Overview

---

### Introduction

Get ready to experience the Internet's express lane! Whether you're checking out streaming media, downloading new software, checking your email, or talking with friends on the phone, the Touchstone TG1652G Telephony Gateway brings it all to you faster and more reliably. All while providing toll quality Voice over IP telephone service and both wired and wireless connectivity. It also provides a Lithium-Ion battery backup to provide continued telephone service during power outages.

The Touchstone TG1652G Telephony Gateway provides four Ethernet connections for use as the hub of your home/office Local Area Network (LAN). The TG1652G also provides 802.11a/b/g/n/ac wireless connectivity for enhanced mobility and versatility. In addition, the TG1652G provides for up to two separate lines of telephone service.



Installation is simple and your cable company will provide assistance to you for any special requirements.

## Getting Support

---

If you need assistance with your ARRIS product please contact your cable company.

For additional technical information and product User Guides please visit the ARRIS Support website at [www.arris.com/consumer](http://www.arris.com/consumer) (<http://www.arris.com/consumer>).

## Safety Requirements

---

The ARRIS Telephony Gateway complies with the applicable requirements for performance, construction, labeling, and information when used as outlined below:



### **CAUTION**

#### **Potential equipment damage**

#### **Potential loss of service**

Connecting the Telephony Gateway to existing telephone wiring should only be performed by a professional installer. Physical connections to the previous telephone provider must be removed and the wiring must be checked; there must not be any voltages. Cancellation of telephone service is not adequate. Failure to do so may result in loss of service and/or permanent damage to the Telephony Gateway.



### **CAUTION**

#### **Risk of shock**

Mains voltages inside this unit. No user serviceable parts inside. Refer service to qualified personnel only!



### **CAUTION**

#### **Risk of explosion**

Replacing the battery with an incorrect type, heating a battery above 75°C, or incinerating a battery, can cause product failure and a risk of fire or battery explosion. Do not dispose of in fire. Recycle or dispose of used batteries responsibly and in accordance with local ordinances.

- The Telephony Gateway is designed to be connected directly to a telephone.
- Connecting the Telephony Gateway to the home's existing telephone wiring should only be performed by a professional installer.
- Do not use product near water (i.e. wet basement, bathtub, sink or near a swimming pool, etc.), to avoid risk of electrocution.
- Do not use the telephone to report a gas leak in the vicinity of the leak.
- The product shall be cleaned using only a damp, lint-free, cloth. No solvents or cleaning agents shall be used.
- Do not use spray cleaners or aerosols on the gateway.
- Avoid using and/or connecting the equipment during an electrical storm, to avoid risk of electrocution.

- Do not locate the equipment within 6 feet (1.9 m) of a flame or ignition source (i.e. heat registers, space heaters, fireplaces, etc.).
- Use only the AC power adapter (if provided) and power cord included with the equipment.
- Equipment should be installed near the power outlet and should be easily accessible.
- The shield of the coaxial cable must be connected to earth (grounded) at the entrance to the building in accordance with applicable national electrical installation codes. In the U.S., this is required by NFPA 70 (National Electrical Code) Article 820. In the European Union and in certain other countries, CATV installation equipotential bonding requirements are specified in IEC 60728-11, *Cable networks for television signals, sound signals and interactive services*, Part 11: Safety. This equipment is intended to be installed in accordance with the requirements of IEC 60728-11 for safe operation.
- If the equipment is to be installed in an area serviced by an IT power line network, as is found in many areas of Norway, special attention should be given that the installation is in accordance with IEC 60728-11, in particular Annex B and Figure B.4.
- In areas of high surge events or poor grounding situations and areas prone to lightning strikes, additional surge protection may be required (i.e. PF11VNT3 from American Power Conversion) on the AC, RF, Ethernet and Phone lines.
- When the Telephony Gateway is connected to a local computer through Ethernet cables, the computer must be properly grounded to the building/residence AC ground network. All plug-in cards within the computer must be properly installed and grounded to the computer frame per the manufacturer's specifications.
- Ensure proper ventilation. Position the Telephony Gateway so that air flows freely around it and the ventilation holes on the unit are not blocked.
- Do not mount the Telephony Gateway on surfaces that are sensitive to heat and/or which may be damaged by the heat generated by the modem, its power supply, or other accessories.

## FCC Part 15

This equipment has been tested and found to comply with the requirements for a Class B digital device under Part 15 of the Federal Communications Commission (FCC) rules. These requirements are intended to provide reasonable protection against harmful interference in a residential installation. This equipment generates, uses and can radiate radio frequency energy and, if not installed and used in accordance with the instructions, may cause harmful interference to radio communications. However, there is no guarantee that interference will not occur in a particular installation. If this equipment does cause harmful interference to radio or television reception, which can be determined by turning the equipment off and on, the user is encouraged to try to correct the interference by one or more of the following measures:

- Reorient or relocate the receiving antenna.
- Increase the separation between the equipment and receiver.
- Connect the equipment into an outlet on a circuit different from that to which the receiver is connected.
- Consult the dealer or an experienced radio/TV technician for help.





**WARNING**

Changes or modifications to this equipment not expressly approved by the party responsible for compliance could void the user's authority to operate the equipment.

## RF Exposure

This equipment complies with FCC radiation exposure limits set forth for an uncontrolled environment. This equipment should be installed and operated with minimum distance of 7.9 inches (20cm) between the radiator and your body. This transmitter must not be co-located or operating in conjunction with any other antenna or transmitter.

## Industry Canada Compliance

Under Industry Canada regulations, this radio transmitter may only operate using an antenna of a type and maximum (or lesser) gain approved for the transmitter by Industry Canada. To reduce potential radio interference to other users, the antenna type and its gain should be so chosen that the equivalent isotropically radiated power (e.i.r.p.) is not more than that necessary for successful communication.

This device complies with Industry Canada license-exempt RSS standard(s). Operation is subject to the following two conditions: (1) this device may not cause interference, and (2) this device must accept any interference, including interference that may cause undesired operation of the device.

## For Mexico

The operation of this equipment is subject to the following two conditions: (1) This equipment or device cannot cause harmful interference and (2) this equipment or device must accept any interference, including interference that may cause some unwanted operation of the equipment.

## Getting Started

---

### About Your New Touchstone TG1652G Telephony Gateway

The Touchstone TG1652G Telephony Gateway is DOCSIS compliant with the following features:

- Speed: much faster than dialup or ISDN service; up to sixteen times faster than DOCSIS 2.0 cable modems.
- Convenience: supports Ethernet and 802.11a/b/g/n/ac wireless connections; both can be used simultaneously
- Flexibility: provides two independent lines of telephone service as well as high speed data
- Compatibility:
  - Data services: DOCSIS 3.0 compliant and backward-compatible with DOCSIS 2.0 or 1.1; supports tiered data services (if offered by your cable -company)
  - Telephony services: PacketCable™ 1.5 or 1.0 compliant

The TG1652G provides:

- Wireless 802.11a/b/g/n/ac connectivity
- Four Ethernet ports for connections to non-wireless devices
- Up to two lines of telephone service
- DOCSIS 3.0 compliant with Li-Ion backup battery
- One USB host port (future support for external USB devices)

### What's in the Box

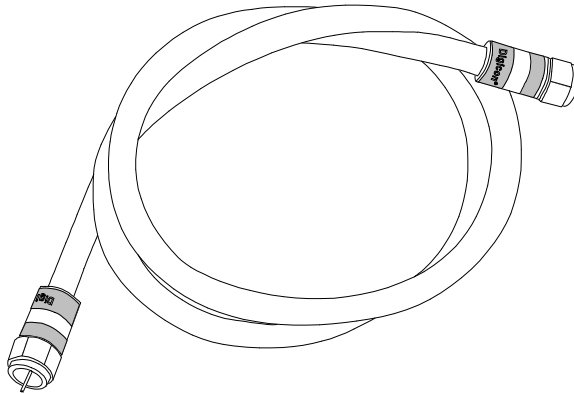
Make sure you have the following items before proceeding. Call your cable company for assistance if anything is missing.

- Telephony Gateway
- Power Cord
- Battery (not included with all models)
- Wireless Connection Configuration Guide
- Ethernet Cable
- End User License Agreement

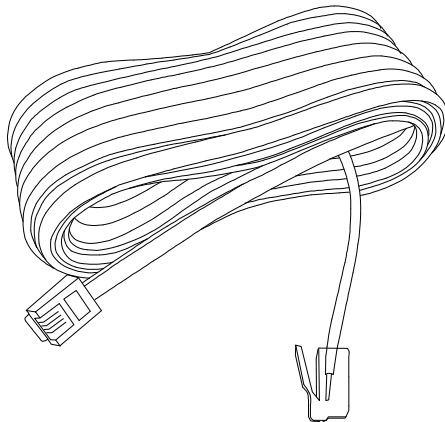
## Items You Need

If you are installing the Telephony Gateway yourself, make sure you have the following items on hand before continuing:

- **Telephony Gateway package:** see [What's in the Box](#) (page 10) for a list of items in the package.
- **Coaxial cable (coax):** This is a round cable with a connector on each end. It is the same kind of wire used to connect to your television for cable TV. You can buy coax from any electronics retailer and many discount stores; make sure it has connectors on both ends. There are two types of connectors, slip-on and screw-on; the screw-on connectors are best for use with your Telephony Gateway. The coax should be long enough to reach from your Telephony Gateway to the nearest cable outlet.



- **Phone Cable:** This is a standard phone cable with standard phone connectors (RJ11 type) on both ends. You can buy phone cables from any electronics retailer and many discount stores.



- **Splitter (optional):** provides an extra cable connection by splitting a single outlet into two. You may need a splitter if you have a TV already connected to the cable outlet that you want to use. You can buy a splitter from any electronics retailer and most discount stores; you may also need a short piece of coax cable (with connectors); use it to connect the splitter to the cable outlet and then connect the Telephony Gateway and TV to the splitter.



**Note:** A splitter effectively cuts the signal in half and sends each half to its two outputs. Using several splitters in a line may deteriorate the quality of your television, telephone, and/or internet connection.

- **Wall-mounting Bracket (optional):** if you want to wall-mount your Telephony Gateway, you need to obtain two drywall anchors or wood screws and order a wall-mounting bracket from your cable company.
- **Information packet:** your cable company should furnish you with a packet containing information about your service and how to set it up. Read this information carefully and contact your cable company if you have any questions.

## Getting Service

Before trying to use your new Telephony Gateway, contact your local cable company to establish an Internet account and telephone service. When you call, have the following information ready:

- the Telephony Gateway serial number and cable MAC addresses of the unit (printed on a sticker on the bottom of the Telephony Gateway)
- the model number of the Telephony Gateway

If the Telephony Gateway was provided by your cable company, they already have the required information.

In addition, you should ask your cable company the following questions:

- Do you have any special system requirements or files that I need to download after I am connected?
- When can I start using my Telephony Gateway?
- Do I need a user ID or password to access the Internet or my e-mail?
- Will my phone number(s) change?
- What new calling features will I have and how do I use them?

## System Requirements

The Touchstone Telephony Gateway operates with most computers. The following describes requirements for each operating system; see the documentation for your system for details on enabling and configuring networking.

To use the Telephony Gateway, you need DOCSIS high-speed Internet service from your cable company. Telephone service requires that the cable company has PacketCable support.

## Recommended Hardware

The following hardware configuration is recommended. Computers not meeting this configuration can still work with the TG1652G, but may not be able to make maximum use of TG1652G throughput.

- CPU: P4, 3GHz or faster
- RAM: 1GB or greater
- Hard drive: 7200 RPM or faster
- Ethernet: Gig-E (1000BaseT)

## Windows

Windows XP , Windows Vista, Windows 7, or Windows 8. A supported Ethernet or wireless LAN connection must be available.

## Mac OS

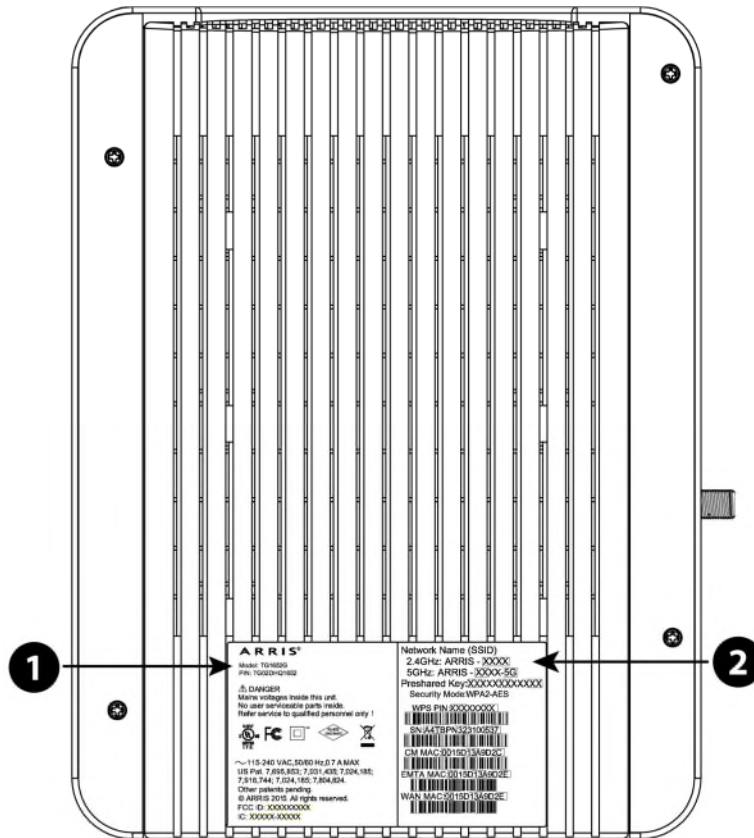
System 7.5 to Mac OS 9.2 (Open Transport recommended) or Mac OS X. A supported Ethernet or wireless LAN connection must be available.

## Linux/Unix

Hardware drivers, TCP/IP, and DHCP must be enabled in the kernel. A supported Ethernet or wireless LAN connection must be available.

## About this Manual

This manual covers the Touchstone TG1652G Telephony Gateway. The model number is on the label affixed to the Telephony Gateway.



1. Model Number
2. Security Label

## What about Security

Having a high-speed, always-on connection to the Internet requires a certain amount of responsibility to other Internet users—including the need to maintain a reasonably secure system. While no system is 100% secure, you can use the following tips to enhance your system's security:

- Keep the operating system of your computer updated with the latest security patches. Run the system update utility at least weekly.
- Keep your email program updated with the latest security patches. In addition, avoid opening email containing attachments, or opening files sent through chat rooms, whenever possible.
- Install a virus checker and keep it updated.

- Avoid providing web or file-sharing services over your Telephony Gateway. Besides certain vulnerability problems, most cable companies prohibit running servers on consumer-level accounts and may suspend your account for violating your terms of service.
- Use the cable company's mail servers for sending email.
- Avoid using proxy software unless you are certain that it is not open for abuse by other Internet users (some are shipped open by default). Criminals can take advantage of open proxies to hide their identity when breaking into other computers or sending spam. If you have an open proxy, your cable company may suspend your account to protect the rest of the network.
- The TG1652G ships with wireless LAN security set by default (for the same reasons that you should run only secured proxies). See the security label on your product for the factory security settings. If you need to modify the default wireless security settings, see *Configuring Your Wireless Connection*.

## Ethernet or Wireless?

There are two ways to connect your computer (or other equipment) to the Telephony Gateway. The following will help you decide which is best for you:

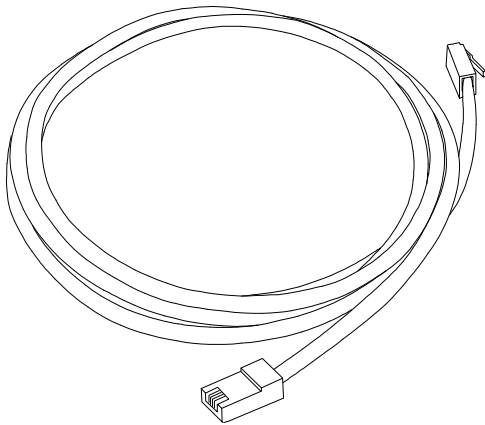
### Ethernet

Ethernet is a standard method of connecting two or more computers into a Local Area Network (LAN). You can use the Ethernet connection if your computer has built-in Ethernet hardware.



**Note:** To connect more than four computers to the TG1652G through the Ethernet ports, you need an Ethernet hub (available at computer retailers).

The Telephony Gateway package comes with one 4-foot (1.2m) Ethernet cable (the connectors look like wide telephone connectors); you can purchase more cables if necessary at a computer retailer. If you are connecting the Telephony Gateway directly to a computer, or to an Ethernet hub with a cross-over switch, ask for Category 5e (CAT5e) straight-through cable. CAT5e cable is required for gigabit Ethernet (Gig-E), not regular CAT5 cable.



### **Wireless**

Wireless access lets you connect additional (wireless-capable) devices to Telephony Gateway. The 802.11 wireless LAN standard allows one or more computers to access the TG1652G using a wireless (radio) signal. These connections are in addition to the connections supported via Ethernet.



**Note:** You can use the wireless connection if your computer has a built-in or aftermarket plug-in wireless adapter. To learn more about which wireless hardware works best with your computer, see your computer dealer.

### **Both**

If you have two or more computers, you can use Ethernet for up to four devices and wireless for the others. To connect five or more computers to the Ethernet ports, you will need an Ethernet hub (available at computer retailers.)



# Battery Installation and Removal

## Introduction

The TG1652G Telephony Gateway supports a Lithium-Ion backup battery to provide continued telephone service during power outages. The battery backup is not intended to take the place of AC power.



**Note:** For safety and regulatory purposes, batteries are shipped outside of the Telephony Gateway and must be installed.

The TG1652G supports the following battery models:

- Basic backup battery: provides up to 8 hours of backup time, depending on model and usage. It has a strap between the battery guides.



### Basic Backup Battery

Refer to [Extended Battery Installation and Replacement](#) (page 20).

- Small backup battery: provides up to 4 hours of backup time, depending on your Telephony Gateway model and usage. It may be light gray (recommended battery) or black.



### Small Backup Battery (Gray)

Refer to *Basic Battery Installation and Replacement* (page 18).

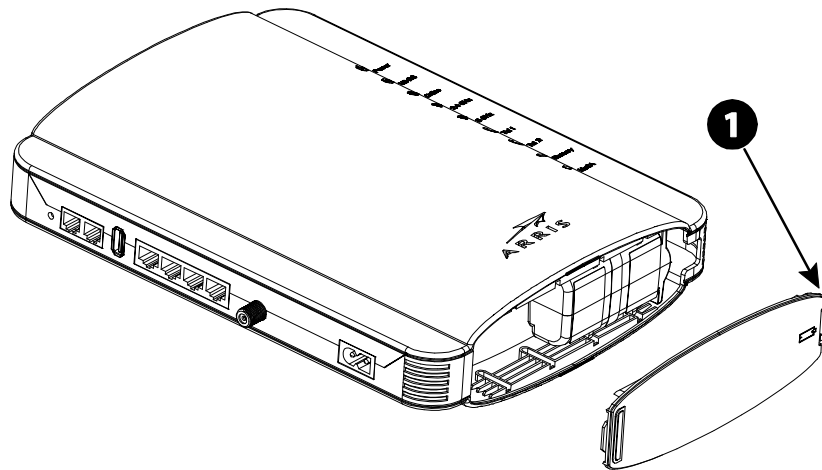
Your cable company may include a backup battery with your Telephony Gateway. You can order any of the batteries shown here at <http://yourbroadbandstore.com/>

## Basic Battery Installation and Replacement

This model of the Telephony Gateway has the ability to provide continued telephone service during power outages. The battery backup is not intended to take the place of AC power.

Use this procedure to install and to replace the backup battery.

1. Press down and pull back on the latch holding the battery door (on the bottom of the Telephony Gateway). Pull the door toward you. Set the door aside in a safe place.



1 - Latch End

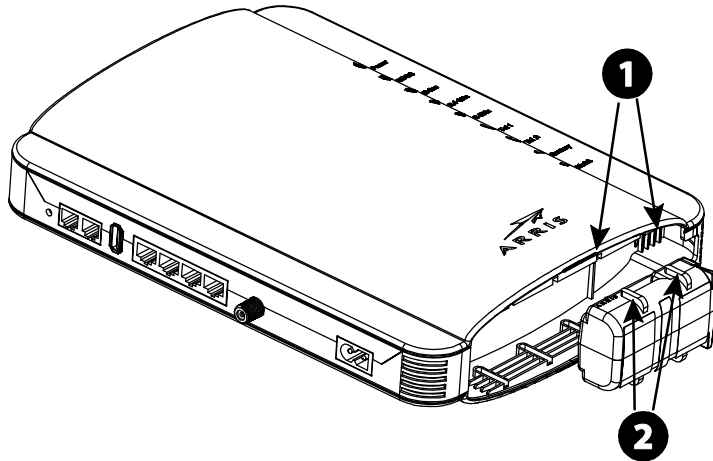


### CAUTION

#### Risk of equipment damage

Improperly inserting the battery may damage the battery connector in the Telephony Gateway. Carefully follow the instructions in the next step to avoid damage.

2. Hold the battery pack so that the guides on the battery align with the slots on the Telephony Gateway and slide the battery into the bay.



- 1 - Battery Slots
- 2 - Battery Guides



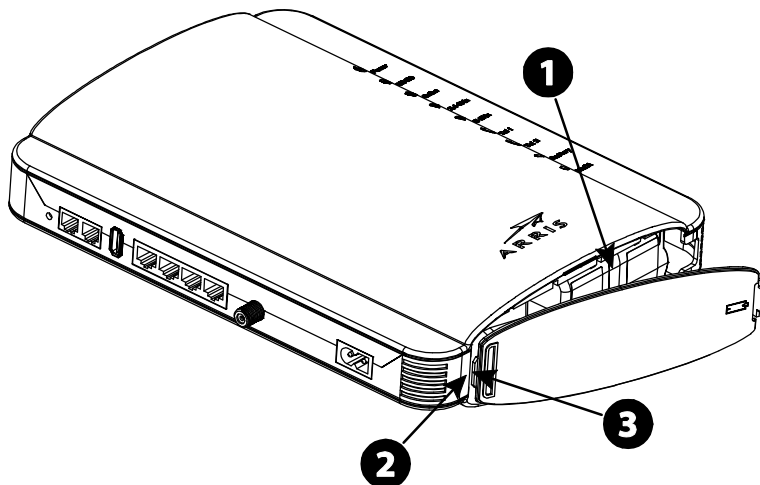
**Note:** Batteries will not insert completely into the Telephony Gateway if not oriented correctly. The battery should slide into the bay without significant force. Line up the guides on the battery with the slots in the battery bay.

3. Push the battery pack into the bay until it seats into place. **If you are taking the battery out of the Telephony Gateway, position your finger in the battery opening area and use leverage to dislodge the battery while pulling it straight back.**



**Note:** The Telephony Gateway will not begin operating until you apply AC power.

4. Replace the door. To do so, place the hinge tabs of the battery door into the receiver slots inside the Telephony Gateway battery compartment on the -opposite end of the battery opening. Rotate the door toward the unit until the latch snaps back into place.



- 1 - Battery Compartment
- 2 - Receiver Slot
- 3 - Hinge Tab



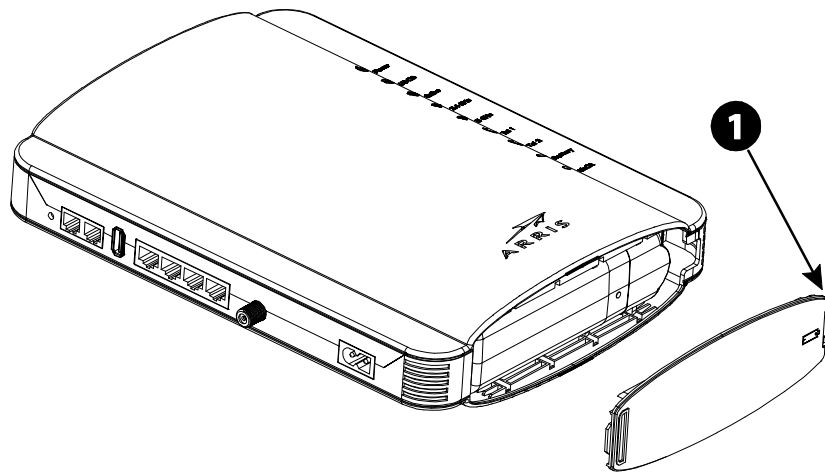
**Note:** Telephony Gateways use a Lithium-Ion battery pack. Please recycle or dispose of the battery responsibly and in accordance with local ordinances.

## Extended Battery Installation and Replacement

This model of the Telephony Gateway has the ability to provide continued telephone service during power outages. The battery backup is not intended to take the place of AC power.

Use this procedure to install or replace the backup battery.

1. Press down and pull back on the latch holding the battery door (on the bottom of the Telephony Gateway). Pull the door toward you. Set the door aside in a safe place.



1 - Latch End

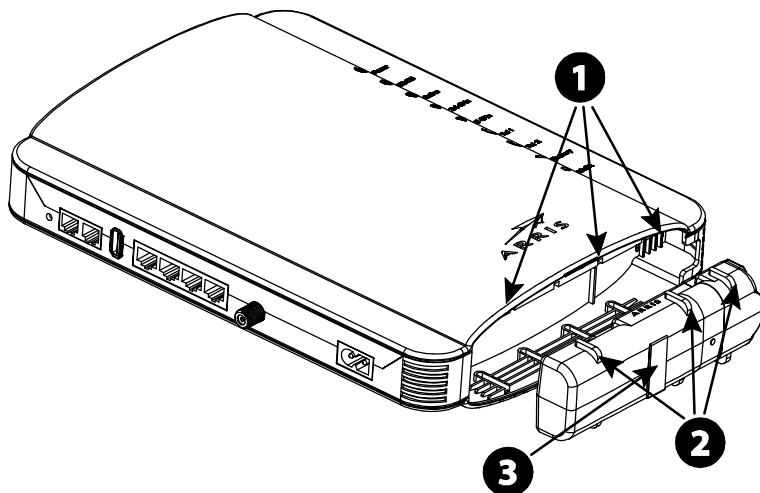


### CAUTION

#### Risk of equipment damage

Improperly inserting the battery may damage the battery connector in the Telephony Gateway. Carefully follow the instructions in the next step to avoid damage.

2. Hold the battery pack so that the guides on the battery align with the slots on the Telephony Gateway and slide the battery into the bay.



- 1 - Battery Slots
- 2 - Battery Guides
- 3 - Battery Pull Strap



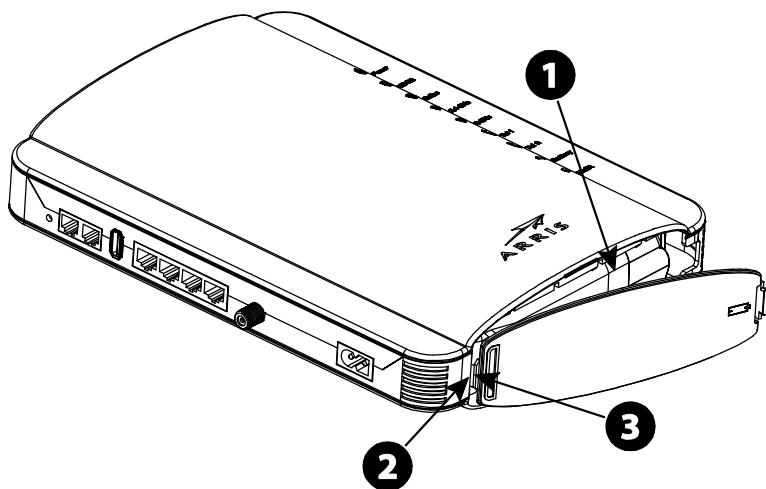
**Note:** Batteries will not insert completely into the Telephony Gateway if not oriented correctly. The battery should slide into the bay without significant force. Line up the slots in the battery bay with the guides on the battery and apply even pressure on both ends of the battery.

3. Push the battery pack into the bay until it latches into place. **If you are taking the battery out of the Telephony Gateway, use the battery pull strap to dislodge the battery.**



**Note:** The Telephony Gateway will not begin operating until you apply AC power.

4. Replace the door. To do so, place the tabs of the battery door into the slot inside the Telephony Gateway battery compartment. Rotate the door toward the front of the Telephony Gateway until the latch snaps back into place.



- 1 - Battery Compartment
- 2 - Receiver Slot
- 3 - Hinge Tab



**Note:** Telephony Gateways use a Lithium-Ion battery pack. Please recycle or dispose of the battery responsibly and in accordance with local ordinances.

## Installing and Connecting your Telephony Gateway

---

Before you start, make sure that:

- You have contacted your cable company and verified that they provide data and telephone service using standard DOCSIS technology.
- You have all the *Items You Need* (page 11).
- Cable, phone, and power outlets are available near the computer. If a cable outlet is not conveniently located, your cable company can install a new one.

If you have ordered service, your cable company should configure the Telephony Gateway automatically. You need only follow the instructions in this section to install and connect the Telephony Gateway.



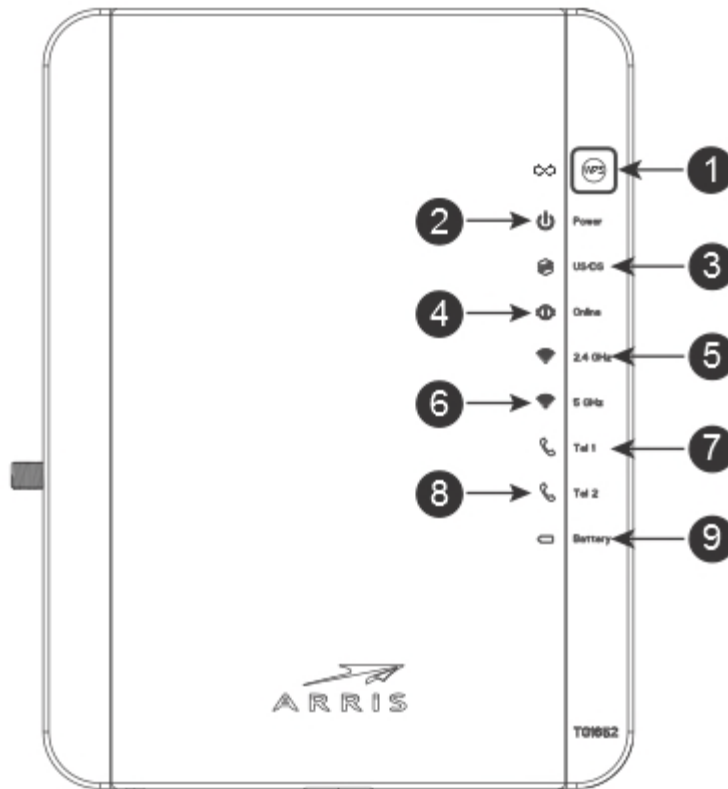
### **CAUTION**

#### **Risk of equipment damage**

Only qualified installation technicians should connect the Telephony Gateway to house wiring. Incumbent telephone service must be physically disconnected at the outside interface box before making any connections.

## Front Panel

The front of the Telephony Gateway has the following indicators.

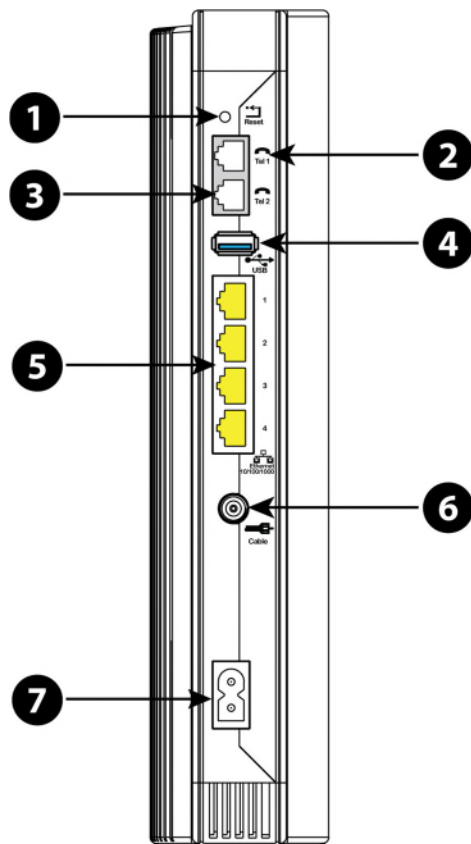


1. **WPS Button/LED:** begins associating the Telephony Gateway with a wireless device. LED indicates Wireless Protected Setup (WPS) is active.
2. **Power:** indicates whether AC power is available to the unit.
3. **US/DS:** indicates upstream/downstream connectivity.
4. **Online:** indicates internet data transmission status.
5. **2.4 GHz:** indicates the status of the 2.4 GHz wireless LAN.
6. **5 GHz:** indicates the status of the 5 GHz wireless LAN.
7. **Tel 1:** indicates the status of telephone line 1.
8. **Tel 2:** indicates the status of telephone line 2.
9. **Battery:** indicates the battery status.



## Rear Panel

The rear of the Telephony Gateway has the following connectors and controls.



1. **Reset button:** resets the Telephony Gateway as if you power cycled the unit. Use a pointed non-metallic object to press this button.
2. **Telephone 1:** connector for the first phone line.
3. **Telephone 2:** connector for the second phone line.
4. **USB:** USB host connector - future support for external USB devices
5. **Ethernet (1 - 4):** connectors for use with a computer LAN port.
6. **Cable:** connector for the coaxial cable.
7. **Power:** connector for the power cord.

## Selecting an Installation Location

There are a number of factors to consider when choosing a location to install your Telephony Gateway:

- Is an AC outlet available nearby? For best results, the outlet should not be switched and should be close enough to the Telephony Gateway that extension cords are not required.

- Is a cable jack available? For best performance, keep the number of splitters between the jack and cable drop to a minimum. Each splitter attenuates (reduces) the signal available to the Telephony Gateway. A large number of splitters can slow down the Internet connection and even affect your telephone service.
- Can you easily run cables between the Telephony Gateway's location and the phones?
- If you are connecting devices to the Ethernet ports, can you easily run cables between the Telephony Gateway's location and those devices?
- If you want to mount the Telephony Gateway on a wall, does the location provide a solid surface for secure attachment? For best results when mounting the Telephony Gateway on drywall, position the Telephony Gateway so at least one of the screws are fastened to a stud. This may prevent the Telephony Gateway from pulling out of the wall in the future.
- If you want to install the Telephony Gateway on a desktop, is there enough space on either side to keep the vents clear? Blocking the vents may cause overheating.
- How close are your wireless devices? The Telephony Gateway wireless connection range is typically 100–200 feet (30m–65m). A number of factors can affect connection range, as described below.

## Factors Affecting Wireless Range

A number of factors can affect the usable range for wireless connections.

Increases range	<ul style="list-style-type: none"> <li>■ Raising the unit above the devices (for example, installing the Telephony Gateway in the upper floor of a multi-story dwelling)</li> <li>■ Adding a wireless extender to the network</li> </ul>
Decreases range	<ul style="list-style-type: none"> <li>■ Lowering the unit below the devices (for example, installing the Telephony Gateway in a basement)</li> <li>■ Metal or concrete walls between the Telephony Gateway and other devices</li> <li>■ Large metal appliances, aquariums, or metal cabinets between the Telephony Gateway and other devices</li> <li>■ Interference and RF noise (2.4 GHz wireless phones, microwave ovens, or other wireless networks)</li> </ul>



**Note:** Note that decreasing the range of your wireless network may be beneficial, as long as the decreased range is sufficient for your needs. By limiting your network's range, you reduce interference with other networks and make it harder for unwanted users to find and connect to your network.



**Note:** Setting the transmit power level to High increases the range. Setting it to Medium or Low decreases the range proportionately.

## Mounting the Telephony Gateway

You can either mount the Telephony Gateway on a wall or place it on a desktop. For wall-mount applications, you can mount the Telephony Gateway with the indicators facing upward (vertical) or to the side (horizontal).

### Tools and Materials

For wall-mounted installations, make sure you have the following tools and materials before proceeding:

- for mounting on drywall: Two 1/4" (6mm) drywall anchors (not included), two #6 x 1.5" (38.1 mm) self-tapping panhead screws (not included), and a drill with 1/4" (6mm) bit (not included)
- for mounting on plywood or studs: two #6 x 1.5" (38.1 mm) self-tapping panhead wood screws (not included)
- screwdriver (flat-blade or Phillips, depending on what kind of screws you use)
- wall-mounting bracket (order from your cable company)

### Location

Always position the Telephony Gateway):

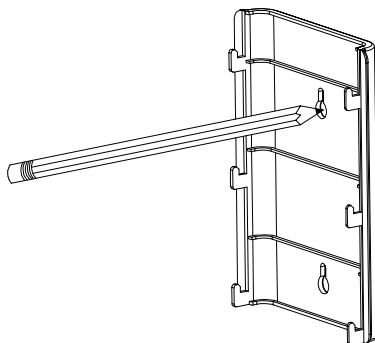
- within reach of an AC outlet. The power cord must reach the outlet without stretching and without adding extension cords.
- near a cable outlet (to avoid long cable runs).

### Wall Mounting Instructions



**Note:** When mounting the Telephony Gateway on drywall, try to position the Telephony Gateway so at least one of the screws is fastened to a stud. This may prevent the Telephony Gateway from pulling out of the wall in the future. To prevent overheating of the Telephony Gateway, do not block the ventilation holes on the sides of the unit.

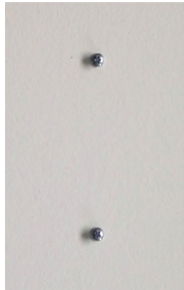
1. Position the mounting bracket on the surface where you intend to mount the Telephony Gateway and mark the two holes with a pencil.



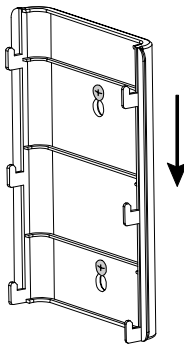
2. Drill holes for the mounting screws through the marked locations.



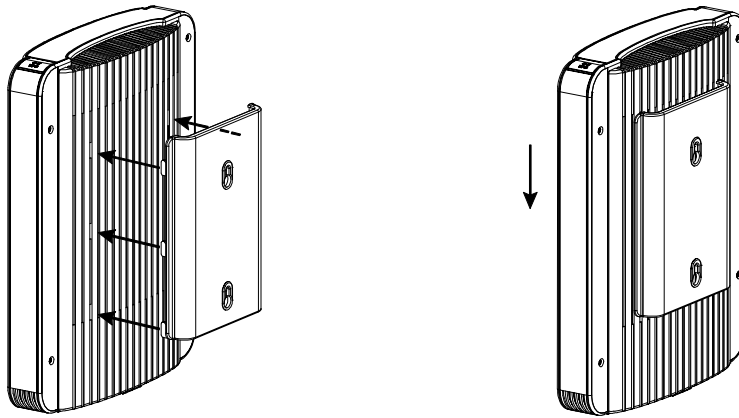
3. If using drywall anchors, set them into the wall. Then, drive the screws into the wall leaving a gap of about 1/8" (3 mm) between the screw head and the wall. If not using anchors, just drive the screws.



4. Slip both mounting slots in the back of the mounting bracket over the screws, then slide the bracket down until the narrow end of the keyhole slot contacts the screw shaft.



5. Hang the Telephony Gateway on the wall by inserting the six tabs on the mounting bracket into the six slots in the back of the Telephony Gateway and sliding the Telephony Gateway down until it drops in place on the bracket.



6. Proceed to [Connecting the Telephony Gateway](#) (page 30).

## Desktop Mounting Instructions

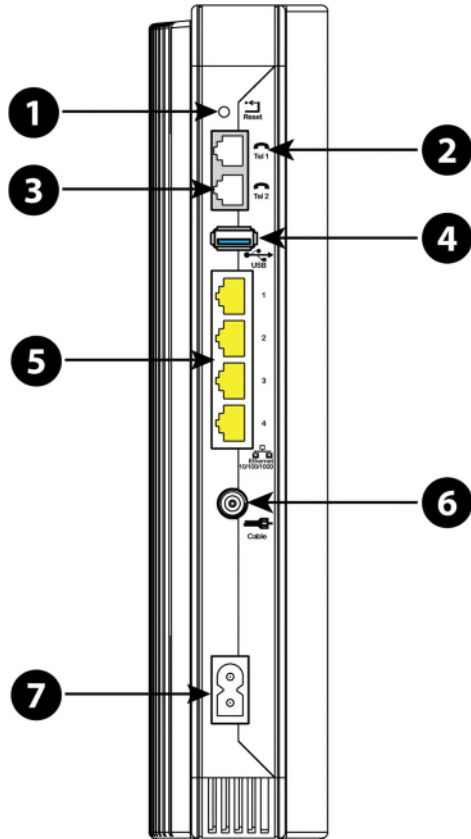
1. Position the Telephony Gateway so that:
  - it stands vertically on its base (Do not lay it flat on its side.)
  - air flows freely around it
  - the back faces the nearest wall
  - it will not fall to the floor if bumped or moved
  - the ventilation holes on the sides of the unit are not blocked
2. Proceed to [Connecting the Telephony Gateway](#) (page 30).

## Connecting the Telephony Gateway

### WARNING

#### Risk of injury or equipment damage

Connecting the Telephony Gateway to the home's existing telephone wiring should only be performed by a professional installer. Physical connections to the previous telephone provider must be removed and the wiring must be checked; there must not be any voltage. Cancellation of telephone service is not adequate. Failure to do so may result in loss of service and/or permanent damage to the Telephony Gateway.



1. Connect one end of the coax cable to the cable outlet or splitter, and the other end to the Telephony Gateway's Cable connector (6). Tighten the connections by hand, then tighten an additional 1/8 turn with a wrench.



**Note:** For best performance, use high-quality coax cable and minimize or eliminate splitters between the cable jack and the Telephony Gateway.

2. Insert the plug from the power cord into the Power connector on the back of the Telephony Gateway (7) and insert the power cord into a convenient AC outlet. The Power light on the front of the Telephony Gateway lights up, then flashes once (refer to the LED tables shown in Using the Telephony Gateway). See [Troubleshooting](#) (page 45) if the Power light does not turn on.

3. Connect one end of the Ethernet cable to any Ethernet port on the back of the Telephony Gateway, (5) and the other end to the Ethernet port on a computer, hub, or broadband router.

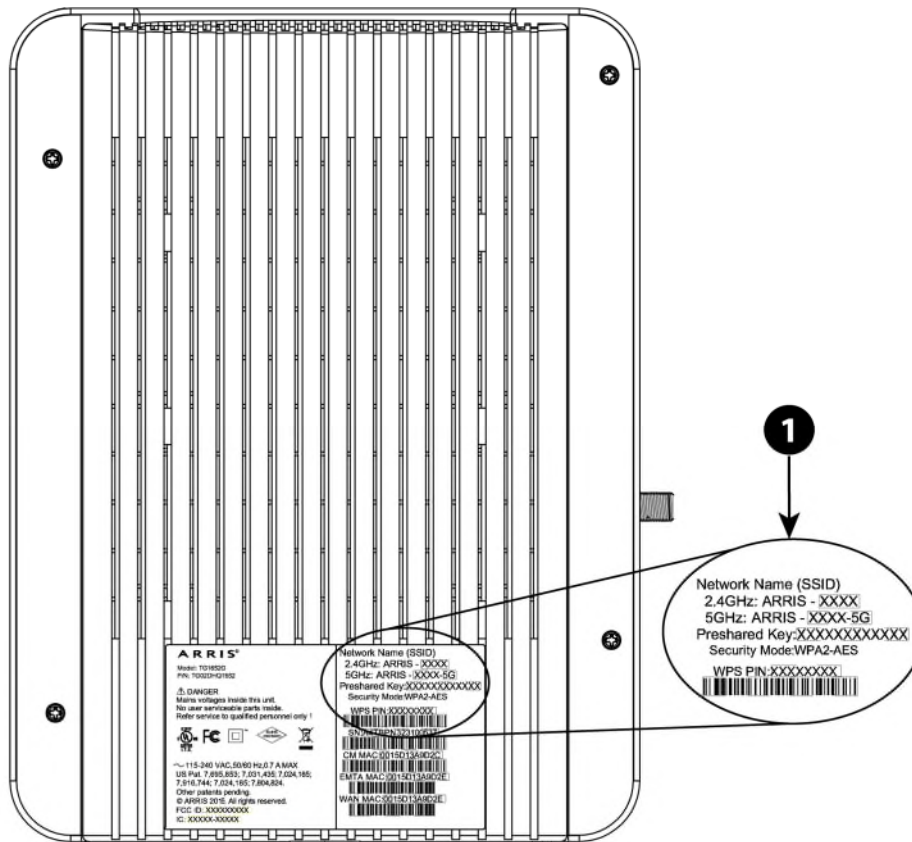


**Note:** If you are connecting to a computer, use the Ethernet cable included in the Telephony Gateway package.

4. Connect one end of the telephone cable to the telephone port on the back of the Telephony Gateway (2 or 3). Connect the other end to the telephone.

## Configuring Your Wireless Connection

The TG1652G ships with wireless LAN security set by default. See the security label on your product for the factory security settings: network name (SSID), encryption method, network key, and WPS PIN.



**Note:** You must set up your computer and other client devices to work with the security settings on the TG1652G. Refer to the documentation for your client device for instructions on setting security. On most computer systems you only need to select the network name (SSID) device and enter the encryption key. If your computer or client device supports Wi-Fi Alliance

WPS (Wireless Protected Setup), activate WPS on your computer or client device and the TG1652G simultaneously to easily set up your system security.

If you need to modify the Telephony Gateway's default wireless security settings, or if you want to configure any other wireless LAN settings, refer to the following instructions.

## Accessing the Configuration Interface

Follow these steps to access the configuration interface. You should have already set up the TG1652G as described in *Installing and Connecting your Telephony Gateway* (page 23).

1. If security has been properly set up on your computer to access the wireless LAN on the TG1652G, use the connection utility for your operating system to connect to the wireless LAN using its network name (SSID), as shown on the security label.
2. If you cannot access the wireless LAN, you must first establish a wired Ethernet connection between your computer and the TG1652G.
3. In your web browser, open the page <http://192.168.0.1/> to access the wireless router setup.

*The Login screen displays.*



**Note:** The default user name is “admin”. The default password is “password”, in lower case letters.

4. Enter the user name and password and click the Apply button to log in.

*The System Basic Setup screen displays.*

5. Use the online help information to set configuration parameters as required.



**Note:** Most configuration parameters that you may want to set can be accessed on the System Basic Setup screen, including the security mode and setting a system password.

## Setting Parental Controls

The Parental Control feature allows you to block specified keywords and web sites from being accessed and also to specify trusted computers in the network. Trusted computers are not affected by the parental control settings.

## Finding the MAC Address of a Computer

In order to set up trusted computers you must first determine the MAC address of those computers.

Use the operating system of your computer to find its MAC address, as follows:

**Windows:** from the Start menu, find and select the **Control Panel**. Double-click **Network Connections** (Windows XP), or **Network & Sharing Center** (Windows Vista or Windows 7).

Then double-click either “Wireless Network Connection” for a wireless connection, or “Local



Area Connection” for an Ethernet connection. Next click the **Details** button (Windows Vista or Windows 7), or click the Support tab and then the **Details** button (Windows XP). The “Physical Address” line shows the MAC address.

**MacOS X:** open System Preferences and click the Network icon. To find the Ethernet MAC address, select **Built-in Ethernet** from the Show drop-down, then click the Ethernet tab. The “Ethernet ID” field shows the MAC address. To find the wireless MAC address, select **Airport** from the Show drop-down, then click the Airport tab. The “Airport ID” field shows the MAC address.

**Linux:** open a shell window and type `/sbin/ifconfig` (and press Enter). The wireless interface is eth1 (unless there is no Ethernet adapter, in which case the interface is eth0).

## Making Your Parental Control Settings

Follow these steps to set up your Parental Controls:

1. Access and log into the wireless configuration interface as explained in [Accessing the Configuration Interface](#) (page 32).
2. Click the **Firewall** tab and then click **Parental Controls** in the side menu to display the Parental Controls screen.
3. Check the **Enable Parental Controls** checkbox and click the **Apply** button.

The screenshot shows the 'Parental Controls' configuration page. At the top, there are tabs for 'Basic Setup', 'WAN Setup', 'LAN Setup', 'Wireless Setup', 'Firewall', and 'Utilities'. The 'Firewall' tab is active, and 'Parental Controls' is selected in the left sidebar. The main content area has a heading 'Parental Controls' and a paragraph explaining the feature. Below this, there are three main sections: 'Parental Controls' with a checked 'Enable Parental Controls' checkbox; 'Trusted Mac' with two input fields for MAC addresses and an 'Apply' button; 'Keyword Filtering' with a table for adding keywords and time filters; and 'Web Site Filtering' with a table for adding website filters and time filters.

4. Configure any or all of the following parental controls:

### Trusted MAC Addresses:

Enter the MAC addresses of any “trusted” computers on the network and click the **Apply** button. You can add two trusted computers. Once added, these trusted computers will not be affected by the parental control settings. For example, you may want the computers of the father and mother to be trusted, while the childrens’ computers have parental controls in effect.



**Note:** Refer to the [Finding the MAC Address of a Computer](#) (page 32) for information on determining the MAC address of your computer.

#### Keyword and Web Site Filtering:

You can add a list of keywords and web sites that you want to block. To add a keyword or web site to the list, click the respective **Add** button. To delete a keyword or web site from the list, first click its check box and then click the **Delete** button.

#### Add Keyword Filter Dialog Box

#### Add Web Site Filter Dialog Box

#### Adding a Keyword or Web Site Filter

- Enter the keyword in the Keyword field or web site URL address in the Web Site field.
- Click the checkboxes for the days you want access blocked, or click the All Week checkbox for all week.
- Set the start time and end time during the specified days (24-hour clock). (0:00 until 0:00 indicates all day, or just click the All Day checkbox.)
- Click the **Add Keyword Filter** or **Add Web Site Filter** button respectively. Then click the **Apply** button.

# Configuring Your Ethernet Connection

---

If your computer is equipped with a LAN card providing an Ethernet connection, you may have to configure your computer's TCP/IP settings. The steps that follow will guide you through setting your computer's TCP/IP settings to work with the Telephony Gateway.

## Requirements

Make sure you have the following before attempting to configure your Ethernet connection:

- Computer with Ethernet interface
- Ethernet cable (supplied)
- IP address, subnet, gateway, and DNS information for installations not using DHCP

## How to use this Chapter

The following list shows the procedures for modifying the TCP/IP settings on the computer. The procedure is slightly different depending on the operating system that you are using. Please ensure you are using the correct steps for the operating system on your computer. Follow the links below for instructions to configure your Ethernet connection on your operating system.

- [TCP/IP Configuration for Windows XP](#) (page 35)
- [TCP/IP Configuration for Windows Vista](#) (page 36)
- [TCP/IP Configuration for Windows 7 or Windows 8](#) (page 36)
- [TCP/IP Configuration for Mac OS X](#) (page 37)

## TCP/IP Configuration for Windows XP

Follow these steps to configure the Ethernet interface on a Windows XP operating system.



**TCP/IPv6 Note:** This procedure shows the configuration of TCP/IPv4. TCP/IPv6 is not installed or enabled by default in Windows XP. If your cable provider requires TCP/IPv6 you must first install and enable it on your Windows XP system. Refer to Microsoft support materials on Windows XP for installation instructions. Once installed and enabled, follow this same configuration example, but select TCP/IPv6 at the appropriate step.

1. From the computer, select **Start > Settings > Control Panel** and double-click **Network Connections** in the Control Panel.

*The Network Connection window displays a list of LAN connections and associated network adapters.*

2. Double-click the local area connection to be used for your device's network connection.  
*The Local Area Connection Status window displays.*
3. Click **Properties**.
4. Select **TCP/IP** by clicking it one time. Then click **Properties**.
5. Click the **General** tab. Then click **Obtain an IP address automatically** and click **OK**.
6. Click **OK** to accept the new settings, and **OK** again to close the Properties window.
7. You may have to restart your computer in order for your computer to obtain a new IP address from the network.

## TCP/IP Configuration for Windows Vista

Follow these steps to configure the Ethernet interface on a Windows Vista operating system.

1. Open the Vista Control Panel.
2. Double-click **Network and Sharing Center** to display the Network and Sharing Center Window.
3. Click **Manage network connections**. If prompted for a connection, choose **Local Area Connection**.

*The Network Connections window displays.*

4. Double-click the **Local Area Connection** to open the Properties window:



**Note:** If Windows requests permission to continue, click **Continue**.

5. Double-click **Internet Protocol Version 4 (TCP/IPv4)** to configure TCP/IPv4.



**Note:** If your cable provider requires TCP/IP version 6, double-click **Internet Protocol Version 6 (TCP/IPv6)** to configure TCP/IPv6.

*The TCP/IP properties window for the version you selected displays.*

6. For either TCP/IPv4 or TCP/IPv6, select **Obtain an IP address automatically** and **Obtain DNS server address automatically**, unless instructed otherwise by your cable provider.
7. Click **OK** to accept the new settings and close the Properties window.

## TCP/IP Configuration for Windows 7 or Windows 8

Follow these steps to configure the Ethernet interface on a Windows 7 or Windows 8 operating system.

1. Open the Windows Control Panel.
2. Click **Network and Internet**.
3. Click **Network and Sharing Center**.

4. Click **Local Area Connection** to open the Status window.
5. Click **Properties** to open the Properties window.
6. Select **Internet Protocol Version 4 (TCP/IPv4)** and click **Properties** to configure TCP/IPv4.



**Note:** If your cable provider requires TCP/IP version 6, select **Internet Protocol Version 6 (TCP/IPv6)** and click **Properties** to configure TCP/IPv6.

*The TCP/IP properties window for the version you selected displays.*

7. For either TCP/IPv4 or TCP/IPv6, select **Obtain an IP address automatically** and **Obtain DNS server address automatically**, unless instructed otherwise by your cable provider.
8. Click **OK** to accept the new settings and close the Properties window. Then click **Close** to back out of the remaining setup screens.

## TCP/IP Configuration for Mac OS X

Follow these steps to configure the Ethernet interface on a Mac OS X operating system.

1. Open System Preferences, either by choosing **System Preferences** from the Apple menu or by clicking the System Preferences icon in the dock.
2. Click the **Network** icon.
3. Choose **Automatic** from the Location drop-down menu, and **Built-in Ethernet** from the Show menu.
4. Choose the TCP/IP tab, if necessary.  
If you are using **TCP/IPv4**, go to **step 5**.  
If your cable provider requires **TCP/IPv6**, go to **step 8**.
5. Choose **Using DHCP** from the Configure IPv4 menu.
6. If necessary, click the **Renew DHCP Lease** button.
7. Close the System Properties application.  
*TCP/IPv4 configuration is completed.*
8. If you are using TCP/IPv6, click **Configure IPv6** near the bottom of the previous window.
9. Choose **Automatically** from the Configure IPv6 drop-down menu and click **OK**.
10. Close the System Properties application.

## Using the Telephony Gateway

---

This chapter describes the controls and features available on the Telephony Gateway, and covers basic troubleshooting procedures.

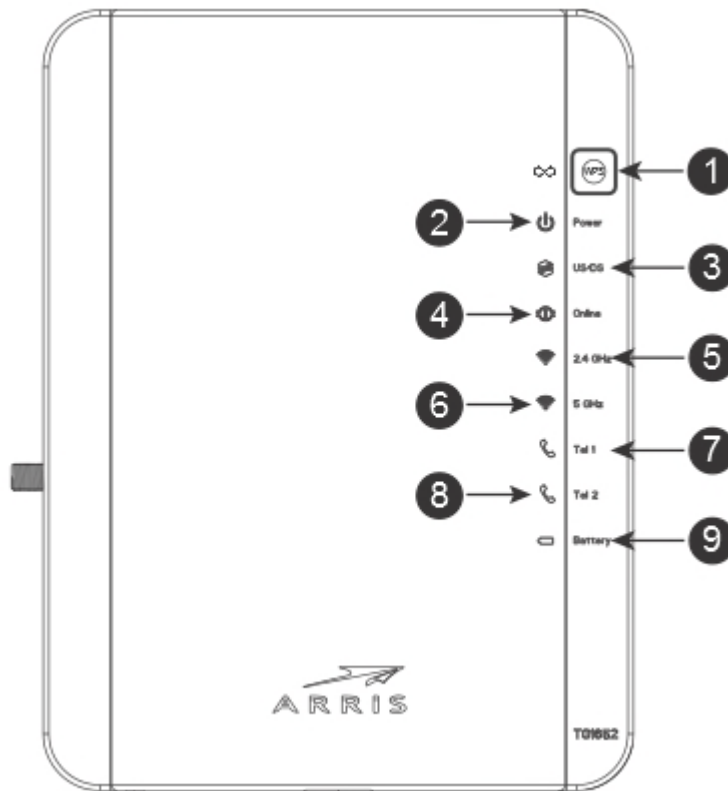
- [Setting up Your Computer to Use the Telephony Gateway](#) (page 38)
- [Indicator Lights for the TG1652G](#) (page 39)
- [Using the Reset Button](#) (page 42)

## Setting up Your Computer to Use the Telephony Gateway

Follow the instructions in the information packet supplied by your cable company. Contact your cable company if you need help setting up your computer.

## Indicator Lights for the TG1652G

The Telephony Gateway has LED indicator lights to assist in troubleshooting.



- |                   |                |
|-------------------|----------------|
| 1. WPS Button/LED | 6. 5 GHz Wi-Fi |
| 2. Power          | 7. Tel 1       |
| 3. US/DS          | 8. Tel 2       |
| 4. Online         | 9. Battery     |
| 5. 2.4 GHz Wi-Fi  |                |

## Wiring Problems

If the Telephony Gateway begins flashing all its lights for more than 10 seconds, this indicates a problem with the telephone wiring — the red and green wires may be shorted (touching), or there may be undesired voltage on the lines. If this pattern persists for more than 10 seconds, disconnect the telephone lines from the Telephony Gateway, then call a wiring technician for assistance.

## Patterns: Normal Operation (LAN and Telephone)

The following table shows light patterns for the Ethernet and wireless LANs and the telephones during normal operation.

Mode	Ethernet (LEDs on rear panel connector)	2.4G Wi-Fi / 5G Wi-Fi	Tel 1 / Tel 2
AC Power	<p><b>Green LED On</b> = Computer with 1Gbps port connected</p> <p><b>Amber LED On</b> = Computer with 100 Mbps/10Mbps port connected</p> <p><b>Amber/Green LED Flash</b> = Computer activity</p> <p><b>Both LEDs Off</b> = Computer not connected</p>	<p><b>On</b> = Wi-Fi enabled</p> <p><b>Flash</b> = Computer activity</p> <p><b>Off</b> = Wi-Fi disabled</p>	<p><b>On</b> = On-hook</p> <p><b>Flash</b> = Off-hook</p> <p><b>Off</b> = disabled</p>
No AC Power	Off	Off	<p><b>On</b> = On-hook</p> <p><b>Flash</b> = Off-hook</p> <p><b>Off</b> = disabled</p>
Firmware Upgrade	(normal operation)	(normal operation)	(normal operation)

## Patterns: Normal Operation (WAN and Battery)

The following table shows light patterns during normal operation.

Mode	Power	US/DS	Online	Battery
AC Power Good	<b>On</b>	<p><b>Yellow</b><sup>1</sup> = Connected to the -Internet (high speed)</p> <p><b>Green</b><sup>1</sup> = Connected to the Internet (ultra-high speed)</p> <p><b>Flash</b> = Not connected to the Internet</p>	<p><b>On</b> = Internet available</p> <p><b>Off</b> = Internet not available</p>	<p><b>On</b> = Battery good or low</p> <p><b>Off</b> = Battery missing</p> <p><b>Flash</b> = Battery bad</p>



Mode	Power	US/DS	Online	Battery
No AC Power, Battery Installed	<b>Flash</b>	Off	Off	Off = Battery power <b>Flash</b> = Battery bad
No AC Power, No Battery	Off	Off	Off	Off
Firmware Upgrade	<b>On</b>	<b>Flash</b>	<b>On</b>	(normal operation)



**Note 1:** Your cable company may configure the Telephony Gateway to always display the **US/DS** indicator in green regardless of the connection speed or swap the meaning (speed indication) of yellow and green.

## Patterns: Startup Sequence

The following tables show the Telephony Gateway light patterns during each phase of the startup sequence. There are two phases of startup; the telephony phase and the cable modem phase. Both are outlined below.

### Telephony Startup Sequence

Power, US/DS, Online	Telephone 1	Telephone 2	Battery	Description
Off	Off	Off	Off	No power to modem
<b>Flash</b>	<b>Flash</b>	<b>Flash</b>	<b>Flash</b>	Power-on Self Test
See <a href="#">Cable Modem Startup Sequence</a> (page 42)				
<b>On</b>	<b>Flash</b>	Off	Off	Retrieving telephone network information
<b>On</b>	Off	<b>Flash</b>	Off	Retrieving telephone line information
<b>On</b>	<b>Flash</b>	<b>Flash</b>	Off	Activating telephone service
Normal Operation				



**Note:** The **US/DS** indicator flashes yellow during startup, and turns green if the Telephony Gateway establishes an ultra-high speed connection. For some cable companies these colors may be reversed.

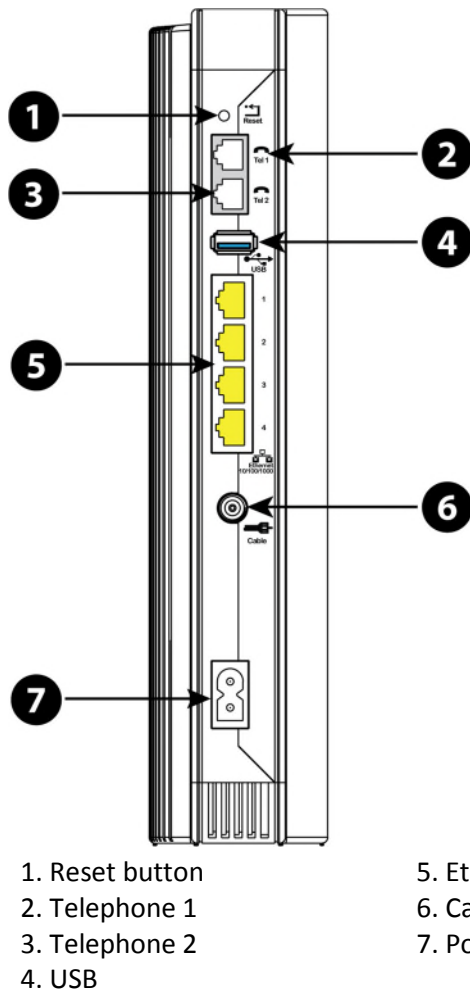
## Cable Modem Startup Sequence

US/DS	Online	Description
<b>Slow Flash</b> (1/second)	Off	Downstream acquisition in progress
<b>On</b> (until Upstream acquisition starts)	Off	Downstream acquisition completed
<b>Fast Flash</b> (3/second)	Off	Upstream acquisition in progress
<b>On</b>	<b>Slow Flash</b> (during acquisition) <b>On</b> (when modem IP address obtained)	Upstream acquisition completed, ready for service

## Using the Reset Button

Use the **Reset** button (1), on the back of the Telephony Gateway, to reset the modem and perform initialization as if you power cycled the unit. You may need to reset the Telephony Gateway if you are having problems connecting to the Internet. Using this button will be rare.

Use a pointed **non-metallic** object to press this button. The **Reset** button is recessed to prevent accidental resets.



## Resetting the Router to Factory Defaults

To reset the router to factory defaults, press and hold the **Reset** button on the back of the Telephony Gateway for more than fifteen seconds. This restores the wireless setup configuration and router configuration parameters to the factory defaults. You may need to do this if a misconfiguration has locked out all access.

## Booting from Battery

The TG1652G supports a “Boot from Battery” feature that allows the Telephony Gateway to provide continued telephone service during power outages.

To start the TG1652G from its battery, follow these steps:

1. If a battery is already installed in the Telephony Gateway, remove it.
2. Re-insert the battery into the Telephony Gateway (see [Battery Installation and Removal](#) (page 17) for details).

3. Press the **Reset** button; the Power light should turn on immediately.



**Note:** If the Telephony Gateway does not turn on the battery may be dead.

## Troubleshooting

---

### The Telephony Gateway is plugged in, but the Power light is Off

Check all power connections. Is the power cord plugged in firmly at both ends?

If you plugged the power cord into a power strip, make sure the strip is switched on.

Avoid using an outlet controlled by a wall switch, if possible.

Finally, check the fuse or circuit breaker panel.

### I'm not getting on the Internet (all connections)

It may take over 30 minutes to establish a connection the first time you power up your Telephony Gateway, especially when many people are online. Always leave your Telephony Gateway plugged into AC power and connected to the cable system.

Check the front panel lights:

- The **Power** and **Online** lights should be on.
- If the **Power** light blinks for more than 30 minutes, call your cable company for assistance.

Check your cable connections. Connectors should be tight. The coax cable should not be pinched, kinked, or bent sharply—any of these can cause a break or short in the cable (you may have to replace the cable). If you have one or more splitters between the Telephony Gateway and CATV outlet, remove the splitters and connect the Telephony Gateway directly to the outlet.

Proceed to the Ethernet or wireless solutions if necessary.

### I'm not getting on the Internet (Ethernet)

If you are using a hub, is the hub turned on?

Are you using the right type of Ethernet cable? Use the supplied cable for direct connection to a computer; use a cross-over cable for connection to a hub.

Press the **Reset** button on the back of the Telephony Gateway.

A misconfiguration could lock out all access to the Telephony Gateway router. If you think this has happened, see [Resetting the Router to Factory Defaults](#) (page 43).

## I'm not getting on the Internet (Wireless)

Check the indicator lights, see [Using the Telephony Gateway](#) (page 38) — the Wi-Fi light should be on.

Does your connection utility discover your wireless LAN? If you turned off “Broadcast SSID” you need to manually enter the name of your wireless LAN in the connection utility.

Change your security mode to “disabled”. Enable one of the other security modes as soon as you find the problem.

A misconfiguration could lock out all access to the Telephony Gateway router. If you think this has happened, see [Resetting the Router to Factory Defaults](#) (page 43).

## My wireless Internet connection stops working sometimes

This is usually caused by interference. Two common sources are 2.4GHz “remote” telephones and microwave ovens. If you cannot remove the interfering product, try using a different channel or setting Protected Mode.

## I can get on the Internet, but everything is slow

If the Web site you are visiting is very popular, that site may be having trouble servicing all the requests. If other sites download quickly, wait for a few minutes and try again. Usage during peak hours may also affect the connection speed.

Other communications on the LAN, or interference with wireless connections, may slow down the connection.

## I don't have a dial tone when I pick up the phone - why?

In order for telephone service to be functional on the Telephony Gateway, telephone service must have been purchased from the service provider and configured on your Telephony Gateway. The following steps should help in identifying the source of the problem.

1. Is the Power LED lit?
  - If not, check to make sure the Telephony Gateway is plugged in and the outlet has power. Use only the external AC power adapter (if provided) and power cord included with the equipment.
  - If the LED is lit, go to the next step.
2. Is the Online LED lit?

- If not, check the coax connection at the Telephony Gateway and the wall. Ensure they are connected and tight. If they are and you do not have dial tone, contact your service provider.
  - If the Online LED is lit, go to the next step.
3. Is the Telephone (Tel 1 or Tel 2) LED lit?
    - If not, phone service has not been set up on that line. Contact your service provider.
    - If it is blinking, there is a phone off hook somewhere in the house. Find that phone and hang it up.
    - If it is lit, go to the next step.
  4. Is the phone plugged directly into the Telephony Gateway?
    - Make sure the phone is plugged into the port on the back of the Telephony Gateway labeled “Tel 1” for line 1, and “Tel 2” for line 2.
    - If so, try a different phone. Make sure the new phone is a working phone.
    - If a known good phone is used and you still don’t have dial tone, try a different phone cable. If a new phone and cable do not restore dial tone, call your service provider.
  5. Is the Telephony Gateway plugged into a wall outlet?
    - If so, unplug the phone connector at the back of the Telephony Gateway and plug in a known working phone. If you now have dial tone, the problem is with the house wiring. Contact your cable company or a qualified wiring technician to correct the house wiring. If you still do not have dial tone, contact your service provider.

# Glossary

---

## A

### Amp-Hour

A measure of battery capacity. For example, a 1.0Ah battery can nominally supply one Ampere of current for one hour.

## C

### Category 5e (Cat5e)

A high-quality type of cable, used for gigabit Ethernet (1000BaseT) connections. When purchasing Ethernet cables, always look for Category 5e cable.

### Coaxial cable (coax)

A thin wire, used to connect your television and Telephony Gateway to the cable TV system. You can buy coax from any electronics retailer and many discount stores.

## CPE

Customer Premise Equipment. This is the equipment that is plugged in to the Telephony Gateway; typically a computer or hub.

### Cross-over

An Ethernet cable used to connect two hubs (or a hub and a cable modem) together. Also, some Ethernet hubs may have built-in cross-over on one or more ports (which eliminates the need for a cross-over cable).

## D

### DHCP

Dynamic Host Configuration Protocol. An IP protocol used to provide an IP address and location of services (such as DNS and TFTP) needed by a device connecting to the network. DHCP allows the cable company to configure your computer's networking software for you.

### DNS

Domain Name Service (Server). An IP service that associates a domain name (such as www.example.com) with an IP address.

### DOCSIS

Data Over Cable System Interface Specification. The interoperability standards used for data communications equipment on an HFC network.

### Downstream

In an HFC network, the direction from the head-end to the subscriber. Some older cable documentation may refer to this as the forward path.

## E

### EMTA

Embedded Multimedia Terminal Adapter. An MTA device that is integrated with a cable modem.

### Ethernet

A standard method of connecting two or more computers into a Local Area Network (LAN).



## EuroDOCSIS

The European version of DOCSIS.

## Event

An informational message used for monitoring network status.

## F

### F-connector

The type of connector used on coax cable. There are two common types of F-connector, slip-on and screw-on. Use coax with screw-on connectors for connecting your Telephony Gateway.

## Firewall

A hardware or software device that prevents unauthorized access to a private network from the Internet. The TG1652G provides a built-in firewall.

## G

### Gateway

The device, usually a router, that connects devices on a given IP subnet to other IP subnets.

## H

### Headend

The “central office” in an HFC network. The headend houses both video and data equipment. In larger cable networks, a “master” headend often feeds several “remote” headends to provide distributed services.

## HTTP

HyperText Transfer Protocol.

## Hub

A box with several Ethernet connectors. Ethernet hubs provide a common point of contact for all connected devices.

## I

### IP address

A number assigned to your computer by your cable company, used to identify your computer to other systems on the Internet.

## ISDN

Integrated Services Digital Network. A digital telephony standard that provides communication speeds about twice as fast as standard dialup.

## L

### LAN

Local Area Network. A network that allows computers in a single location (such as a building) to communicate with one another.

## LED

Light Emitting Diode. A semi-conductor diode that emits light when current is passed through it.

## M

### MAC address

A number that uniquely identifies any device connected to a network. Your cable company uses your Telephony Gateway’s MAC address to authorize access to the Internet. The MAC address is printed on a label on the bottom of your Telephony Gateway.

## P

### Protocol

A set of rules and formats that determines the communication behavior of network entities at a given layer.

### Proxy

A device or program that stands in between a server (for example, a web site) and a client (your browser), providing a way to relieve some of the burden from the server. For example, your cable company may have a web proxy that keeps copies of popular web pages; the proxy can send you those pages instead of fetching them directly from the web site, resulting in faster page loading and less network congestion.

## R

### RF

Abbreviation for Radio Frequency. Some literature refers to coax as “RF cable” and the connectors as “RF connectors.”

### RJ-11

A standard 2-conductor modular connector, commonly used in North America for connecting telephones.

### RJ-45

A standard 8-conductor modular connector, commonly used on Ethernet cable. An RJ-45 connector looks like a wide RJ-11 (telephone) connector.

## S

### Splitter

A small box with three cable connectors: one input and two outputs. You may need a splitter if you have a TV already connected to the cable outlet that you want to use for your Telephony Gateway. You can buy a splitter from any electronics retailer and most discount stores.

### SSID

Service Set Identifier. A string of text (up to 32 characters long) that uniquely identifies a wireless LAN.

### Switched outlet

A power outlet that may be turned on and off using a wall switch. Usually intended for lamps. Avoid plugging your computer or Telephony Gateway into a switched outlet to avoid disruptions.

## T

### TCP/IP

Transmission Control Protocol/Internet Protocol. The protocols used to facilitate communications across one or more connected networks.

### TDMA

Time Division Multiple Access. A method used by DOCSIS-compliant cable modems for sending upstream data with minimal interference.

## U

### Upstream

The path from a subscriber device to the headend. Some older cable documentation

may refer to this as the return path or reverse path.

## W

### WEP

Wired Equivalent Privacy. A common standard for encrypting data sent over a wireless LAN.

### WPA

Wi-fi Protected Access. A standard for encrypting data sent over a wireless LAN. WPA offers improved security over WEP.

**Corporate Headquarters**

**ARRIS · Suwanee · Georgia · 30024 · USA**

T: 1-678-473-2000 F: 1-678-473-8470

[www.arris.com](http://www.arris.com)