

NOTES: UNLESS OTHERWISE SPECIFIED

1. WORKMANSHIP SHALL BE IN ACCORDANCE WITH THE LATEST REVISION OF ARRIS SPEC 475497-003.
2. FOR NEXT ASSEMBLY AND USED ON APPLICATION, REFER TO LATEST APPROPRIATE ARRIS DATA BASE.
3. SEE TABLE 1 FOR PRODUCT CODE.

4 TORQUE ITEM TO 4-6 IN-LBS.

5 TORQUE ITEM TO 10-12 IN-LBS.

6. THIS DOCUMENT IS THE PROPERTY OF ARRIS GROUP, INC. THIS DOCUMENT MAY ONLY BE DISTRIBUTED TO: (I) AN ARRIS PARTY HAVING A LEGITIMATE BUSINESS NEED FOR THE INFORMATION CONTAINED HEREIN, OR (II) A NON-ARRIS PARTY HAVING A LEGITIMATE BUSINESS NEED FOR THE INFORMATION CONTAINED HEREIN. NO LICENSE, EXPRESSED OR IMPLIED, UNDER ANY PATENT, COPYRIGHT OR TRADE SECRET RIGHT IS GRANTED OR IMPLIED BY THE CONVEYANCE OF THIS DOCUMENT. NO PART OF THIS DOCUMENT MAY BE REPRODUCED, TRANSMITTED, TRANSCRIBED, STORED IN A RETRIEVAL SYSTEM, TRANSLATED INTO ANY LANGUAGE OR COMPUTER LANGUAGE, IN ANY FORM OR BY ANY MEANS, ELECTRONIC, MECHANICAL, MAGNETIC, OPTICAL, CHEMICAL, MANUAL, OR OTHERWISE WITHOUT THE PRIOR WRITTEN PERMISSION OF ARRIS GROUP, INC. (SEE DOCUMENT SECURITY STANDARD, 320190-000 FOR DETAILS.)

THE ARRIS LOGO AND ALL OTHER TRADEMARKS INDICATED AS SUCH HEREIN ARE TRADEMARKS OF ARRIS GROUP, INC. ALL OTHER PRODUCT OR SERVICE NAMES ARE THE PROPERTY OF THEIR RESPECTIVE OWNERS.

COPYRIGHT ARRIS GROUP INC. 2013 ALL RIGHTS RESERVED.


7. ARRIS CONTROLLED AND REPORTABLE MATERIALS DISCLOSURE

PRIOR TO PART QUALIFICATION, SUPPLIER MUST PROVIDE ALL REQUIRED INFORMATION TO MEET THE APPROPRIATE ACCEPTANCE CRITERIA IN ACCORDANCE WITH ENVIRONMENTAL REGULATIONS FOR BANNED AND CONTROLLED SUBSTANCES AS OUTLINED IN THE ARRIS CORPORATE SUPPLY AGREEMENT AND PURCHASE ORDER TERMS AND CONDITIONS.

REVISION HISTORY - ALL SHEETS ARE THE SAME REVISION STATUS			
REV	ZONE	DESCRIPTION	ECN MEMO
A	M. TAYLOR	INITIAL RELEASE	EB-09476 5-22-14
B	M. TAYLOR	REMOVED 5G PWA COMPONENTS FROM DRAWING VIEW	EB-09500 6-03-14
C	M. TAYLOR	RELEASED -001 ADDED ITEM 26	EB-09526 6-16-14

TABLE 1

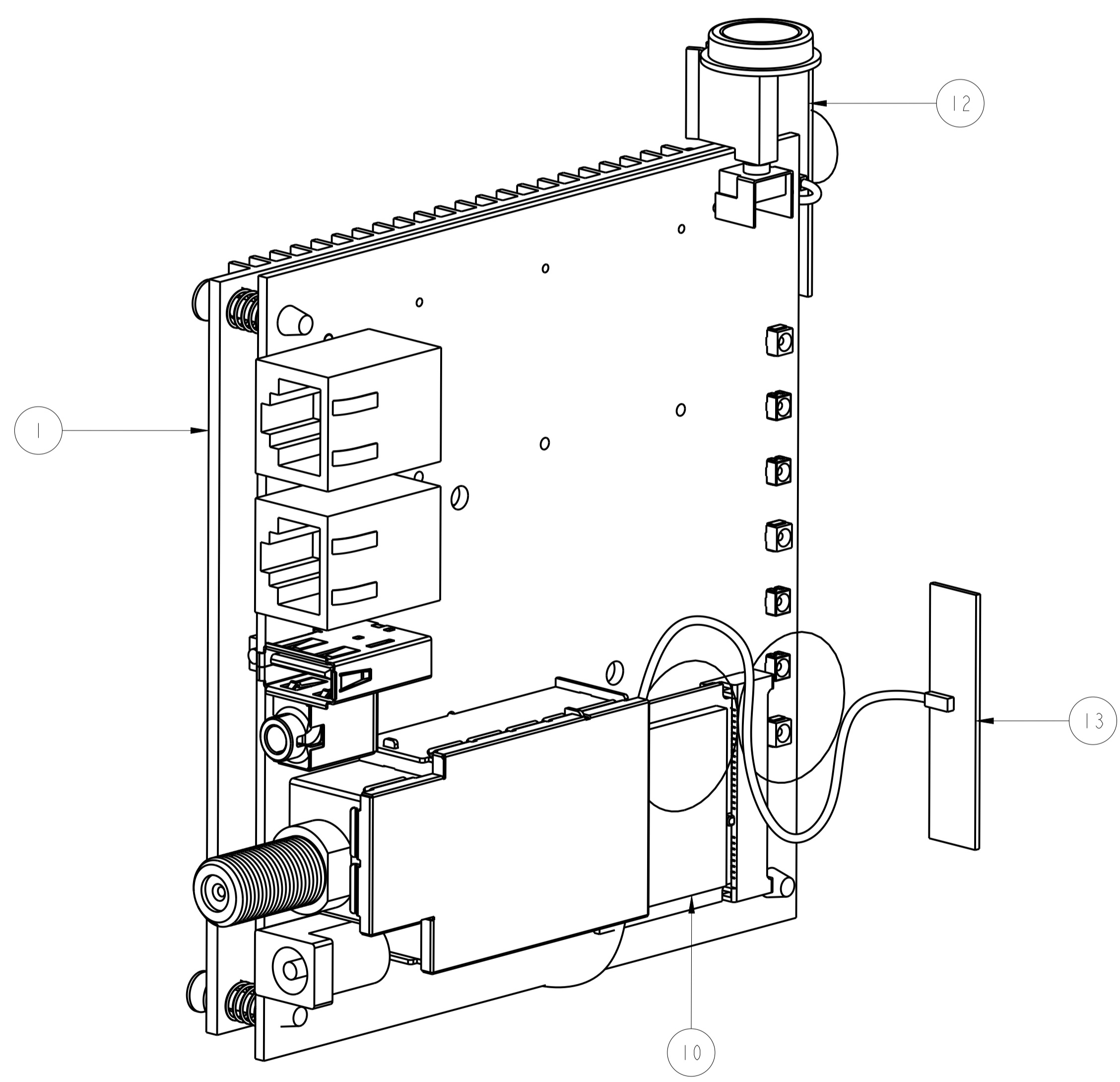
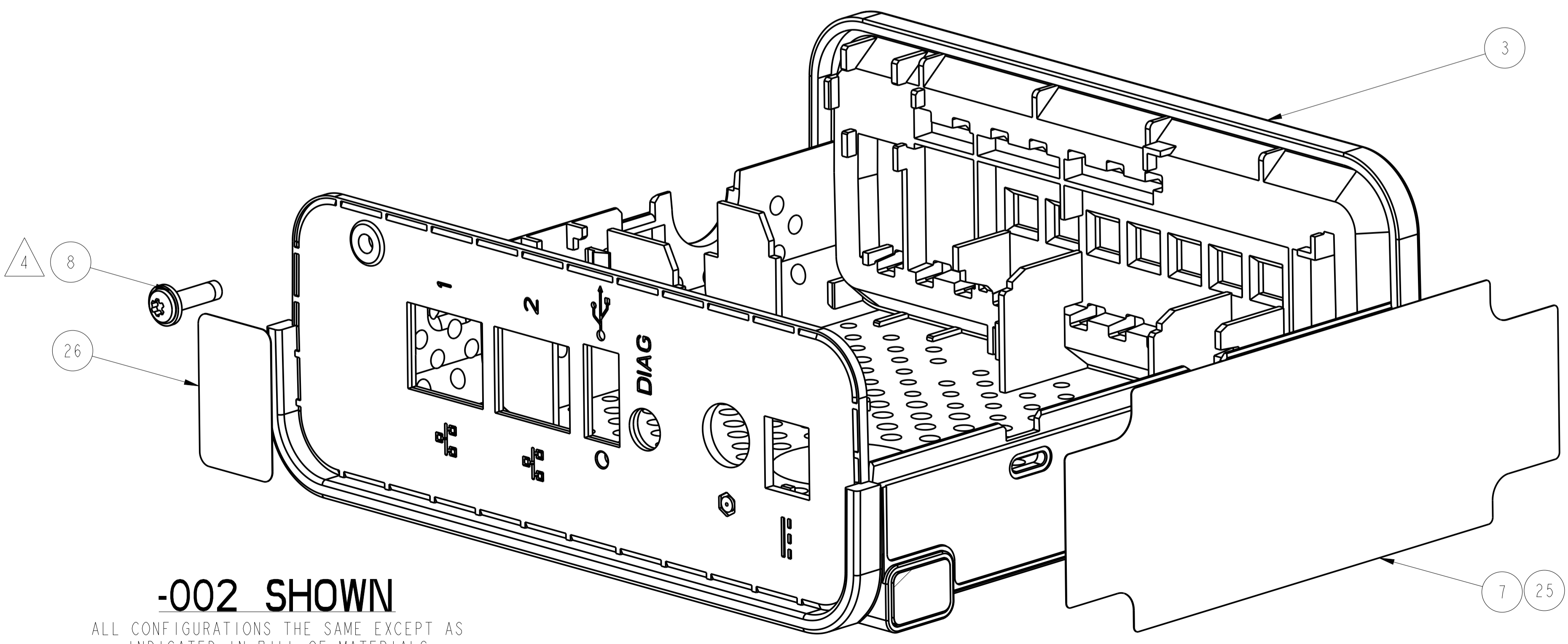
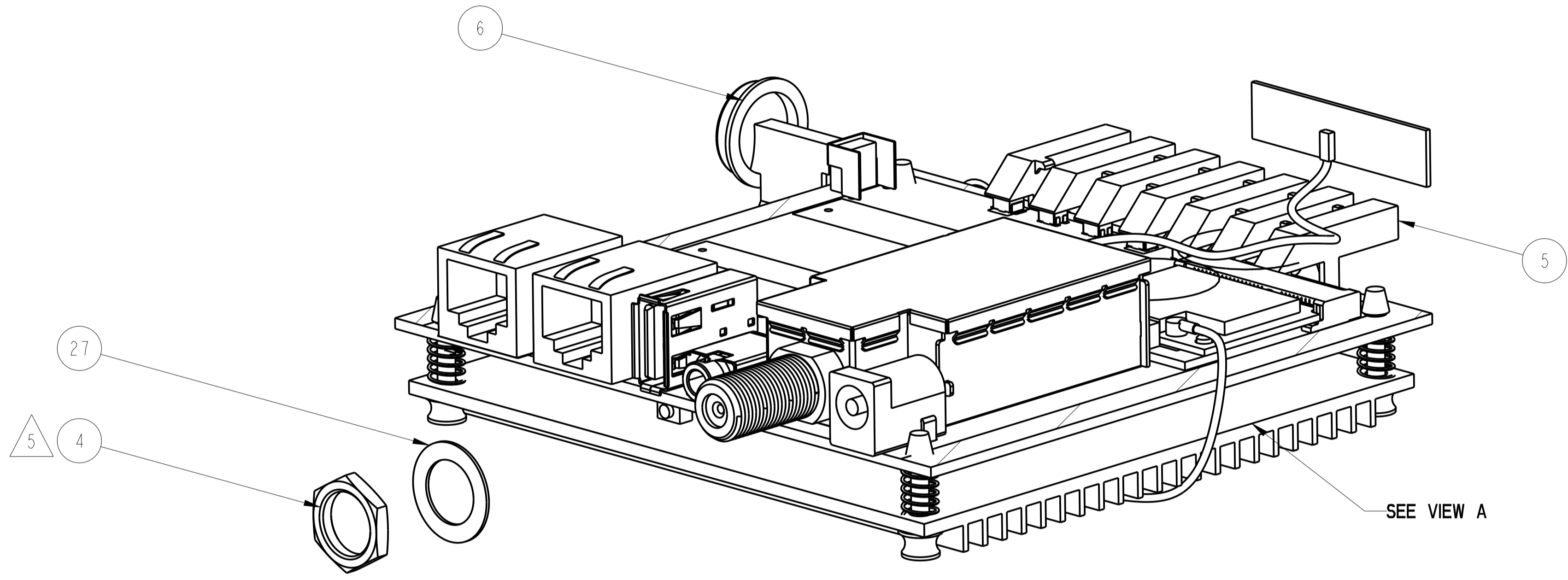
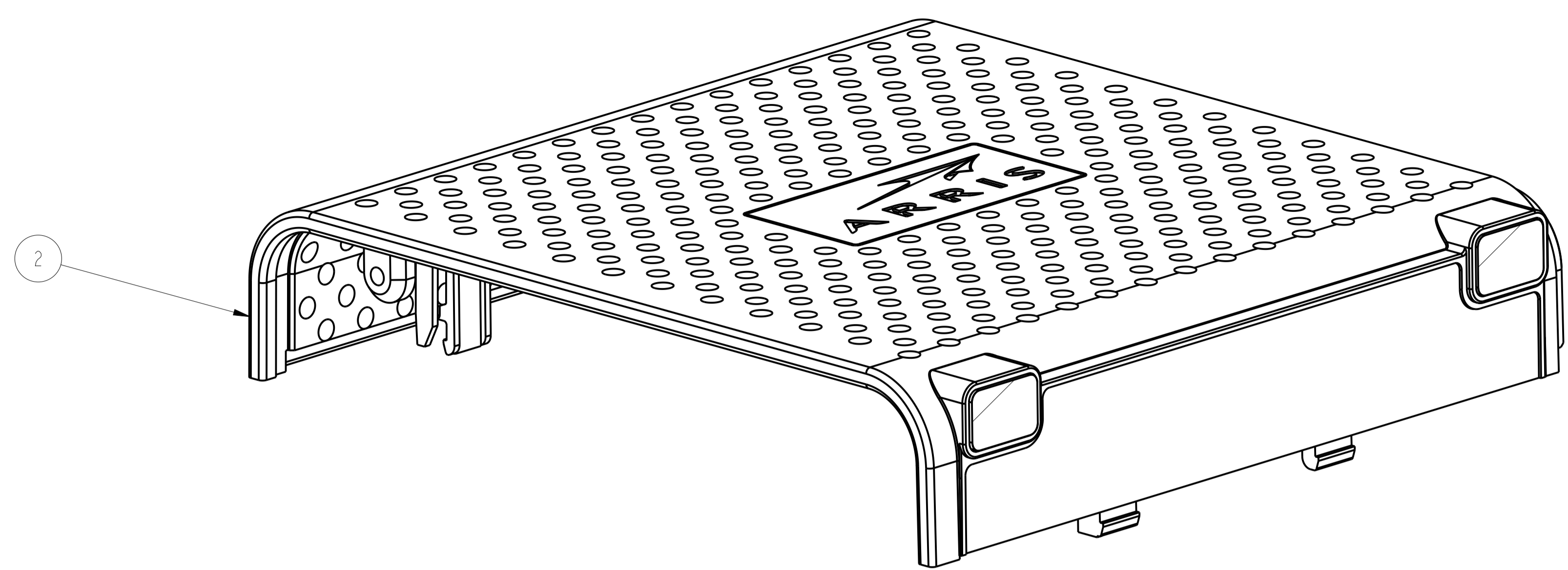
PART NUMBER	PRODUCT CODE	MODEL NAME	MODEL DESCRIPTION	PWA ASSY P/N
595384-001	4013	SBG6400	RETAIL	ARCT03810
595384-002	4021	SBG6400 DIAGNOSTIC		ARCT03562

COPYRIGHT 2010 ARRIS GROUP, INC. INFORMATION CONTAINED ON ALL SHEETS OF THIS PRINT CANNOT BE REPRODUCED OR USED, IN WHOLE OR IN PART, WITHOUT THE CONSENT OF ARRIS. THIS NOTICE DOES NOT IMPLY PUBLICATION. THIRD ANGLE PROJECTION		DESIGNED BY B. MILLS DRAWN BY M. TAYLOR APPROVED BY	 ARRIS GROUP, INC. TITLE SBG6400, CABLE MODEM, FINAL ASSEMBLY	
SIZE A1	CAGE CODE N/A	DRAWING NUMBER 595384	REV C	
SCALE NONE		PRODUCT ID SBG6400	SHEET 1 OF 3	

12 11 10 9 8 7 6 5 4 3 2 1

H G F E D C B A

H G F E D C B A



VIEW A

-002 SHOWN
ALL CONFIGURATIONS THE SAME EXCEPT AS INDICATED IN BILL OF MATERIALS
SCALE: 2/1

-002 SHOWN
ALL CONFIGURATIONS THE SAME EXCEPT AS INDICATED IN BILL OF MATERIALS
SCALE: 2/1

REFER TO SHEET 1 OF THIS PRINT FOR PART NUMBER STATUS, REVISION HISTORY, COPYRIGHT NOTICE, AND FULL TITLE BLOCK INFORMATION.	SIZE A1	CAGE CODE N/A	DRAWING NUMBER 595384	REV C
	SCALE 2/1	PRODUCT ID SBG6400	SHEET 2 OF 3	

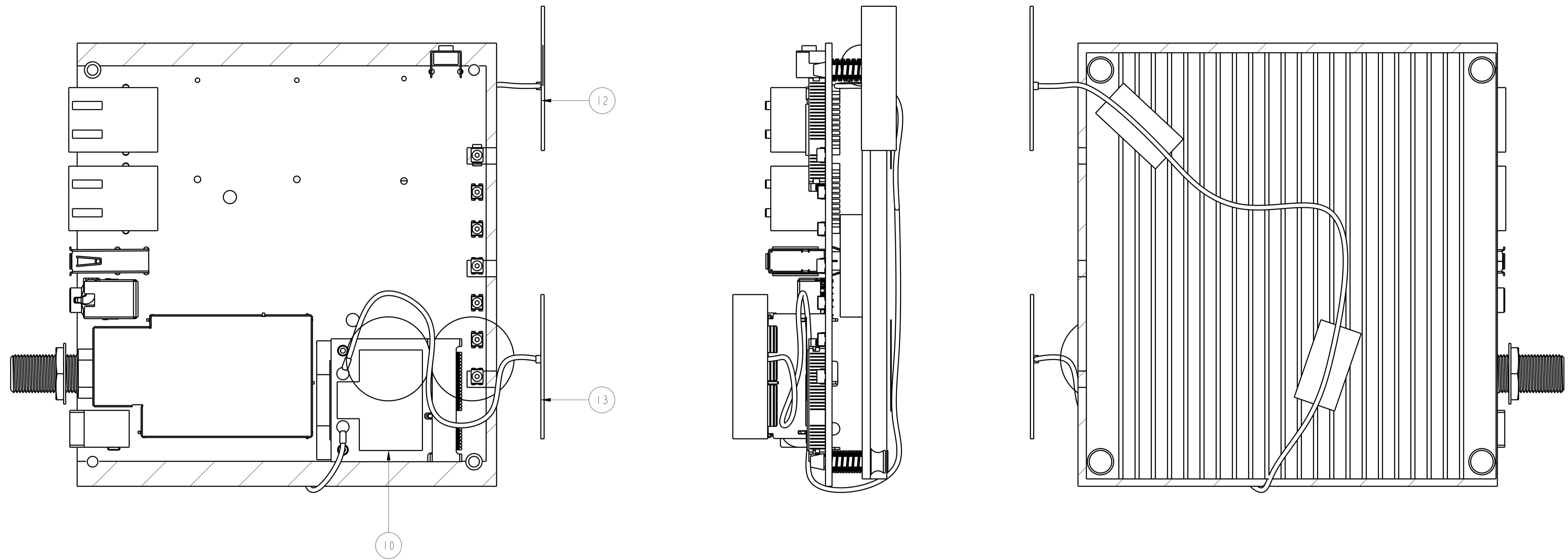
12 10 9 8 7 6 5 4 3 2 1

COMPUTER GENERATED PRINT
DO NOT SCALE
DO NOT REVISE MANUALLY

12 11 10 9 8 7 6 5 4 3 2 1

H
G
F
E
D
C
B
A

H
G
F
E
D
C
B
A



WI-FI RADIO AND ANTENNA ASSEMBLY

-002 SHOWN
 ALL CONFIGURATIONS THE SAME EXCEPT AS
 INDICATED IN BILL OF MATERIALS
 SCALE: 2/1

REFER TO SHEET 1 OF THIS PRINT FOR PART NUMBER STATUS, REVISION HISTORY, COPYRIGHT NOTICE, AND FULL TITLE BLOCK INFORMATION.	SIZE A1	CAGE CODE N/A	DRAWING NUMBER 595384	REV C
	SCALE 2/1	PRODUCT ID SB66400	SHEET 3 OF 3	

12 10 9 8 7 6 5 4 3 2 1

COMPUTER GENERATED PRINT
DO NOT SCALE
DO NOT REVISE MANUALLY

ARRIS

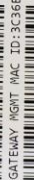
Node1-SB66400
Diagnostic

P/N:1595384-002-00
DCC315 3.0 FCI:014

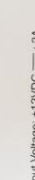
S/N: 4821 8341 5700 0535 0000 0002



HFC MAC ID: 3C E4 FF CB 5E



GATEWAY MGMT MAC ID: 3C36E4FFCB5F



SSID: 2.4:
SB66700AC-FCB5E
WI-FI SECURITY KEY:
d6575634fc

Input Voltage: +12VDC ---, 1.2A

ASSEMBLED IN CHINA



This device has not been authorized as required by the rules of the Federal Communications Commission. This device is not intended for sale or use in the United States and may not be offered for sale or use in other countries without prior authorization is obtained.