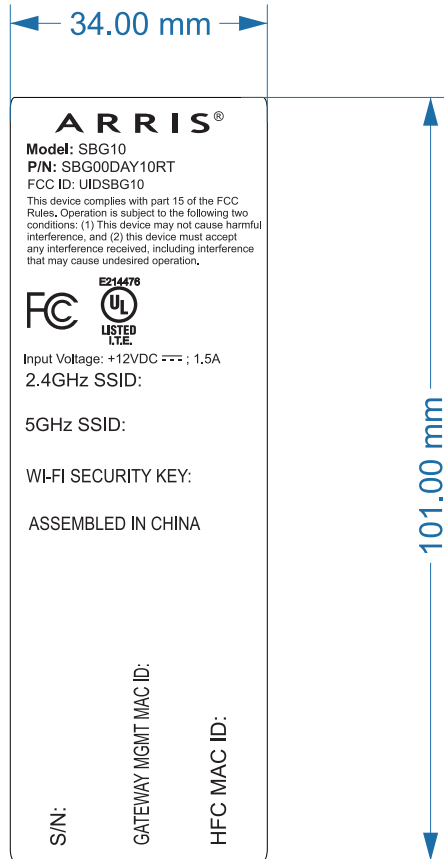


REVISION STATUS


REV	DATE	DESIGN	DESCRIPTION
A	4/04/18	M. TAYLOR	PRODUCTION RELEASE PER EB-XXXXX



**FIXED IMAGE VIEW**

SCALE: 1/1

SEE PAGE 2 FOR VARIABLE FIELDS  
DETAILS AND NOTES

			
TITLE <b>ARTWORK, LABEL, ID, REG, RETAIL, SBG10</b>			
SIZE <b>A</b>	PROJECT <b>SURFBOARD</b>	DRAWING NO: <b>ARFD00492</b>	REV <b>A</b>
SCALE: 1:1		FILE: ARFD00492_REVA.cdr	SHEET 1 OF 2

NOTES: UNLESS OTHERWISE INDICATED

1. DIMENSIONS ARE METRIC (MILLIMETERS). INTERPRET PER ANSI Y14.5M.

2. COLOR:  
BACKGROUND = WHITE  
FOREGROUND = PMS BLACK

3. ALL VARIABLE INFORMATION, INCLUDING BAR CODES AND TEXT RELATED TO BAR CODES, SHALL BE CONSTRUCTED AND PRINTED IN ACCORDANCE WITH THE LATEST REVISION OF ARRIS SPECS ARDO00951 AND ARDO00454, UNLESS OTHERWISE INDICATED.

4. THE ARRIS SERIAL NUMBER: REFER TO MPD LISTED IN KIT BOM FOR SERIAL NUMBER PRINTING INFORMATION. THERE SHALL BE A SPACE AFTER EVERY FOURTH DIGIT. THE SPACE SHALL NOT BE INCLUDED IN THE BAR CODE.

EXAMPLE: S/N: XXXX XXXX XXXX XXX

5. THE HFC MAC ID ADDRESS: REFER TO MPD LISTED IN KIT BOM FOR HFC MAC ID PRINTING INFORMATION. THERE SHALL BE A SPACE AFTER EVERY SECOND DIGIT. DOES NOT REQUIRE BARCODE.

EXAMPLE: HFC MAC ID: AB CD EF 01 23 45

6. THE GATEWAY MANAGEMENT MAC ID: REFER TO MPD LISTED IN KIT BOM FOR GATEWAY MANAGEMENT MAC ID PRINTING INFORMATION.

7. THE COUNTRY OF MANUFACTURE: SHALL INCLUDE THE NAME OF THE COUNTRY WHERE THE PRODUCT IS ASSEMBLED, FOLLOWING THE 'ASSEMBLED IN' VERBIAGE, WITH A UNIFORM CHARACTER HEIGHT.

8. THE SSID NUMBERS: SHALL FOLLOW THE 'SSID:' VERBIAGE, WITH UNIFORM CHARACTER HEIGHT. TEXT CASE (UPPER OR LOWER) SHALL BE PRINTED EXACTLY AS IT APPEARS IN ASSOCIATED MIB VARIABLE.

9. THE WI-FI SECURITY KEY: SHALL BE PRINTED DIRECTLY UNDERNEATH THE LINE THAT READS 'WI-FI SECURITY KEY,' WITH UNIFORM CHARACTER HEIGHT. TEXT CASE (UPPER OR LOWER) SHALL BE PRINTED EXACTLY AS IT APPEARS IN ASSOCIATED MIB VARIABLE. THERE SHALL BE A BLANK SPACE ADDED AFTER EVERY FOURTH DIGIT OF THE HUMAN READABLE CHARACTERS, FOR EASIER READABILITY.

EXAMPLE: WI-FI SECURITY KEY: 1234 5678 9012

10. THIS DOCUMENT IS THE PROPERTY OF ARRIS ENTERPRISES, LLC. THIS DOCUMENT MAY ONLY BE DISTRIBUTED TO: (I) AN ARRIS PARTY HAVING A LEGITIMATE BUSINESS NEED FOR THE INFORMATION CONTAINED HEREIN, OR (II) A NON-ARRIS PARTY HAVING A LEGITIMATE BUSINESS NEED FOR THE INFORMATION CONTAINED HEREIN. NO LICENSE, EXPRESSED OR IMPLIED, UNDER ANY PATENT, COPYRIGHT OR TRADE SECRET RIGHT IS GRANTED OR IMPLIED BY THE CONVEYANCE OF THIS DOCUMENT. NO PART OF THIS DOCUMENT MAY BE REPRODUCED, TRANSMITTED, TRANSCRIBED, STORED IN A RETRIEVAL SYSTEM, TRANSLATED INTO ANY LANGUAGE OR COMPUTER LANGUAGE, IN ANY FORM OR BY ANY MEANS, ELECTRONIC, MECHANICAL, MAGNETIC, OPTICAL, CHEMICAL, MANUAL, OR OTHERWISE WITHOUT THE PRIOR WRITTEN PERMISSION OF ARRIS ENTERPRISES, LLC. (SEE DOCUMENT SECURITY STANDARD, 320190-000 FOR DETAILS.)

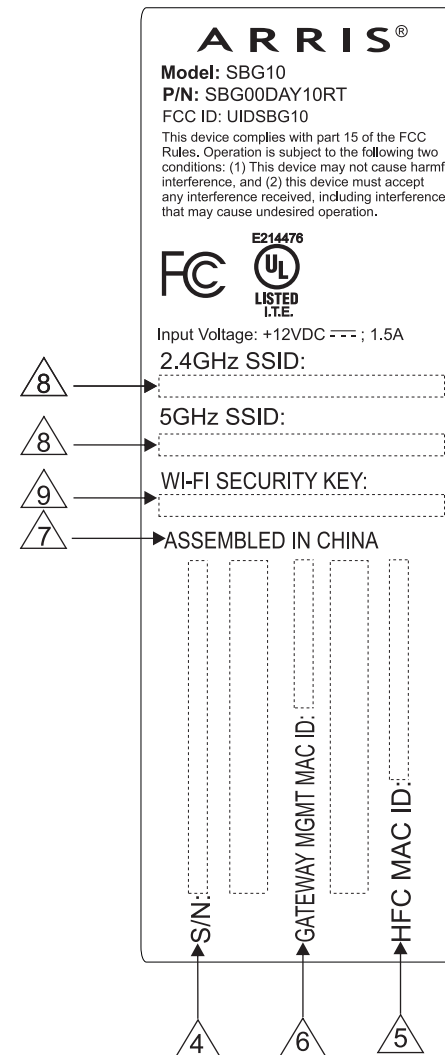
THE ARRIS LOGO AND ALL OTHER TRADEMARKS INDICATED AS SUCH HEREIN ARE TRADEMARKS OF ARRIS ENTERPRISES, LLC. ALL OTHER PRODUCT OR SERVICE NAMES ARE THE PROPERTY OF THEIR RESPECTIVE OWNERS.

COPYRIGHT ARRIS ENTERPRISES, LLC. 2018 ALL RIGHTS RESERVED.

11. ARRIS CONTROLLED AND REPORTABLE MATERIALS DISCLOSURE

PRIOR TO PART QUALIFICATION, SUPPLIER MUST PROVIDE ALL REQUIRED INFORMATION TO MEET THE APPROPRIATE ACCEPTANCE CRITERIA IN ACCORDANCE WITH ENVIRONMENTAL REGULATIONS FOR BANNED AND CONTROLLED SUBSTANCES AS OUTLINED IN THE ARRIS CORPORATE SUPPLY AGREEMENT AND PURCHASE ORDER TERMS AND CONDITIONS.

12. MATERIAL: SEE ATTACHMENT DRAWING IN MANUFACTURING P/N 583469\_SBG10\_FOXCONN.



**VARIABLE FIELDS PRINTING DETAIL**

FOR REFERENCE ONLY  
 ALL FIXED IMAGE INFORMATION  
 SHALL BE TAKEN FROM PAGE 1  
 SCALE: NONE

SIZE	PROJECT	DRAWING NO:	REV
A	SURFBOARD	ARFD00492	A
SCALE: NONE	FILE: ARFD00492_REVA.cdr	SHEET 2 OF 2	

Label Location