

Model TG852G

FCC ID: UIDGWM

IC: 6670A-GWM

This device complies with Part 15 of the FCC Rules and Industry Canada requirements. Operation is subject to the following two conditions: (1) This device may not cause harmful interference, and (2) this device must accept any interference received, including interference that may cause undesired operation. This Class B digital apparatus complies with Canadian ICES-003. Cet appareil numérique de la classe B est conforme à la norme NMB-003 du Canada.

Figure 1: Sample Label 1

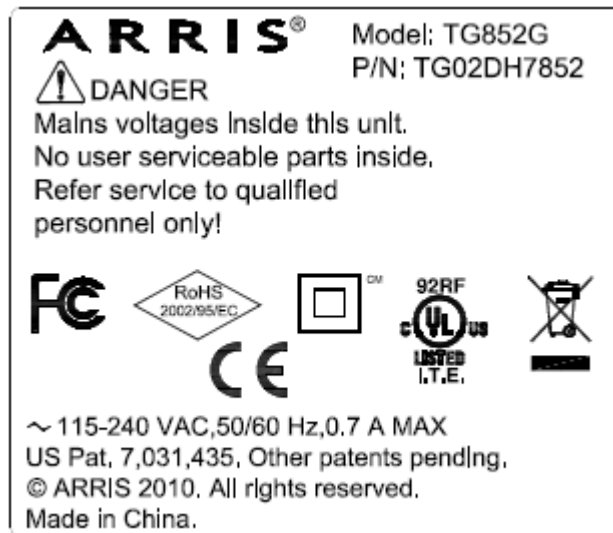


Figure 2: Sample Label 2

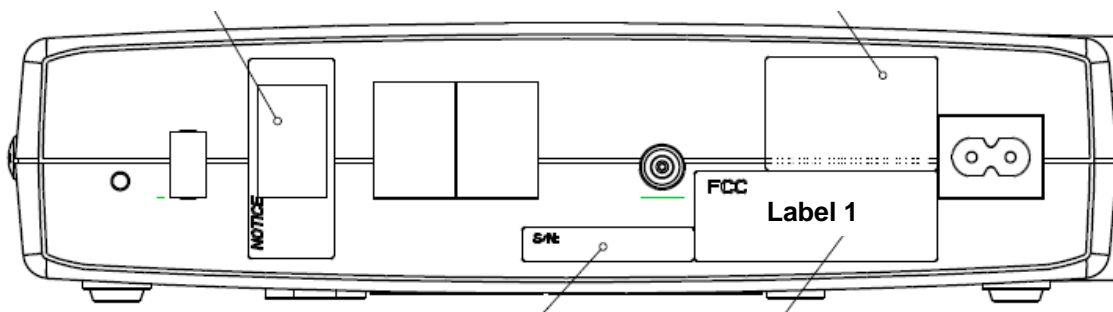


Figure 3: Label 1 Location

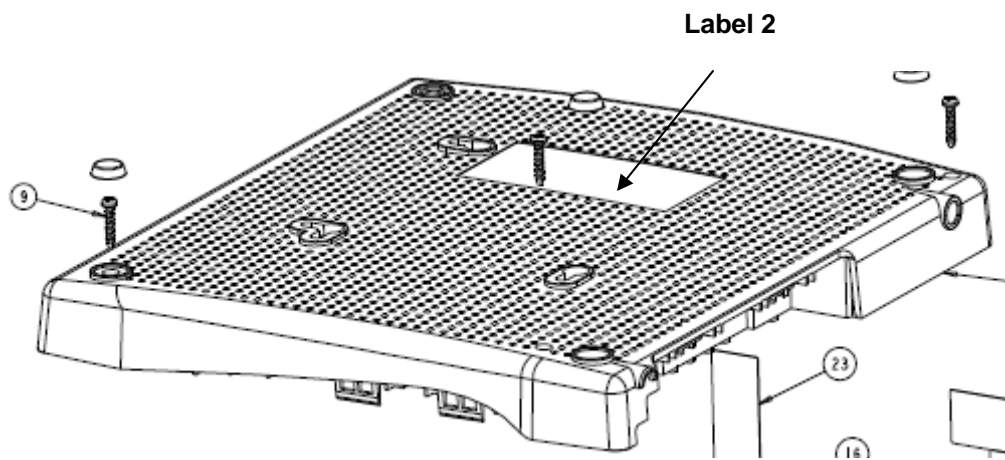


Figure 4: Label 2 Location

Model TG852G/CT

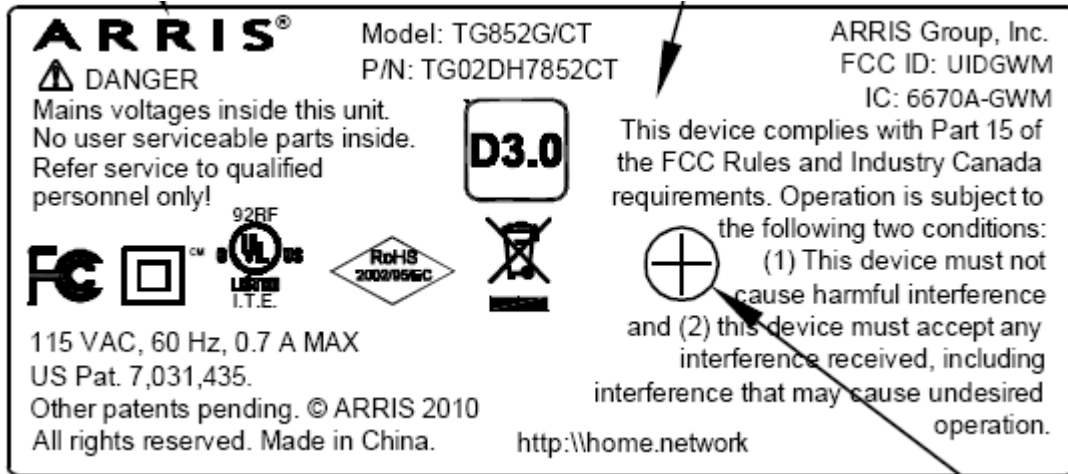


Figure 5: Sample Label

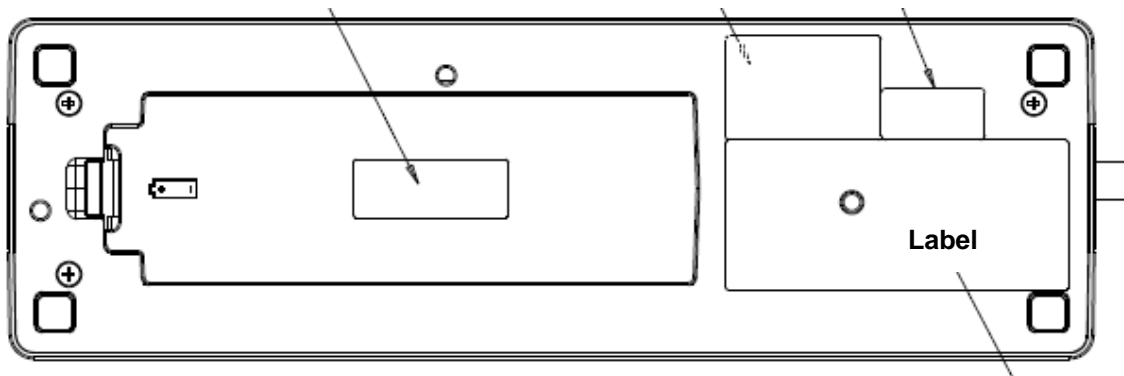


Figure 6: Label Location