

# PRECAUTIONS TO AVOID POSSIBLE EXPOSURE TO EXCESSIVE MICROWAVE ENERGY

1. Do not attempt to operate this oven with the door open since open-door operation can result in harmful exposure to microwave energy. It is important not to defeat or tamper with the safety interlocks.
2. Do not place any object between the oven front face and the door or allow soil or cleaner residue to accumulate on sealing surfaces.
3. Do not operate the oven if it is damaged. It is very important that the oven door close properly and that there is no damage to the
  - a) Door (including any bents),
  - b) Hinges and latches (broken or loosened),
  - c) Door seals and sealing surfaces.
4. The oven should not be adjusted or repaired by anyone except qualified service personnel.

## Content

PRECAUTIONS TO AVOID POSSIBLE EXPOSURE TO EXCESSIVE MICROWAVE ENERGY .....	1
IMPORTANT SAFETY INSTRUCTIONS .....	2
GROUNDING INSTRUCTIONS .....	4
Specifications.....	4
Installation Guide .....	5
Cooking Utensils Guide .....	5
Product Diagram .....	6
Control Panel .....	7
Operation Instructions.....	8
Setting clock time .....	8
Setting kitchen timer.....	8
Express cook.....	8
Setting the +30 sec function .....	8
Microwave cooking .....	8
Time defrost.....	9
Weight defrost.....	9
Multistage cooking .....	9
Memory function .....	9
Setting child lock .....	10
Auto Cook Menus .....	10
Cleaning and Care .....	11

# IMPORTANT SAFETY INSTRUCTIONS

**WARNING!**--To reduce the risk of burns, electric shock, fire, injury to persons or exposure to excessive microwave energy:

1. Read all instructions before using the appliance.
2. Read and follow the specific "PRECAUTIONS TO AVOID POSSIBLE EXPOSURE TO EXCESSIVE MICROWAVE ENERGY" on page 1.
3. This appliance must be grounded. Connect only to properly grounded outlet. See "GROUNDING INSTRUCTIONS" on page 4.
4. Install or locate this appliance only in accordance with the provided installation instructions.
5. Do not operate the oven when empty.
6. Some products such as whole eggs and sealed containers -for example, closed glass jars- are able to explode and should not be heated in this oven.
7. Use this appliance only for its intended use as described in this manual. Do not use corrosive chemicals or vapors in this appliance. This type of oven is specifically designed to heat, cook, or dry food. It is not designed for industrial or laboratory use.
8. As with any appliance, close supervision is necessary when used by children.
9. To reduce the risk of fire in the oven cavity:
  - a) Do not overcook food. Carefully attend appliance when paper, plastic, or other combustible materials are placed inside the oven to facilitate cooking.
  - b) Remove wire twist-ties from paper or plastic bags before placing bag in oven.
  - c) If materials inside the oven should ignite, keep oven door closed, turn oven off, and disconnect the power cord or shut off power at the fuse or circuit breaker panel.
  - d) Do not use the cavity for storage purposes. Do not leave paper products, cooking utensils or food in the cavity when not in use.
10. Liquids, such as water, coffee, or tea are able to be overheated beyond the boiling point without appearing to be boiling due to surface tension of the liquid. Visible bubbling or boiling when the container is removed from the microwave oven is not always present. **THEIS COULD RESULT IN VERY HOT LIQUIDS SUDDENLY BOILING OVER WHEN A SPOON OR OTHER UTENSIL IS INSERTED INTO THE LIQUID.** To reduce the risk of injury to person:
  - a) Do not overheat the liquid.
  - b) Stir the liquid both before and halfway through heating it.
  - c) Do not use straight-sided containers with narrow necks.
  - d) After heating, allow the container to stand in the microwave oven for a short time before removing the container.
  - e) Use extreme care when inserting a spoon or other utensil into the container.
11. Do not heat oil or fat for deep-frying. It is difficult to control the temperature of oil in

microwave oven.

12. Do not cover or block any openings on the appliance.
13. Do not store or use this appliance outdoors. Do not use this product near water, for example, near a kitchen sink, in a wet basement, near a swimming pool, or similar locations.
14. Do not operate this appliance if it has a damaged cord or a plug, if it is not working properly or if it has been damaged or dropped.
15. Do not immerse cord or plug in water. Keep cord away from heated surface. Do not let cord hang over edge of table or counter.
16. This appliance should be serviced only by qualified service personnel, contact nearest authorized service facility for examination, repair, or adjustment.
17. When cleaning surfaces of door and oven that comes together on closing the door, use only mild, nonabrasive soaps, or detergents applied with a sponge or soft cloth.
18. This equipment has been tested and found to comply with Part 18 of the FCC Rules. Operation is subject to the following two conditions: (1) This device may not cause harmful interference, and (2) this device must accept any interference received, including interference that may cause undesired operation.

**CAUTION:** Changes or modifications not expressly approved by the party responsible for compliance could void the user's authority to operate the product.

19. This equipment generates, uses and can radiate radio frequency energy and, if not installed and used in accordance with the instructions, may cause harmful interference to radio communications. However, there is no guarantee that interference will not occur in a particular installation. If this equipment does cause harmful interference to radio or television reception, which can be determined by turning the equipment off and on, the user is encouraged to try to correct the interference by one or more of the following measures:
  - Reorient or relocate the receiving antenna.
  - Increase the separation between the equipment and receiver.
  - Connect the equipment into an outlet on a circuit different from that to which the receiver is connected.
  - Consult the dealer or an experienced radio/TV technician for help.

## SAVE THESE INSTRUCTIONS

# GROUNDING INSTRUCTIONS

This appliance must be grounded. In the event of an electrical short circuit, grounding reduces risk of electric shock by providing an escape wire for the electric current. This appliance is equipped with a cord having a grounding wire with a grounding plug. The plug must be plugged into an outlet that is properly installed and grounded.

**WARNING!**-- Improper use of the grounding plug can result in a risk of electric shock.

Consult a qualified electrician or serviceman if the grounding instructions are not completely understood, or if doubt exists as to whether the appliance is properly grounded, and if it is necessary to use an extension cord, use only a 3-wire extension cord that has a 3-blade grounding plug and a 3-slot receptacle that will accept the plug on the appliance.

The marked rating of the extension cord shall be equal to or greater than the electrical rating of the appliance.

## Electrical Requirements

The electrical requirements are a 120 volt 60 Hz, AC only, 15 amp. It is recommended that a separate circuit serving only the oven be provided. The oven is equipped with a 3-prong grounding plug. It must be plugged into a wall outlet properly installed and grounded.

## Power Cord

1. A short power supply cord is provided to reduce the risks resulting from becoming entangled in or tripping over a longer cord.
2. Longer cord sets or extension cords are available and may be used if care is exercised in their use.
3. If long cord or extension cord is used:
  - a) The marked electrical rating of the cord set or extension cord should be at least as great as the electrical rating of the appliance.
  - b) The extension cord must be a grounding-type 3-wire cord, and The longer cord should be arranged so that it will not drape over the counter top or table top where it can be pulled on by children or tripped over unintentionally.

## Specifications

Power Consumption	120V/60Hz, 1100W(microwave)
Output	700W
Operation Frequency	2450MHz
Outside Dimensions(H x W x D)	10 <sup>5</sup> / <sub>16</sub> × 17 <sup>13</sup> / <sub>16</sub> × 12 <sup>5</sup> / <sub>16</sub> in.
Oven Capacity	0.7cu.ft.
Net Weight	Approx.22.5lbs

# Installation Guide

1. Make sure that all the packing materials are removed from the inside of the door.
2. This microwave oven must be placed on a flat.
3. For correct operation, the oven must have sufficient air flow. Allow 20cm of space above the oven, 10cm at back and 5cm at both sides. Do not cover or block any openings on the appliance. Do not remove feet on which oven stands.
4. Do not operate the oven without glass tray, roller support, and shaft in their proper positions.
5. Make sure that the power cord is undamaged and does not run under the oven or over any hot or sharp surface.
6. The socket must be readily accessible so the microwave oven can be easily unplugged in an emergency.

# Cooking Utensils Guide

This section lists which utensils can be used in this microwave, which have limited use for short periods, and which should not be used in this microwave.

## RECOMMENDED

---

**Microwave browning dish** — Use to brown the exterior of small items such as steaks, chops, or pancakes. Follow the directions provided with your browning dish.

**Microwaveable plastic wrap** — Use to retain steam. Leave a small opening for some steam to escape and avoid placing it directly on the food.

**Paper towels and napkins** — Use for short-term heating and covering; these absorb excess moisture and prevent spattering. Do not use recycled paper towels, which may contain metal and could ignite.

**Glass and glass-ceramic bowls and dishes** — Use for heating or cooking.

**Paper plates and cups** — Use for short-term heating at low temperatures. Do not use recycled paper, which may contain metal and could ignite.

**Wax paper** — Use as a cover to prevent spattering.

**Thermometers** — Use only those labeled "Microwave Safe" and follow all directions. Check the food in several places. Conventional thermometers may be used on microwave food once the food has been removed from the oven.

## LIMITED USE

---

**Aluminum foil** — Use narrow strips of foil to prevent overcooking of exposed areas. Using too much foil can damage your oven, so be careful. You should keep distance of 1 inch (2.54cm) between aluminum foil and cavity.

**Ceramic, porcelain, and stoneware**— Use these if they are labeled "Microwave Safe". If they are not labeled, test them to make sure they can be used safely.

**Plastic** — Use only if labeled "Microwave Safe". Other plastics can melt.

## NOT RECOMMENDED

---

**Glass jars and bottles** — Regular glass is too thin to be used in a microwave. It can shatter and cause damage and injury.

**Paper bags** — These are a fire hazard, except for popcorn bags that are designed for microwave use.

**Styrofoam plates and cups** — These can melt and leave an unhealthy residue on food.

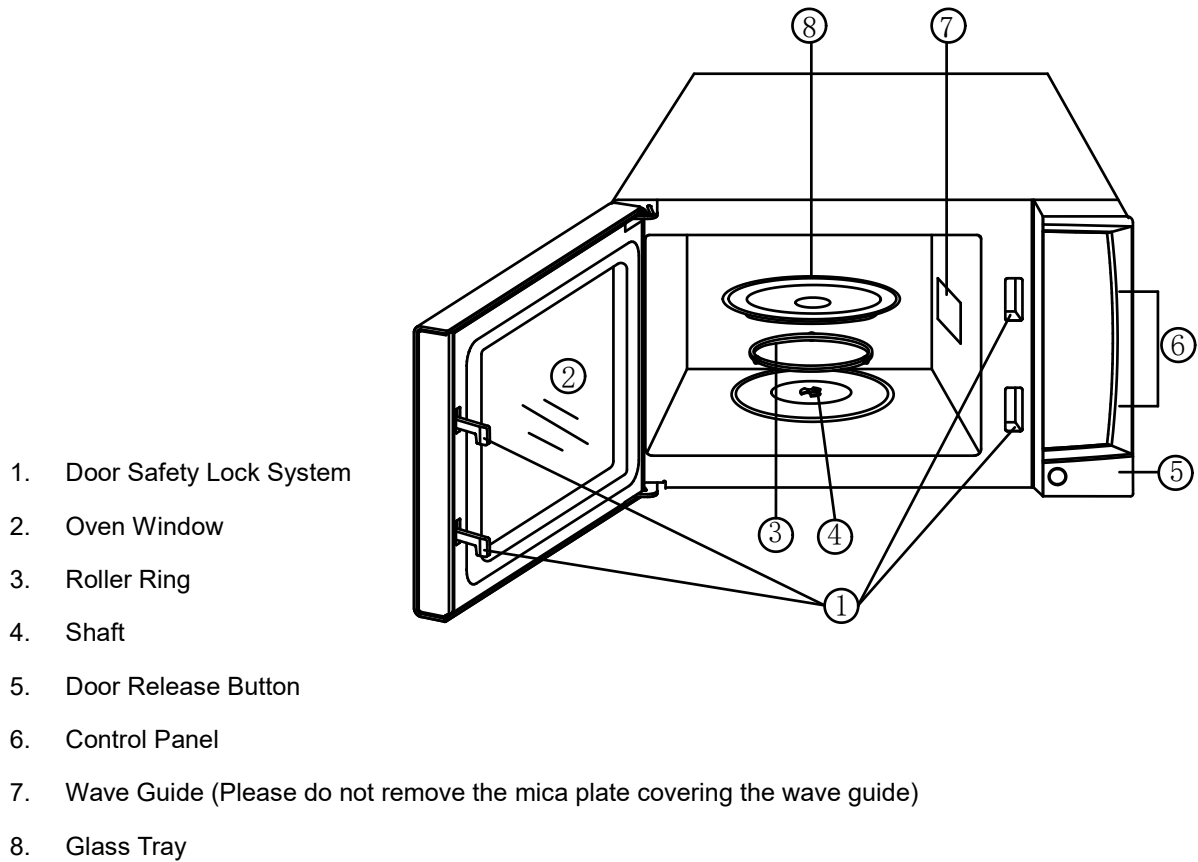
**Plastic storage and food containers** — Containers such as margarine tubs can melt in the microwave.

**Metal utensils** — These can damage your oven. Remove all metal before cooking.

Note:

Should you wish to check if a dish is safe for microwaving, place the empty dish in the oven and microwave on HIGH for 30 seconds. A dish which becomes very hot should not be used.

## Product Diagram



# Control Panel



- **MENU ACTION SCREEN**

Cooking time, power, indicators and present time are displayed.

- **AUTO COOK MENUS**

Instant settings to cook popular foods

- **POWER**

Use to set microwave cooking power level.

- **NUMBER PADS(0-9)**

Touch to set time or amount of food.

But use the number pads from 1 to 6 can set express cook.

- **KITCHEN TIMER**

Kitchen timer functions independently, even while a cooking program is in process.

- **TIME COOK**

Use to set microwave cooking program.

- **CLOCK**

Press to set current time.

- **WEIGHT DEFROST**

Programmed defrosting based on the weight of the foods to be defrosted.

- **TIME DEFROST**

Time defrost function that alternates defrost and stand times to quickly and effectively defrost foods.

- **MEMORY**

Used to store cooking program (number pad "0").

- **STOP/CANCEL**

Use to cancel all settings or set child lock.

- **START/+30 SEC**

Press to start a cooking program. It is also used to increase cooking time during cooking.

# Operation Instructions

- When the oven first plugged in, beep will sound and the display will show "00:00".
- In the process of cooking set, broke about 20 seconds the oven will return to standby mode.
- During cooking, if touch STOP/CANCEL pad once, the program will be paused, then touch START/+30 SEC pad to resume, but if touch STOP/CANCEL pad twice, the program will be cancelled.
- After ending cooking, five beeps will sound and the oven will return standby mode.

## SETTING CLOCK TIME

---

This is a 12 or 24 hour clock, you can choose to set the clock time in 12 or 24 hour cycle by touching the CLOCK button in standby mode.

1. In standby mode, touch CLOCK pad once or twice to select 12 or 24 hour clock.
2. Use the number pads to enter the correct time.
3. Touch START/+30 SEC pad to confirm.

**NOTE:** During cooking, you can check the current time of the clock by touching CLOCK pad.

## SETTING KITCHEN TIMER

---

The longest time is 99 minutes 99 seconds.

1. Touch KITCHEN TIMER button once.
2. Enter the amount of time by touching the number buttons.
3. Touch START/+30 SEC button to confirm.

**NOTE:** When the countdown ends, the buzzer will beep to remind you. You can check the countdown time by touching KITCHEN TIMER button, but if STOP/CANCEL button is touched when the display shows the time, the function can be cancelled.

## EXPRESS COOK

---

Directly in standby mode, when you touch a number button (1, 2, 3, 4, 5 or 6) once, the corresponding system direct start cooking time starts respectively 1 minute, 2 minutes, 3 minutes, 4 minutes, 5 minutes and 6 minutes. The microwave oven will start to cook at full power level.

## SETTING THE +30 SEC FUNCTION

---

In standby mode, touch START/+30 SEC button repeatedly to enter cooking time, the microwave oven will auto start cooking at full power level. The longest cooking time you can enter is 99 minutes and 99 seconds.

**NOTE:** During cooking (microwave cooking., express cook and time defrost), you can add cooking time by touching START/+30 SEC button.

## MICROWAVE COOKING

---

1. In standby mode, touch the TIME COOK button once.
2. Use the number pads to set a cooking time. The longest cooking time is 99 minutes and 99 seconds.
3. If you want to set a POWER other than 100% power, touch POWER pad, and then use the number pads to enter the power level.
4. Touch START/+30 SEC to start cooking.

**Use the digits to set a cooking power level:**



Press number pad	Cooking power (Display)	Touch number pad	Cooking power (Display)
1,0	100% (PL10)	4	40% (PL-4)
9	90% (PL-9)	3	30% (PL-3)
8	80% (PL-8)	2	20% (PL-2)
7	70% (PL-7)	1	10% (PL-1)
6	60% (PL-6)	0	0% (PL-0)
5	50% (PL-5)		

**NOTE:** During cooking, you can touch POWER button to check the cooking power, and then you can set the power level again by pressing numbers pads.

### TIME DEFROST

The defrosting power is adjusted automatically once the cooking time is programmed.

1. In standby mode, touch TIME DEFROST button once.
2. Use the number buttons to enter defrosting time. The longest time is 99 minutes 99 seconds.
3. Touch START/+30 SEC button to confirm.

### WEIGHT DEFROST

The microwave oven allows the defrosting of meat, poultry, and seafood. The time and the defrosting power are adjusted automatically once the weight is programmed. The frozen food weight ranges from 4 oz to 100oz.

Suppose you want to defrost 15 oz of shrimp.

1. Place the shrimp to be defrosted into the oven.
2. Touch WEIGHT DEFROST button once.
3. Use the number buttons to enter the food weight.
4. Touch START/+30 SEC button to confirm.

**NOTE:** During defrosting program, the system will pause to remind user to turn food over, and then touch START/+30 SEC pad to resume.

### MULTISTAGE COOKING

Your oven can be programmed for up to 2 automatic cooking sequences. If time defrost or weight defrost be set in the second sequence, the time defrost or weight defrost will start automatically in the first sequence.

Suppose you want to set the following cooking program.

Microwave-cooking



Microwave-cooking (with lower power level)

1. Set the first stage cooking program. Do not touch START/+30 SEC pad.
2. Set the second stage cooking program..
3. Press START/+30 SEC pad to start.

**NOTE:** Express cooking and auto cook menus cannot be set in multiple cooking program.

### MEMORY FUNCTION

This function can help you to start the stored cooking programs directly. The system can store three cooking programs.

### A. Store the first cooking program

1. In standby mode, press MEMORY(0) pad once.
2. Set a one-stage cooking or two-stage cooking program.
3. Press START/+30 SEC pad to confirm the program.

### B. Store the second cooking program

1. In standby mode, press MEMORY(0) pad twice.
2. Set a one-stage cooking or two-stage cooking program.
3. Press START/+30 SEC pad to confirm the program.

### C. Store the third cooking program

1. In standby mode, press MEMORY(0) pad thrice.
2. Set a one-stage cooking or two-stage cooking program.
3. Press START/+30 SEC pad to confirm the program.

To start the stored cooking program: Place food into oven and close the door, press MEMORY(0) pad once, twice or thrice to select the stored cooking program, and then Press START/+30 SEC pad to start the stored cooking program.

**NOTE:** When the oven is plugged in or when power resumes after a power interruption, the memory function is canceled, you need to reset the function before using.

## SETTING CHILD LOCK

The safety lock prevents unsupervised operation by children.

- To set the child proof lock: In standby mode, touch and hold STOP/CANCEL button for 3 seconds, then a beep will sound and the oven will auto enter child lock mode.
- To cancel the child proof lock: Touch and hold STOP/CANCEL button for 3 seconds, then a beep will sound and system resume.

## Auto Cook Menus

For food or the following cooking mode, it is not necessary to program the time and the cooking power. It is sufficient to indicate the type of food that you want to cook as well as the weight or shares of this food.

1. In standby mode, touch the corresponding menu button once or repeatedly to select the weight of food to be cooked.
2. Touch START/+30 SEC button.

Food	1. For Beverage and Potato, the screen will show the number of serving instead of food weight. 2. The result of auto cooking depends on factors such as voltage fluctuation, the shape and size of food, your personal preference as to the doneness of certain foods and even how well you happen to place food in the oven. If you find the result at any rate not quite satisfactory, please adjust the cooking time a little bit accordingly.
Popcorn (oz)	
Potato (8 oz/share)	
Pizza (oz)	
Frozen vegetable (oz)	
Beverage ( 4 oz/cup)	
Dinner plate (oz)	

# Cleaning and Care

1. Turn off the oven and unplug the power cord from the wall when cleaning.
2. Keep the inside of the oven clean. When food splatters or spilled liquids adhere to oven walls, wipe with a damp cloth. Mild detergents may be used if the oven gets very dirty. Avoid using spray or other harsh cleaners. They may stain, streak or dull the door surface.
3. The outside of the oven should be cleaned with a damp cloth. To prevent damage to the operating parts inside the oven, water should not be allowed to seep into the ventilation openings.
4. Wipe the door and window on both sides, the door seals and adjacent parts frequently with a damp cloth to remove any spills or splatters. Do not use abrasive cleaner.
5. Do not allow the control panel to become wet. Clean with a soft, damp cloth. When cleaning the control panel, leave oven door open to prevent oven from accidentally turning on.
6. If steam accumulates inside or around the outside of the oven door, wipe with a soft cloth. This may occur when the microwave oven is operated under high humidity condition. And it is normal.
7. It is occasionally necessary to remove the glass tray for cleaning. Wash the tray in warm sudsy water or in a dishwasher.
8. The roller ring and oven floor should be cleaned regularly to avoid excessive noise. Simply wipe the bottom surface of the oven with mild detergent. The roller ring may be washed in mild, soapy water or in a dishwasher. When removing the roller ring, be sure to replace it in the proper position.
9. Remove odors from your oven by combining a cup of water with the juice and skin of one lemon in a microwaveable bowl. Microwave for 5 minutes. Wipe thoroughly and dry with a soft cloth.
10. If the light bulb burns out, please contact customer service to have it replaced.
11. The oven should be cleaned regularly and any food deposits should be removed. Failure to maintain the oven in a clean condition could lead to deterioration of surface that could adversely affect the life of the unit and could possibly result in a hazardous situation.
12. Please do not dispose of this appliance into the domestic rubbish bin; it should be disposed to the particular disposal center provided by the municipalities.

FCC Caution.

This product has been tested and found to comply with the limits for Microwave Oven, pursuant to Part 18 of the FCC Rules.

This product can radiate radio frequency energy, which could cause interference to such products as radio, TV, baby monitor, cordless phone, Bluetooth, wireless router, etc., which can be confirmed by turning this product off and on. If present, the user is encouraged to try to correct by taking one or more of the following countermeasures:

- (1) Increase the spacing distance between the microwave oven and other product receiving the interference.
- (2) If possible, use a properly installed receiver antenna and/or reorient the receiving antenna of the other product receiving the interference.
- (3) Plug the microwave oven into a different outlet from the other product receiving the interference.
- (4) Clean door and sealing surfaces of the oven. (See Care and Cleaning of Your Microwave Oven)