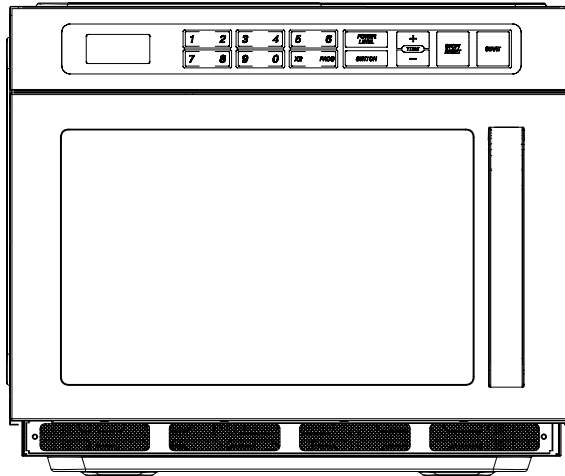


Owner's Manual



MODEL: P180M30ASL-YL

Please read these instructions carefully before installing and operating the oven.

Record in the space below the SERIAL NO. found on the nameplate on your oven and retain this information for future reference.

SERIAL NO.

Please save sales receipt for warranty.

This equipment generates, uses and can radiate radio frequency energy and, if not installed and used in accordance with the instructions, may cause harmful interference to radio communications. However, there is no guarantee that interference will not occur in a particular installation. If this equipment does cause harmful interference to radio or television reception, which can be determined by turning the equipment off and on, the user is encouraged to try to correct the interference by one or more of the following measures:

- Reorient or relocate the receiving antenna.
- Increase the separation between the equipment and receiver.
- Connect the equipment into an outlet on a circuit different from that to which the receiver is connected.
- Consult the dealer or an experienced radio/TV technician for help

					说明书 (P180M30ASL-YL)				JS1M0609-19845-004			
标记	处数	更改单号	签字	日期								
设计	陈琴	标准化	谭银珠		图样标记	数量	重量	比例				
校对		审定	王守国		S	A		1:1	广东格兰仕微波炉电器制造有限公司			
审核	王少云											
工艺		日期	2013-01-12		共 19 页	第 1 页						

CONTENTS

CONTENTS	2
PRECAUTIONS TO AVOID POSSIBLE EXPOSURE TO EXCESSIVE MICROWAVE ENERGY	3
SPECIFICATIONS.....	3
IMPORTANT SAFETY INSTRUCTIONS	4
INSTALLATION GUIDE	6
GROUNDING INSTRUCTIONS.....	6
COOKING TECHNIQUES	8
UTENSILS GUIDE	9
PART NAMES	10
CONTROL PANEL.....	14
HOW TO SET THE OVEN CONTROLS	15
MICROWAVE COOKING	15
SAVE A MULTI-STAGE COOKING TO A NUMBER KEY	15
HOW TO USE THE X2 PAD	16
COUNT OF OPERATIONS.....	17
SWITCH.....	17
ADJUST THE COOKING TIME	17
CHILD PROOF LOCK.....	17
RETURN TO FACTORY SETTING	18
CLEANING AND CARE	19

					说明书 (P180M30ASL-YL)				JS1M0609-19845-004			
标记	处数	更改单号	签字	日期								
设计	陈琴	标准化	谭银珠	图样标记	数量	重量	比例	广东格兰仕微波炉电器制造有限公司				
校对		审定	王守国	S	A		1:1					
审核	王少云											
工艺		日期	2013-01-12	共 19 页	第 2 页							

PRECAUTIONS TO AVOID POSSIBLE EXPOSURE TO EXCESSIVE MICROWAVE ENERGY

1. Do not attempt to operate this oven with the door open since open door operation can result in harmful exposure to microwave energy. It is important not to defeat or tamper with the safety interlocks.
2. Do not place any object between the oven front face and the door or allow soil or cleaner residue to accumulate on sealing surfaces.
3. Do not operate the oven if it is damaged. It is particularly important that the oven door close properly and that there is no damage to the
 - 1) Door (bent),
 - 2) Hinges and latches (broken or loosened),
 - 3) Door seals and sealing surfaces.
4. The oven should not be adjusted or repaired by anyone except properly qualified service personnel.

SPECIFICATIONS

Power Supply	240V~60Hz
Power Consumption (Microwave)	2800W(2 TUBES) 1400W (1 TUBE)
Rated Microwave Power Output:	1800W(2 TUBES) 900W (1 TUBE)
Operation Frequency:	2450MHz
Outside Dimensions:	15 15/16×19 5/16×26 8/16 in.
Oven Cavity Dimensions:	8 13/16×14 12/16×14 14/16 in.
Oven Capacity:	1.06 cu.ft
Net Weight:	Approx. 76lb

					说明书 SEE30FY LH-SABCOU (P180M30ASL-YL)				JS1M0609-19845-004			
标记	处数	更改单号	签字	日期								
设计	陈琴	标准化	谭银珠						图样标记	数量	重量	比例
校对		审定	王守国		S	A		1:1	广东格兰仕微波炉电器制造有限公司			
审核	王少云											
工艺		日期	2013-01-12		共 19 页		第 3 页					

IMPORTANT SAFETY INSTRUCTIONS

When using electrical appliances, basic safety precautions should be followed, including the following:

WARNING - To reduce the risk of burns, electric shock, fire, and injury to persons or exposure to excessive microwave energy:

1. Read all instructions before using the appliance.
2. Read and follow the specific "PRECAUTIONS TO AVOID POSSIBLE EXPOSURE TO EXCESSIVE MICROWAVE ENERGY" on page 1.
3. This appliance must be grounded. Connect only to properly grounded outlet. See "GROUNDING INSTRUCTIONS" on page 4.
4. Install or locate this appliance only in accordance with the provided installation instructions.
5. Some products such as whole eggs and sealed containers -for example, closed glass jars- are able to explode and should not be heated in this oven.
6. Use this appliance only for its intended use as described in this manual. Do not use corrosive chemicals or vapors in this appliance. This type of oven is specifically designed to heat, cook, or dry food. It is not designed for industrial or laboratory use.
7. As with any appliance, close supervision is necessary when used by children.
8. To reduce the risk of fire in the oven cavity:
 - a. Do not overcook food. Carefully attend appliance when paper, plastic, or other combustible materials are placed inside the oven to facilitate cooking.
 - b. Remove wire twist-ties from paper or plastic bags before placing bag in oven.
 - c. If materials inside the oven should ignite, keep oven door closed, turn oven off, and disconnect the power cord or shut off power at the fuse or circuit breaker panel.
 - d. Do not use the cavity for storage purposes. Do not leave paper products, cooking utensils or food in the cavity when not in use.
9. Liquids, such as water, coffee, or tea can be overheated beyond the boiling point without appearing to be boiling due to surface tension of the liquid. Visible bubbling or boiling when the container is removed from the microwave oven is not always present. **THIS COULD RESULT IN VERY HOT LIQUIDS SUDDENLY BOILING OVER WHEN A SPOON OR OTHER UTENSIL IS INSERTED INTO THE LIQUID.** To reduce the risk of injury to person:
 - 1) Do not overheat the liquid.
 - 2) Stir the liquid both before and halfway through heating it.
 - 3) Do not use straight-sided containers with narrow necks.
 - 4) After heating, allow the container to stand in the microwave oven for a short time before removing the container.
 - 5) Use extreme care when inserting a spoon or other utensil into the container.
10. Do not heat oil or fat for deep-frying. It is difficult to control the temperature of oil in microwave oven.
11. Pierce foods with heavy skins such as potatoes, whole squash, apples and chestnuts before cooking.
12. The contents of feeding bottles and baby jars should be stirred or shaken and the temperature

					说明书 SEE30FY LH-SABCOU (P180M30ASL-YL)				JS1M0609-19845-004			
标记	处数	更改单号	签字	日期								
设计	陈 琴	标准化	谭银珠		图 样 标 记	数量	重量	比例	广东格兰仕微波炉电器制造有限公司			
校对		审 定	王守国		S	A		1:1				
审核	王少云											
工艺		日期	2013-01-12		共 19 页		第 4 页					

should be checked before serving in order to avoid burns.

13. Cooking utensils may become hot because of heat transferred from the heated food. Potholders may be needed to handle the utensil.

14. Do not cover or block any openings on the appliance.

15. Do not store or use this appliance outdoors. Do not use this product near water, for example, near a kitchen sink, in a wet basement, near a swimming pool, or similar locations.

16. Do not operate this appliance if it has a damaged cord or a plug, if it is not working properly or if it has been damaged or dropped.

17. Do not immerse cord or plug in water. Keep cord away from heated surface. Do not let cord hang over edge of table or counter.

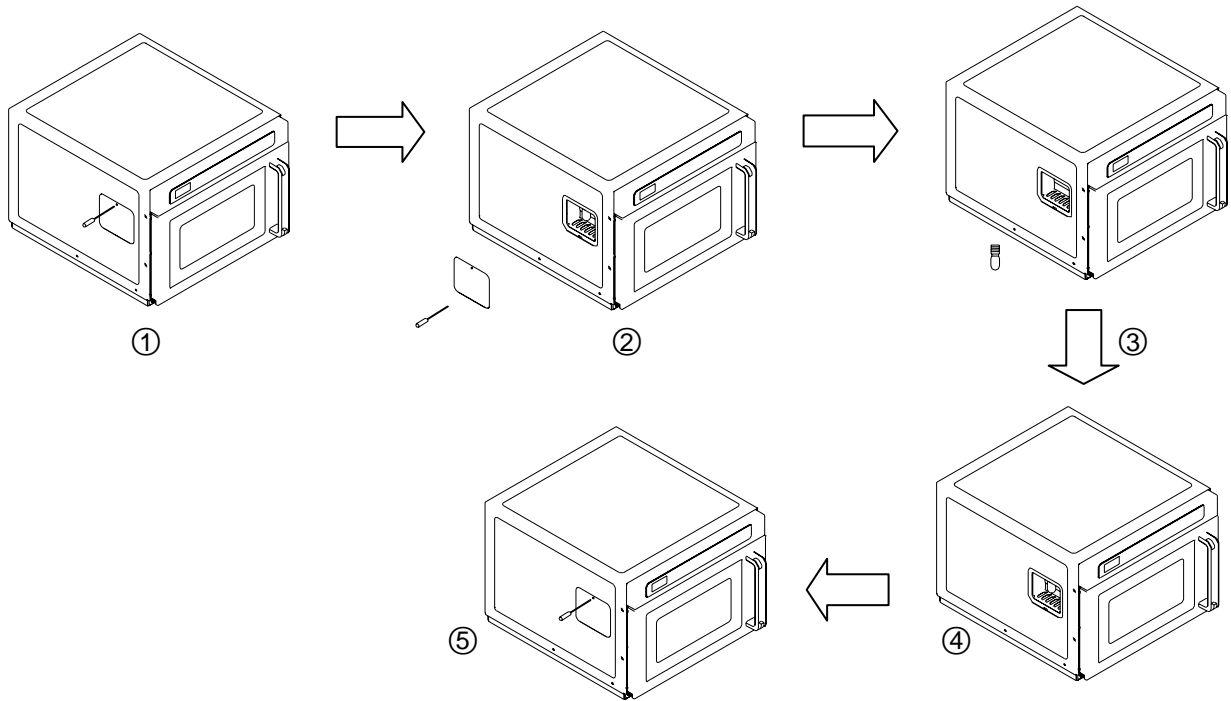
18. Use only thermometers, which are specifically designed for use in microwave ovens.

19. Do not operate any heating or cooking appliance beneath this appliance.

20. This appliance should be serviced only by qualified service personnel, contact nearest authorized service facility for examination, repair, or adjustment.

21. When cleaning surfaces of door and oven that comes together on closing the door, use only mild, nonabrasive soaps, or detergents applied with a sponge or soft cloth.

22.If the oven lamp needed to be replaced, please take the following steps to replace and install.



					说明书 SEE30FY LH-SABCOU (P180M30ASL-YL)				JS1M0609-19845-004	
标记	处数	更改单号	签字	日期						
设计	陈琴	标准化	谭银珠		图样标记	数量	重量	比例		
校对		审定	王守国		S	A		1:1		
审核	王少云								广东格兰仕微波炉电器制造有限公司	
工艺		日期	2013-01-12	共 19 页		第 5 页				

Please take the steps below to replace the oven lamp:

1. Cut off the power and loose the screw of the lamp cover with suitable screwdriver under the safe condition. Please make sure the oven is unplugged to shut off the oven before you take any step.
(lamp type: T22 Power Supply: 120V / 25W)
2. Remove the lamp cover.
3. Turn the lamp in anti-clockwise direction gently to take it off.
4. Turn the new lamp in clockwise direction to install it well.
5. Install the lamp cover and fasten it with screw.
6. If you have any question, please contact the professional to replace the lamp.

INSTALLATION GUIDE

- | | |
|---|--|
| <ol style="list-style-type: none"> 1. Make sure that all the packing materials are removed from the inside of the door. 2. Check the oven for any damage, such as misaligned or bent door, damaged door seals and sealing surface, broken or loose door hinges and latches and dents inside the cavity or on the door. If there is any damage, do not operate the oven but contact qualified service personnel. 3. This microwave oven must be placed on a flat, stable surface to hold its weight and the heaviest food likely to be cooked in the oven. 4. Do not place the oven where heat, moisture, or high humidity are generated, or near combustible materials. | <ol style="list-style-type: none"> 5. For correct operation, the oven must have sufficient airflow. Allow 20cm of space above the oven, 10cm at back and 5cm at both sides. Do not cover or block any openings on the appliance. Do not remove feet on which oven stands. 6. The appliance shall be only used on a countertop over 3 feet above the floor. 7. Make sure that the power supply cord is undamaged and does not run under the oven or over any hot or sharp surface. 8. The socket must be readily accessible so that it can be easily unplugged in an emergency. |
|---|--|

GROUNDING INSTRUCTIONS

This appliance must be grounded. In the event of an electrical short circuit, grounding reduces risk of electric shock by providing an escape wire for the electric current.

WARNING Improper use of the grounding plug can result in a risk of electric shock.

Consult a qualified electrician or serviceman if the grounding instructions are not completely understood, or if doubt exists as to whether the appliance is properly grounded, and either:

					说明书 SEE30FY LH-SABCOU (P180M30ASL-YL)				JS1M0609-19845-004			
标记	处数	更改单号	签字	日期								
设计	陈琴	标准化	谭银珠		图样标记	数量	重量	比例				
校对		审定	王守国		S	A		1:1	广东格兰仕微波炉电器制造有限公司			
审核	王少云											
工艺		日期	2013-01-12		共 19 页		第 6 页					

1) If it is necessary to use an extension cord, use only a 3-wire extension cord that has a 3-blade grounding plug and a 3-slot receptacle that will accept the plug on the appliance. The marked rating of the extension cord shall be equal to or greater than the electrical rating of the appliance, or 2) Do not use an extension cord. If the power supply cord is too short, have a qualified electrician or serviceman install an outlet near the appliance.

Electrical Requirements

The electrical requirements are a 120 volt 60 Hz, AC only, 20 amp. It is recommended that a separate circuit serving only the oven be provided. The oven is equipped with a 3-prong grounding plug. It must be plugged into a wall receptacle that is properly installed and grounded.

Power Supply Cord

1.A short power supply cord is provided to reduce the risks resulting from becoming entangled in or tripping over a longer cord.

2.Longer cord sets or extension cords are available and may be used if care is exercised in their use.

3.If long cord or extension cord is used:

- a) The marked electrical rating of the cord set or extension cord should be at least as great as the electrical rating of the appliance.
- b) The extension cord must be a grounding-type 3-wire cord, and The longer cord should be arranged so that it will not drape over the counter top or table top where it can be pulled on by children or tripped over unintentionally.

Notes:

If you have any questions about the grounding or electrical instructions, consult a qualified electrician or service person.

Neither the manufacturer nor the dealer can accept any liability for damage to the oven or personal injury resulting from failure to observe the electrical connection procedures.

					说明书 SEE30FY LH-SABCOU (P180M30ASL-YL)				JS1M0609-19845-004		
标记	处数	更改单号	签字	日期							
设计	陈琴	标准化	谭银珠	图样标记	数量	重量	比例	广东格兰仕微波炉电器制造有限公司			
校对		审定	王守国	S	A		1:1				
审核	王少云										
工艺		日期	2013-01-12	共 19 页		第 7 页					

COOKING TECHNIQUES

Your microwave makes cooking easier than conventional cooking, provided you keep these considerations in mind:

STIRRING

Stir foods such as casseroles and vegetables while cooking to distribute heat evenly. Food at the outside of the dish absorbs more energy and heats more quickly, so stir from the outside to the center. The oven will turn off when you open the door to stir your food.

ARRANGEMENT

Arrange unevenly shaped foods, such as chicken pieces or chops, with the thicker, meatier parts toward the outside of the turntable where they receive more microwave energy. To prevent overcooking, place delicate areas, such as asparagus tips, toward the center of the turntable.

SHIELDING

Shield food with narrow strips of aluminum foil to prevent overcooking. Areas that need shielding include poultry wing tips, the ends of poultry legs, and corners of square baking dishes. Use only small amounts of aluminum foil. Larger amounts can damage your oven.

TURNING

Turn foods over midway through cooking to expose all parts to microwave energy. This is especially important with large foods such as roasts.

STANDING

Foods cooked in the microwave build up internal heat and continue to cook for a few minutes after heating stops. Let foods stand to complete cooking, especially foods such as cakes and whole vegetables. Roasts need this time to complete cooking in the center without overcooking the outer areas. All liquids, such as soup or hot chocolate, should be shaken or stirred when cooking is complete. Let liquids stand a moment before serving. When heating baby food, stir well at removal and test the temperature before serving.

ADDING MOISTURE

Microwave energy is attracted to water molecules. Food that is uneven in moisture content should be covered or allowed to stand so that the heat disperses evenly. Add a small amount of water to dry food to help it cook.

					说明书 (P180M30ASL-YL)				JS1M0609-19845-004					
标记	处数	更改单号	签字	日期										
设计	陈琴	标准化	谭银珠									图样标记	数量	重量
校对		审定	王守国		S	A		1:1						
审核	王少云													
工艺		日期	2013-01-12		共 19 页		第 8 页							

UTENSILS GUIDE

This section lists which utensils can be used in the microwave, which ones have limited use for short periods, and which ones should not be used in the microwave.



RECOMMENDED

Microwave browning dish — Use to brown the exterior of small items such as steaks, chops, or pancakes. Follow the directions provided with your browning dish.

Microwaveable plastic wrap — Use to retain steam. Leave a small opening for some steam to escape and avoid placing it directly on the food.

Paper towels and napkins — Use for short-term heating and covering; these absorb excess moisture and prevent spattering. Do not use recycled paper towels, which may contain metal and could ignite.

Glass and glass-ceramic bowls and dishes — Use for heating or cooking.

Paper plates and cups — Use for short-term heating at low temperatures. Do not use recycled paper, which may contain metal and could ignite.

Wax paper — Use as a cover to prevent spattering.

Thermometers — Use only those labeled "Microwave Safe" and follow all directions. Check the food in several places. Conventional thermometers may be used on microwave food once the food has been removed from the oven.

▲ LIMITED USE

Aluminum foil — Use narrow strips of foil to prevent overcooking of exposed areas. Using too much foil can damage your oven, so be careful. You should keep distance of 1 inch (2.54cm) between aluminum foil and cavity.

Ceramic, porcelain, and stoneware— Use these if they are labeled "Microwave Safe". If they are not labeled, test them to make sure they can be used safely.

Plastic — Use only if labeled "Microwave Safe". Other plastics can melt.



Not Recommended

Glass jars and bottles — Regular glass is too thin to be used in a microwave. It can shatter and cause damage and injury.

Paper bags — These are a fire hazard, except for popcorn bags that are designed for microwave use.

Styrofoam plates and cups — These can melt and leave an unhealthy residue on food.

Plastic storage and food containers — Containers such as margarine tubs can melt in the microwave.

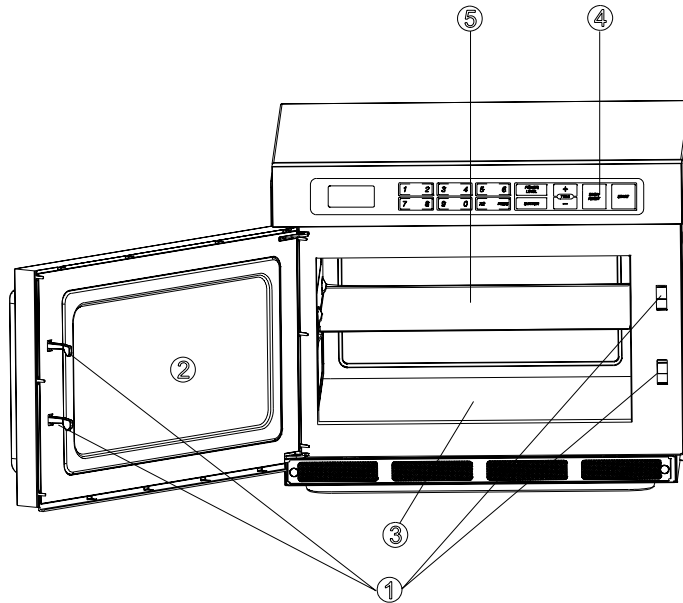
Metal utensils — These can damage your oven. Remove all metal before cooking.

Note:

Should you wish to check if a dish is safe for microwaving, place the empty dish in the oven and microwave on HIGH for 30 seconds. A dish which becomes very hot should not be used.

					说明书 SEE30FY LH-SABCOU (P180M30ASL-YL)				JS1M0609-19845-004			
标记	处数	更改单号	签字	日期								
设计	陈 琴	标准化	谭银珠		图 样 标 记	数量	重量	比例	广东格兰仕微波炉电器制造有限公司			
校对		审定	王守国		S A			1:1				
审核	王少云											
工艺		日期	2013-01-12		共 19 页	第 9 页						

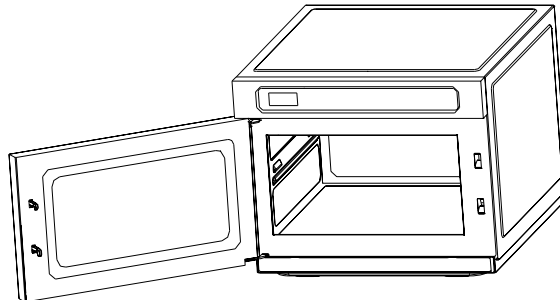
PART NAMES



- 1. Door Safety Lock System
- 2. Oven Window
- 3. Cavity Floor
- 4. Control Panel
- 5. Ceramic Board

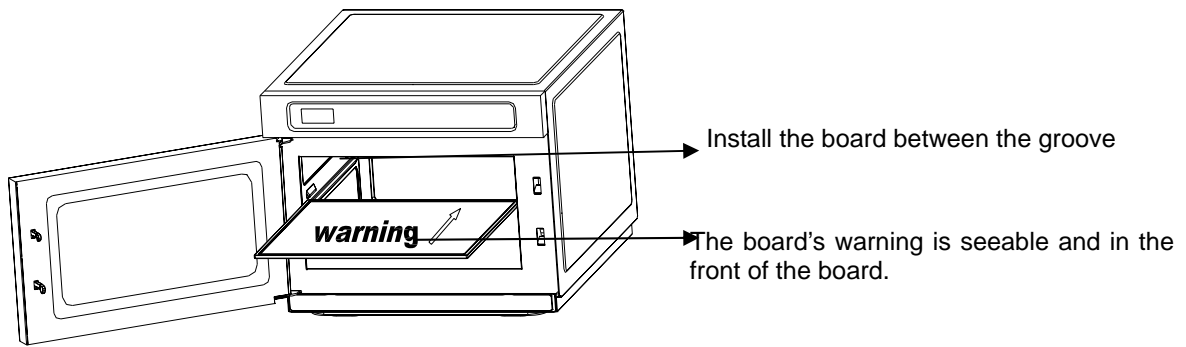
The ceramic board is removable, you can install or remove it following the steps below :
To install the ceramic board :

1. Cut off the power, install the ceramic board until the cavity is cool down to prevent scald.

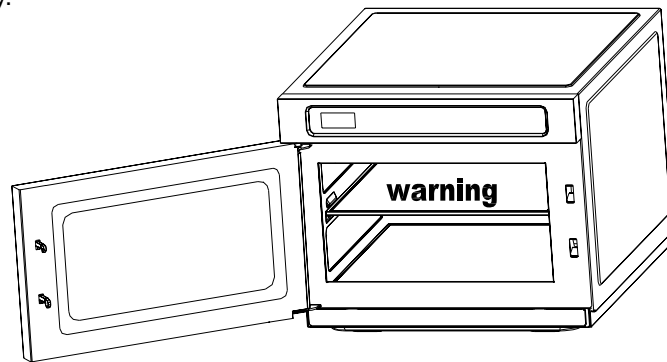


					说明书 SEE30FY LH-SABCOU (P180M30ASL-YL)				JS1M0609-19845-004	
标记	处数	更改单号	签字	日期						
设计	陈 琴	标准化	谭银珠		图 样 标 记	数 量	重 量	比 例		
校对		审 定	王 守 国		S	A		1:1	广东格兰仕微波炉电器制造有限公司	
审核	王少云									
工艺		日期	2013-01-12		共 19 页	第 10 页				

2. Hold the ceramic board with both hands and push it along the groove gently, or it may cause the board damaged. Please make sure the board is installed between the groove, not above it. And the board's warning is seeable and in the front of the board.

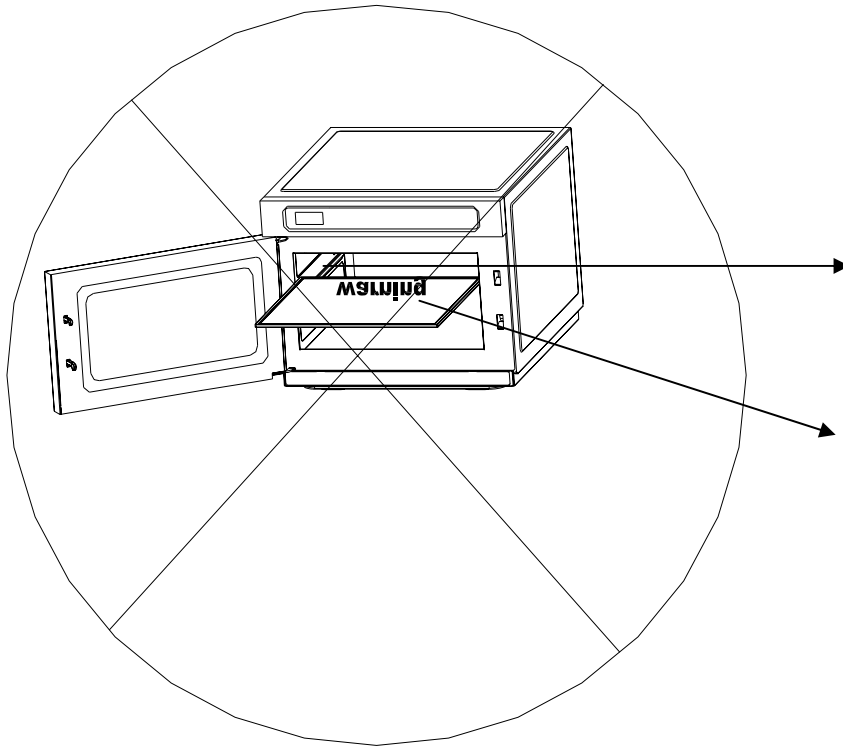


3. Please make sure the ceramic board is push to the end of the cavity. If you do not install it well, the door cannot be close normally.



					说明书 SEE30FYLH-SABCOU (P180M30ASL-YL)				JS1M0609-19845-004		
标记	处数	更改单号	签字	日期							
设计	陈琴	标准化	谭银珠	图样标记	数量	重量	比例	广东格兰仕微波炉电器制造有限公司			
校对		审定	王守国	S	A		1:1				
审核	王少云										
工艺		日期	2013-01-12	共 19 页	第 11 页						

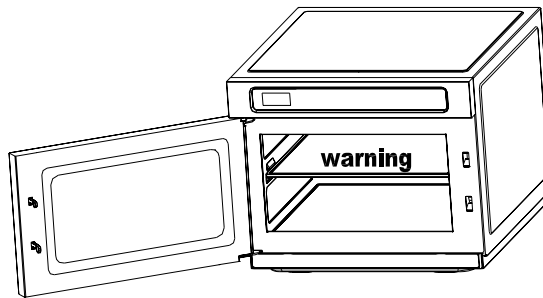
Do not install the ceramic board like this :



1. Never install the board above the groove.
2. Never place the board with the warning in the back of it.

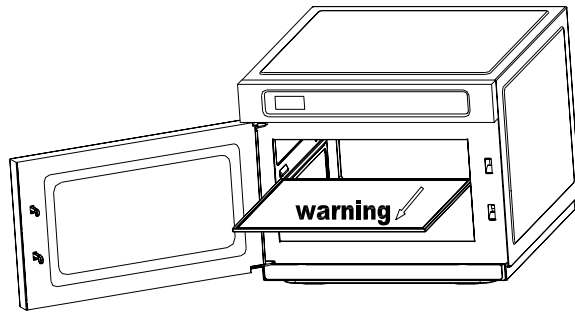
To remove the ceramic board from the cavity :

1. Cut off the power, remove the ceramic board until the cavity and the board are cool down to prevent scald.

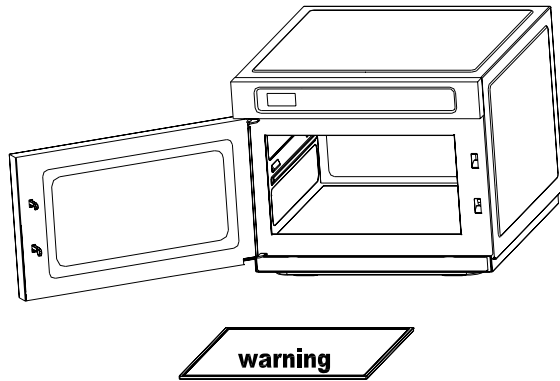


					说明书 SEE30FYLH-SABCOU (P180M30ASL-YL)				JS1M0609-19845-004		
标记	处数	更改单号	签字	日期							
设计	陈琴	标准化	谭银珠	图样标记	数量	重量	比例	广东格兰仕微波炉电器制造有限公司			
校对		审定	王守国	S	A		1:1				
审核	王少云										
工艺		日期	2013-01-12	共 19 页	第 12 页						

2. Pull the ceramic board along the groove from the cavity gently, do not overexert or shake it to prevent damaged.

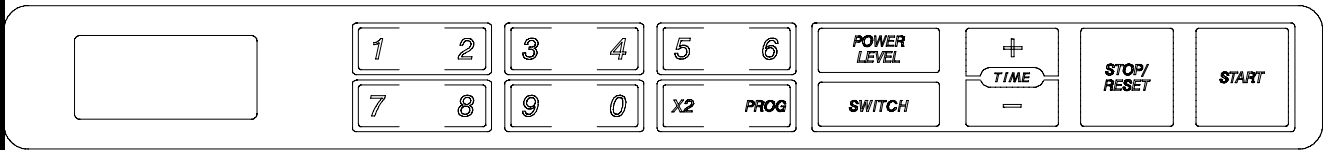


3. Hold the ceramic board gently for it is breakable and should be place well.



					说明书 SEE30FYLH-SABCOU (P180M30ASL-YL)				JS1M0609-19845-004		
标记	处数	更改单号	签字	日期							
设计	陈琴	标准化	谭银珠		图样标记	数量	重量	比例	广东格兰仕微波炉电器制造有限公司		
校对		审定	王守国					1:1			
审核	王少云				S	A					
工艺		日期	2013-01-12		共 19 页		第 13 页				

CONTROL PANEL



Display Screen

Cooking time, power, indicators and present time are displayed.

Number Pads

Press these button to set the cooking time, to set a cooking program etc.

X2

Press to store a cooking program.

Prog

Press to store a multi-stage cooking program. It is also used to set child lock.

Power Level

Press to select a microwave cooking power.

Switch

Press to switch the oven to cook under single tube or double tubes cooking mode.

Time +/-

Press to adjust the cooking time.

Stop/Reset

Press this button stop or cancel a cooking program.

Start

Press to start cooking program.

					说明书 SEE30FY LH-SABCOU (P180M30ASL-YL)				JS1M0609-19845-004		
标记	处数	更改单号	签字	日期							
设计	陈琴	标准化	谭银珠	图样标记	数量	重量	比例				
校对		审定	王守国	S	A		1:1	广东格兰仕微波炉电器制造有限公司			
审核	王少云										
工艺		日期	2013-01-12	共 19 页		第 14 页					

HOW TO SET THE OVEN CONTROLS

MICROWAVE COOKING

Microwave cooking allows you to customize cooking power and time. First, select a power level by pressing the Power Level button a number of times (see the table below). Maximum cooking time is 99 minutes and 99 seconds.

Suppose you want to cook for 5 minute at 80% power level.

1. Open the door and place food in the oven, close it.
2. Press Power Level button a number of times till the screen show the intended power.

Press Power Level button	Power Level
Once	100% (HI)
Twice	80% (MED)
Thrice	30% (DEF)

3. Use the number padal to enter cooking time until the correct cooking time (5:00) is displayed.
4. Press Start button to start.

NOTE:

After the cooking time ends, the system will beep once and 0 is displayed. Before starting another cooking session, press Stop/Reset pad to clear the display and reset the system.

SAVE A MULTI-STAGE COOKING TO A NUMBER KEY

For frequently used cooking program, you can save it to a number key and conveniently activate it by touching the number key and then START pad.

Each of the number keys is pre-set with a cooking program. In waiting mode, touch any of the ten number pads, you are selecting a cooking program, then press START pad to start the preset program.

The following are default settings for each of the number keys

Number/Memory Pads	1	2	3	4	5	6	7	8	9	0
Preset Cooking Time	:10	:20	:30	:45	1:00	1:30	2:00	2:30	3:00	3:30

The user is free to reset the cooking program stored under each of the ten number keys anytime. In order to set a cooking program, which may contain up to 3 stages consecutive cooking periods with different power levels, and to designate a number key to this program, see the example bellow:

					说明书 SEE30FY LH-SABCOU (P180M30ASL-YL)				JS1M0609-19845-004					
标记	处数	更改单号	签字	日期					图样标记					
设计	陈琴	标准化	谭银珠									S A		
校对		审定	王守国		共 19 页			广东格兰仕微波炉电器制造有限公司						
审核	王少云										第 15 页			
工艺		日期	2013-01-12											

To set medium power cooking for 8 min. and save it to number pad 5:

1. Open the door and place food in the oven, close it.
2. Touch Prog once.
3. Press number pad 5.
4. Press Power Level twice to select MED.
5. Touch number pads 8, 0, 0.
6. Press Prog to save.

NOTE : When the program has been saved, you can press START to start cooking or you can also press STOP/RESET pad to cancel.

You can set a two or three stages cooking program by repeating the steps 4 and 5 once or twice.

Suppose you want to set a multi-stage cooking program to number pad 3.

First stage : 5 minutes of DEF microwave power cooking ;

Second stage : 3 minutes of HI microwave power cooking ;

Third stage : 1 minutes of MED microwave power cooking.

Step :

1. Open the door and place food in the oven, close it.
2. Touch Prog once.
3. Press number pad 3.
4. Press Power Level three times and press number pad to enter the cooking time.
5. Press Power Level once and press number pad to enter the cooking time.
6. Press Power Level twice and press number pad to enter the cooking time.
7. Press Prog to save.

Note:

If you want the oven to start immediately after you touching any of the number keys instead of after you touching the Start pad, press and hold down Stop/Reset for 5 sec until "P L" appears on display; now you don't need to press Start pad after selecting a cooking program by touching any of the number keys.

If you want to cancel the auto-number start setting, you can press and hold down Stop/Reset for 5 sec until "P PROG" appears on display.

HOW TO USE THE X2 PAD

More cooking programs can be stored under the number keys by using the X2 function.

In waiting mode, press X2, any of the number keys, and the Start pad, you can recall a preset cooking program as follows:

Number/Memory Pads	1	2	3	4	5	6	7	8	9	0
Preset Cooking Time	:20	:40	1:00	1:30	2:00	3:00	4:00	5:00	6:00	7:00

X2 function can only program one stage cooking. After setting is finished, press Stop/Reset to return to

					<p>说明书 SEE30FY LH-SABCOU (P180M30ASL-YL)</p>				JS1M0609-19845-004	
标记	处数	更改单号	签字	日期						
设计	陈琴	标准化	谭银珠		图样标记	数量	重量	比例		
校对		审定	王守国		S	A		1:1		
审核	王少云								广东格兰仕微波炉电器制造有限公司	
工艺		日期	2013-01-12		共 19 页		第 16 页			

waiting mode. The oven will start after you touching X2, any of the number keys and then the Start pad. For example, to use the X2 function, and save a program of full power and 3 minutes cooking to number pad 8.

1. Open the door and place food in the oven, close it.
2. Touch Prog once.
3. Touch X2 pad once.
4. Press number pad 8.
5. Press Power Level once.
6. Touch number pads 3, 0, 0.
7. Press Prog to save.

NOTE : When the program has benn saved, you can press START to start cooking or you can also press Stop/Reset pad to cancel.

If you want the oven to start immediately after you touching any of the number keys instead of after you touching the Start pad, press and hold down Stop/Reset for 5 sec until "P L" appears on display; now you don't need to press Start pad after selecting a cooking program by touching any of the number keys.

If you want to cancel the auto-number start setting, you can press and hold down Stop/Reset for 5 sec until "P PROG" appears on display.

COUNT OF OPERATIONS

You can read the count of how many times the oven has been used. To do this,

1. In waiting mode, press and hold down Stop/Reset.
2. Touch Power Level pad. The number on display shows how many times the oven has been used.

This function is for the user to analyze the usage of the oven and the traffic flow at a particular location where the oven is being used commercially.

SWITCH

The oven can use single tube or double tubes to cook. For single tube mode, you can save power, while for double tubes, you can use less time to cook. The default setting for the oven is double tubes, however, you can press Switch to change. Select it before setting a cooking program.

ADJUST THE COOKING TIME

During cooking, you can press +/- to adjust the cooking time. Each press to adjust 20 seconds. The maximum time you can set is 1H :99 seconds. For the preset program, you cannot adjust the cooking time by pressing +/-.

CHILD PROOF LOCK

In waiting mode, press and hold Prog for 5 seconds. The oven is locked.

To release child lock,

Press and hold Prog for 5 seconds, the oven goes to normal.

					说明书 SEE30FY LH-SABCOU (P180M30ASL-YL)				JS1M0609-19845-004		
标记	处数	更改单号	签字	日期							
设计	陈 琴	标准化	谭银珠	图 样 标 记	数量	重量	比例	广东格兰仕微波炉电器制造有限公司			
校对		审 定	王守国	S	A		1:1				
审核	王少云										
工艺		日期	2013-01-12	共 19 页		第 17 页					

RETURN TO FACTORY SETTING

If you want the oven return to the default factory setting, you can press Start pad and plug in the oven untill "00 : 00" shows on the screen, then press the following pads one by one : "1","2","3","4","5","6","7","8","9","0","Power Level","X2","Prog","Switch","+","-","Stop/Reset","Start". And the screen will show "00 :18" ,open and close the door, then open it again. Beep will be heart to signal to oven is back to factory setting.

					<p style="text-align: center;">说明书 SEE30FYLH-SABCOU (P180M30ASL-YL)</p>				JS1M0609-19845-004				
标记	处数	更改单号	签字	日期									
设计	陈琴	标准化	谭银珠						图样标记	数量	重量	比例	
校对		审定	王守国		S	A			1:1				
审核	王少云												
工艺		日期	2013-01-12		共 19 页		第 18 页		广东格兰仕微波炉电器制造有限公司				

CLEANING AND CARE

1. Turn off the oven and remove the power plug from the wall socket before cleaning.
2. Keep the inside of the oven clean. When food splatters or spilled liquids adhere to oven walls, wipe with a damp cloth. Mild detergent may be used if the oven gets very dirty. Avoid the use of spray and other harsh cleaners as they may stain, streak or dull the door surface.
3. The outside surfaces should be cleaned with a damp cloth. To prevent damage to the operating parts inside the oven, water should not be allowed to seep into the ventilation openings.
4. Wipe the door and window on both sides, the door seals and adjacent parts frequently with a damp cloth to remove any spills or spatters. Do not use abrasive cleaner.
5. Do not allow the control panel to become wet. Clean with a soft, damp cloth. When cleaning the control panel, leave oven door open to prevent oven from accidentally turning on.
6. If steam accumulates inside or around the outside of the oven door, wipe with a soft cloth. This may occur when the microwave oven is operated under high humidity condition. And it is normal.
7. It is occasionally necessary to remove the glass tray for cleaning. Wash the tray in warm sudsy water or in a dishwasher.
8. The oven floor should be cleaned regularly to avoid excessive noise. Simply wipe the bottom surface of the oven with mild detergent.
9. Remove odors from your oven by combining a cup of water with the juice and skin of one lemon in a deep microwaveable bowl, microwave for 5 minutes. Wipe thoroughly and dry with a soft cloth.
10. When it becomes necessary to replace the oven light, please consult a dealer to have it replaced.
11. The oven should be cleaned regularly and any food deposits removed. Failure to maintain the oven in a clean condition could lead to deterioration of the surface that could adversely affect the life of the appliance and possibly result in a hazardous situation.
12. Please do not dispose this appliance into the domestic rubbish bin; it should be disposed to the particular disposal center provided by the municipalities.

					说明书 SEE30FY LH-SABCOU (P180M30ASL-YL)				JS1M0609-19845-004		
标记	处数	更改单号	签字	日期							
设计	陈琴	标准化	谭银珠	图样标记	数量	重量	比例	广东格兰仕微波炉电器制造有限公司			
校对		审定	王守国	S	A		1:1				
审核	王少云										
工艺		日期	2013-01-12	共 19 页		第 19 页					