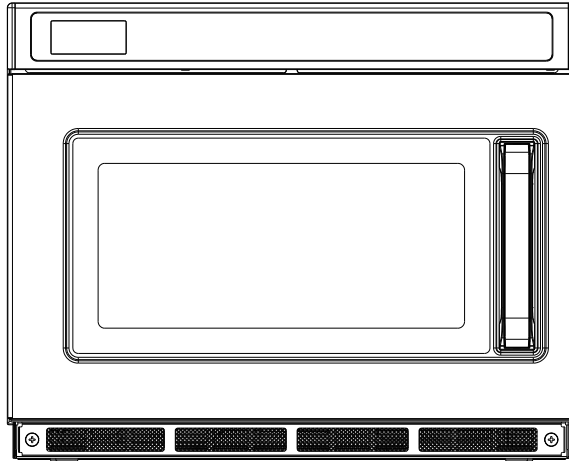


Microwave Oven Instructions



Model: P180M18ASL-A0

Please read these instructions carefully before installing and operating the oven.

PRECAUTIONS TO AVOID POSSIBLE EXPOSURE TO EXCESSIVE MICROWAVE ENERGY

1. Do not attempt to operate this oven with the door open since open-door operation can result in harmful exposure to microwave energy. It is important not to defeat or tamper with the safety interlocks.
2. Do not place any object between the oven front face and the door or allow soil or cleaner residue to accumulate on sealing surfaces.
3. Do not operate the oven if it is damaged. It is very important that the oven door close properly and that there is no damage to the
 - a) Door (including any bent),
 - b) Hinges and latches (broken or loosened),
 - c) Door seals and sealing surfaces.
4. The oven should not be adjusted or repaired by anyone except qualified service personnel.

Content

PRECAUTIONS TO AVOID POSSIBLE EXPOSURE TO EXCESSIVE MICROWAVE ENERGY	1
IMPORTANT SAFETY INSTRUCTIONS	2
GROUNDING INSTRUCTIONS	4
Installation Guide	4
Cooking Utensils Guide	6
Specifications.....	7
Product Diagram	7
Control Panel	8
Digital Display Action Indicators	8
Operation Instructions.....	9
Microwave cooking	9
X2 Function	9
Weight unit setting	10
Power saving mode.....	10
Child lock	10
Multi-stage cooking	10
Setting memory function	10
Auto Cook.....	12
Filter cleaning	13
Splatter shield exhaust window frame cleaning.....	14
Failure diagnose.....	14
Cleaning and Care	15

IMPORTANT SAFETY INSTRUCTIONS

WARNING!--To reduce the risk of burns, electric shock, fire, injury to persons or exposure to excessive microwave energy:

1. Read all instructions before using the appliance.
2. Read and follow the specific "PRECAUTIONS TO AVOID POSSIBLE EXPOSURE TO EXCESSIVE MICROWAVE ENERGY" on page 1.
3. This appliance must be grounded. Connect only to properly grounded outlet. See "GROUNDING INSTRUCTIONS" on page 4.
4. Install or locate this appliance only in accordance with the provided installation instructions.
5. Do not operate the oven when empty.
6. Some products such as whole eggs and sealed containers -for example, closed glass jars- are able to explode and should not be heated in this oven.
7. Use this appliance only for its intended use as described in this manual. Do not use corrosive chemicals or vapors in this appliance. This type of oven is specifically designed to heat, cook, or dry food. It is not designed for industrial or laboratory use.
8. As with any appliance, close supervision is necessary when used by children.
9. To reduce the risk of fire in the oven cavity:
 - a) Do not overcook food. Carefully attend appliance when paper, plastic, or other combustible materials are placed inside the oven to facilitate cooking.
 - b) Remove wire twist-ties from paper or plastic bags before placing bag in oven.
 - c) If materials inside the oven should ignite, keep oven door closed, turn oven off, and disconnect the power cord or shut off power at the fuse or circuit breaker panel.
 - d) Do not use the cavity for storage purposes. Do not leave paper products, cooking utensils or food in the cavity when not in use.
10. Liquids, such as water, coffee, or tea are able to be overheated beyond the boiling point without appearing to be boiling due to surface tension of the liquid. Visible bubbling or boiling when the container is removed from the microwave oven is not always present. THIS COULD RESULT IN VERY HOT LIQUIDS SUDDENLY BOILING OVER WHEN A SPOON OR OTHER UTENSIL IS INSERTED INTO THE LIQUID. To reduce the risk of injury to person:
 - a) Do not overheat the liquid.
 - b) Stir the liquid both before and halfway through heating it.
 - c) Do not use straight-sided containers with narrow necks.
 - d) After heating, allow the container to stand in the microwave oven for a short time before removing the container.
 - e) Use extreme care when inserting a spoon or other utensil into the container.

11. Do not heat oil or fat for deep-frying. It is difficult to control the temperature of oil in microwave oven.
12. Do not cover or block any openings on the appliance.
13. Do not store or use this appliance outdoors. Do not use this product near water, for example, near a kitchen sink, in a wet basement, near a swimming pool, or similar locations.
14. Do not operate this appliance if it has a damaged cord or a plug, if it is not working properly or if it has been damaged or dropped.
15. Do not immerse cord or plug in water. Keep cord away from heated surface. Do not let cord hang over edge of table or counter.
16. This appliance should be serviced only by qualified service personnel, contact nearest authorized service facility for examination, repair, or adjustment.
17. When cleaning surfaces of door and oven that comes together on closing the door, use only mild, nonabrasive soaps, or detergents applied with a sponge or soft cloth.
18. The microwave oven is for commercial use.
19. This equipment has been tested and found to comply with Part 18 of the FCC Rules. Operation is subject to the following two conditions: (1) This device may not cause harmful interference, and (2) this device must accept any interference received, including interference that may cause undesired operation.
CAUTION: Changes or modifications not expressly approved by the party responsible for compliance could void the user's authority to operate the product.
20. This equipment generates, uses and can radiate radio frequency energy and, if not installed and used in accordance with the instructions, may cause harmful interference to radio communications. However, there is no guarantee that interference will not occur in a particular installation. If this equipment does cause harmful interference to radio or television reception, which can be determined by turning the equipment off and on, the user is encouraged to try to correct the interference by one or more of the following measures:
 - Reorient or relocate the receiving antenna.
 - Increase the separation between the equipment and receiver.
 - Connect the equipment into an outlet on a circuit different from that to which the receiver is connected.
 - Consult the dealer or an experienced radio/TV technician for help.

SAVE THESE INSTRUCTIONS

GROUNDING INSTRUCTIONS

This appliance must be grounded. In the event of an electrical short circuit, grounding reduces risk of electric shock by providing an escape wire for the electric current. This appliance is equipped with a cord having a grounding wire with a grounding plug. The plug must be plugged into an outlet that is properly installed and grounded.

WARNING!-- Improper use of the grounding plug can result in a risk of electric shock.

Consult a qualified electrician or serviceman if the grounding instructions are not completely understood, or if doubt exists as to whether the appliance is properly grounded, and if it is necessary to use an extension cord, use only a 3-wire extension cord that has a 3-blade grounding plug and a 3-slot receptacle that will accept the plug on the appliance. The marked rating of the extension cord shall be equal to or greater than the electrical rating of the appliance.

Electrical Requirements

The electrical requirements are a 208-240 volt 60 Hz, AC only, 20 amp. It is recommended that a separate circuit serving only the oven be provided. The oven is equipped with a 3-prong grounding plug. It must be plugged into a wall outlet properly installed and grounded.

Power Cord

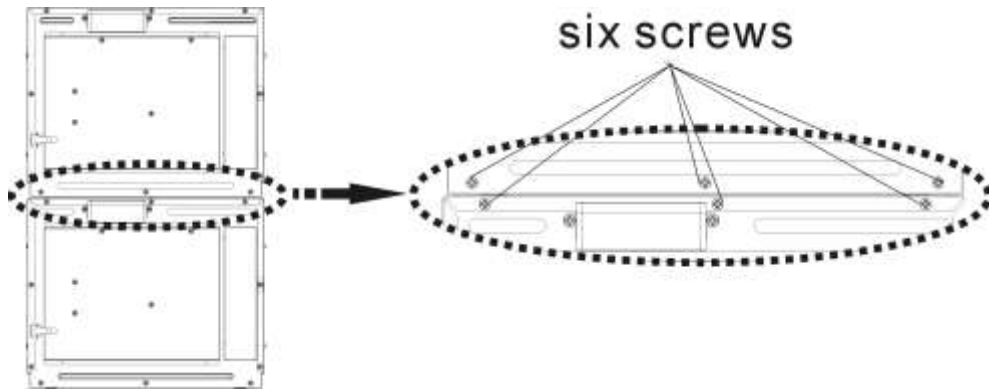
1. A short power supply cord is provided to reduce the risks resulting from becoming entangled in or tripping over a longer cord.
2. Longer cord sets or extension cords are available and may be used if care is exercised in their use.
3. If long cord or extension cord is used:
 - a) The marked electrical rating of the cord set or extension cord should be at least as great as the electrical rating of the appliance.
 - b) The extension cord must be a grounding-type 3-wire cord, and The longer cord should be arranged so that it will not drape over the counter top or table top where it can be pulled on by children or tripped over unintentionally.

Installation Guide

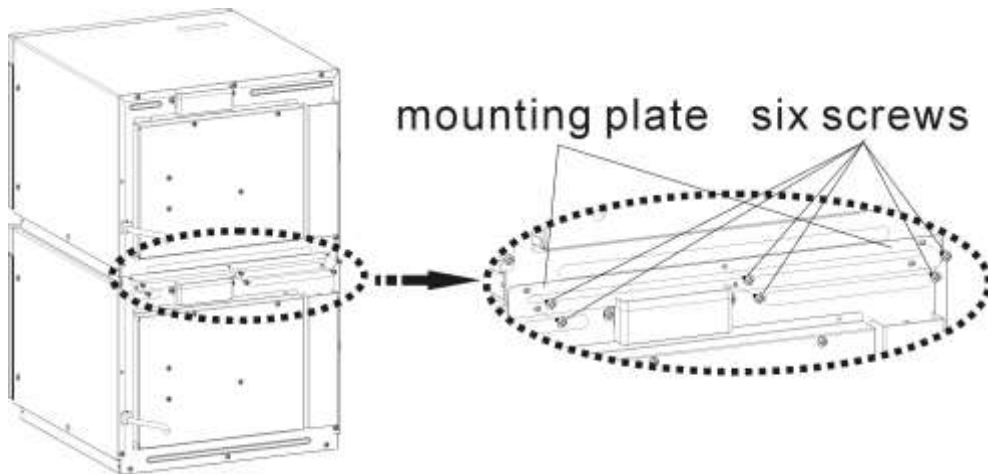
1. Make sure that all the packing materials are removed from the inside of the door.
2. This microwave oven must be placed on a flat.
3. For correct operation, the oven must have sufficient air flow. Allow 20cm of space above the oven, 10cm at back and 5cm at both sides. Do not cover or block any openings on the appliance. Do not remove feet on which oven stands.
4. Do not operate the oven without glass tray, roller support, and shaft in their proper positions.
5. Make sure that the power cord is undamaged and does not run under the oven or over any hot or sharp surface.
6. The socket must be readily accessible so the microwave oven can be easily unplugged in an emergency.
7. Stacking and installation of the microwave oven. The maximum height of stacking shall be two units.

Specific stacking installation is as follows:

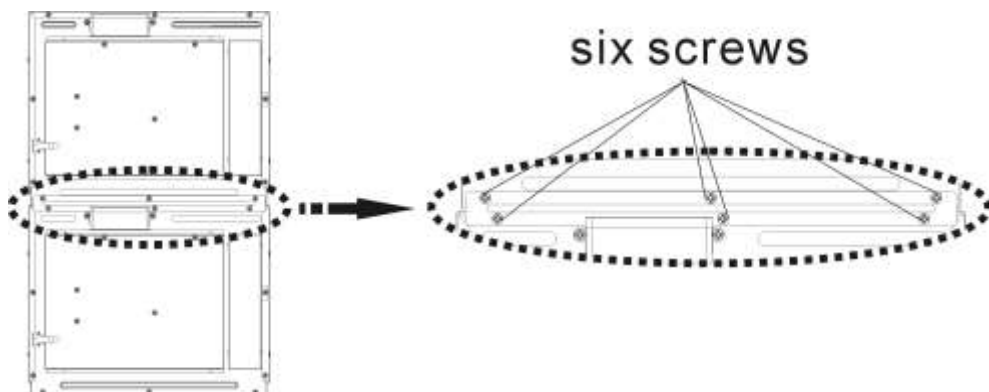
a) Remove the 6 screws indicated in the figure below.



b) Attach the mounting plate between the two machines and align the corresponding screw holes.



c) Install the 6 screws back to their original positions and tighten the screws



Cooking Utensils Guide

This section lists which utensils can be used in this microwave, which have limited use for short periods, and which should not be used in this microwave.

RECOMMENDED

Microwave browning dish — Use to brown the exterior of small items such as steaks, chops, or pancakes. Follow the directions provided with your browning dish.

Microwaveable plastic wrap — Use to retain steam. Leave a small opening for some steam to escape and avoid placing it directly on the food.

Paper towels and napkins — Use for short-term heating and covering; these absorb excess moisture and prevent spattering. Do not use recycled paper towels, which may contain metal and could ignite.

Glass and glass-ceramic bowls and dishes — Use for heating or cooking.

Paper plates and cups — Use for short-term heating at low temperatures. Do not use recycled paper, which may contain metal and could ignite.

Wax paper — Use as a cover to prevent spattering.

Thermometers — Use only those labeled "Microwave Safe" and follow all directions. Check the food in several places. Conventional thermometers may be used on microwave food once the food has been removed from the oven.

LIMITED USE

Aluminum foil — Use narrow strips of foil to prevent overcooking of exposed areas. Using too much foil can damage your oven, so be careful. You should keep distance of 1 inch (2.54cm) between aluminum foil and cavity.

Ceramic, porcelain, and stoneware— Use these if they are labeled "Microwave Safe". If they are not labeled, test them to make sure they can be used safely.

Plastic — Use only if labeled "Microwave Safe". Other plastics can melt.

NOT RECOMMENDED

Glass jars and bottles — Regular glass is too thin to be used in a microwave. It can shatter and cause damage and injury.

Paper bags — These are a fire hazard, except for popcorn bags that are designed for microwave use.

Styrofoam plates and cups — These can melt and leave an unhealthy residue on food.

Plastic storage and food containers — Containers such as margarine tubs can melt in the microwave.

Metal utensils — These can damage your oven. Remove all metal before cooking.

Note:

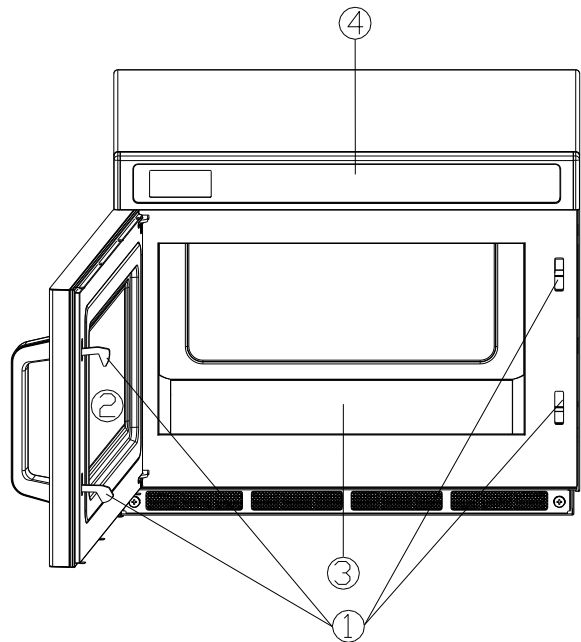
Should you wish to check if a dish is safe for microwaving, place the empty dish in the oven and microwave on HIGH for 30 seconds. A dish which becomes very hot should not be used.

Specifications

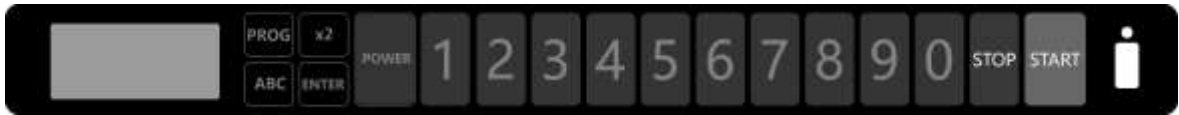
Power Consumption	208-240V/60Hz, 2800W(microwave)
Output	1800W
Operation Frequency	2450MHz
Outside Dimensions(H x W x D)	13 ⁵ / ₁₆ x 16 ⁹ / ₁₆ x 20 ⁴ / ₄ in.
Oven Capacity	0.6cu.ft.
Net Weight	Approx.40.1lbs

Product Diagram

1. Door Safety Lock System
2. Oven Window
3. Cavity Floor
4. Control Panel



Control Panel



- **DISPLAY**

Cooking time, power and indicators are displayed.

- **PROG**

Use to store program, memory lock, lamp , etc.

- **X2**

Use to double the cooking time.

- **ENTER**

Use to determine your operation.

- **POWER**

Press to set power level.

- **NUMBER PADS (0-9)**

Use to set time or select menu.

- **STOP**

Press once to temporarily stop cooking, or twice to cancel cooking altogether.

It is also used to set child lock.

- **START**

Press to start the cooking program.

Digital Display Action Indicators



① X2 indicating cooking in X2 feature.

② PROG indicating programming a cooking

③ Numbers indicating the cooking stage.

④ Indicating power level used in cooking.

Operation Instructions

- When the oven first plugged in, the display shows all for 2 seconds and "DE" beep will sound, then returns to standby mode and display "0".
- In the process of setting, the system will return to standby mode if there is not any operation within 20 seconds.
- During cooking, if press STOP button once or open the door, the program will be paused, close the oven door and then press START button to resume, but if press STOP button once at pausing state, the program will be canceled.
- After cooking end, the screen will display End, and "DE" beep will sound every two minutes until user press STOP button or open the door.
- The electronically controlling system of the microwave oven has the feature of cooling. As for any cooking mode, after cooking end, the oven fan will work about 30 seconds automatically to cool the oven for prolonging the life of the oven.

MICROWAVE COOKING

1. In standby mode, press POWER button repeatedly to select power level.
2. Use number buttons to set cooking time. The longest time is 99 minutes and 99 seconds (Up to 15 minutes at 100% power level).
3. Press START to confirm.

Press POWER button to select power level:

Press POWER button	Power (Display)	Press POWER button	Power (Display)
Once	100% (P10)	7 times	40% (P04)
Twice	90% (P09)	8 times	30% (P03)
3 times	80% (P08)	9 times	20% (P02)
4 times	70% (P07)	10 times	10% (P01)
5 times	60% (P06)	11 times	0% (P00)
6 times	50% (P05)		

NOTE: During cooking, you can press POWER button to check cooking power level.

X2 FUNCTION

This function can double the cooking time.

1. In standby mode, press X2 button once.
2. Use number buttons to select menu code.
3. Press ENTER button to confirm.
4. Press START button to start.

NOTE: After using the function, if cooking power is P10 and the cooking program total time is more than 15 minutes, the cooking program defaults to the single stage cooking program which is 15 minutes cooking time and P10 power level. For others cooking power, after using the function, the longest single stage cooking time is 99 minutes and 99 seconds, but if the cooking time is more than 99 minutes and 99 seconds, the cooking will be run by 99 minutes and 99 seconds by default.

WEIGHT UNIT SETTING

There are three kind of unit to be selected ("LB", "Kg" and "OZ").

1. In standby mode, press ABC button repeatedly to select weight unit.
2. Use number buttons to set menu code.
3. Press ENTER button to confirm.
4. Press START button to start.

NOTE: Each weight unit corresponds to 300 menus of the total menu, LB (001 to 300), Kg (301 to 600), OZ (601 to 900). After selecting the weight unit, you only need to input numbers (001 to 300).

POWER SAVING MODE

In standby mode, if there is no operation within 1 minute, the oven will enter to power saving mode. The display screen will turn off. The system will return to standby mode by pressing any button, the display screen will light up and show "0".

CHILD LOCK

The lock prevents unsupervised operation by children.

- To set the child proof lock: In standby mode, press and hold STOP button for 3 seconds, the oven will auto enter child lock mode and the lock indicator light will turn on. In the lock state, all buttons are disabled.
- To cancel the child proof lock: In child lock mode, press and hold STOP button for 3 seconds, the system will return to standby mode the display will show "0".

MULTI-STAGE COOKING

Your oven can be programmed for up to 3 automatic cooking sequences.

Suppose you want to set the following cooking program.

Microwave-cooking



Microwave-cooking (with lower power level)

1. Set the first microwave cooking program. Do not press START button.
2. Set the second microwave program.
3. Press START/QUICK START button to start.

NOTE: In setting or running the second or third stage of cooking, the display shows " **2** " or " **3** "

SETTING MEMORY FUNCTION

Lock memory setting function:

1. In standby mode, press and hold PROG button until the the display shows "PROG", " **1** ", " **2** " and " **3** ".
2. Press and hold number button 1 more than 3 seconds, "DE" beep will sound and the display shows "PL", then the memory can't be programmed. Press number button 1 more than 3 seconds again, the display shows "P", then the memory can be programmed.

NOTE: Memory functions include menu A/B/C cooking parameters, lamp mode, buzzer scale, power saving mode, factory reset and other parameters and save them.

Set lamp:

1. In standby mode, press and hold PROG button until the the display shows "PROG", " **1** ", " **2** " and " **3** ".
2. Press and hold number button 2 more than 3 seconds, and repeatedly the operation to cycle select "LA1"and "LA2".

Code	Function
LA1	Open the door, lamp is on. Close the door, lamp is off
LA2	Open the door, lamp is off. Close the door, lamp is on

NOTE: After setting up, press STOP button or no operation within 20 seconds, the system will return to standby mode and the display will show "0".

Set buzzer scale:

1. In standby mode, press and hold PROG button until the the display shows "PROG", " **1** ", " **2** " and " **3** ".
2. Press and hold number button 3 more than 3 seconds, and repeatedly the operation to cycle select "b F1", "b F2" or "b F3".

Code	Frequency
b F1	2 KHz
b F2	1 KHz
b F3	675 Hz

NOTE: After setting up, press STOP button or no operation within 20 seconds, the system will return to standby mode and the display will show "0".

Set power saving mode:

1. In standby mode, press and hold PROG button until the the display shows "PROG", " **1** ", " **2** " and " **3** ".
2. Press and hold POWER button more than 3 seconds, and repeatedly the operation to cycle select "Po1", "Po2", "Po3" and "Po4".

Code	The delay time of entering mode
Po1	1 minute
Po2	2 minutes
Po3	3 minutes
Po4	Off power saving mode

NOTE: After setting up, press STOP button or no operation within 20 seconds, the system will return to standby mode and the display will show "0".

Restore factory settings:

1. In standby mode, press and hold PROG button until the the display shows "PROG", " **1** ", " **2** " and " **3** ".
2. Press and hold START and PROG buttons at the same time more than 3 seconds, the display will show "0 0", the factory settings have been restored

NOTE:

- After setting up, if press STOP button or no operation within 20 seconds, the system will return to

standby mode and the display will show "0".

- Restoring factory settings includes clearing the USB module menu data and restoring the memory settings to the factory settings.

AUTO COOK

The system has 900 auto cook menus to be selected. The default cooking power and time is "P10" and 15 minutes. You can also adjust the power and time by operating the control panel or downloading USB module (Directly input the cooking time and power of the corresponding menu in the specific file in the USB disk. Then connect the USB module of the control panel, download the data by pressing corresponding button, and then complete the menu modification).

Start the auto cook menus cooking program:

1. In standby mode, use number buttons to select corresponding menu (001-900).
2. Press ENTER button to confirm.
3. Press START button to start.

Set menus by control panel:

1. In standby mode, press PROG button once.
2. Press ABC button repeatedly to select weight unit.
3. Use number buttons to set menu code (001-300).
4. Press PROG button once.
4. Press POWER button repeatedly to select power level.
5. Use number buttons to set cooking time. Then you can press POWER and number buttons to set cooking power and time if you need multi-stage cooking program. You can program up to 3 cooking sequences.
6. Press PROG button once to save the menu. The system will return to standby mode.

Set menus by USB module:

The file system must be "FAT32", otherwise it will not be able to download and upload menu data.

1. Connect the USB disk to the interface of USB module (if the connection is successful, "DE" beep will sound; if it fails, no prompt will be given. When the USB disk is disconnected, "DEDE" beep will sound.
2. In standby mode, press and hold PROG button for 4 seconds, the display shows "PROG", " **1** ", " **2** " and " **3** ".
3. If you need to download the USB disk data, press and hold the number button 4 for a long time, if you need to upload the computer board menu data, press and hold press the number button 5 for a long time.
4. When the display shows "FH FL" , the download is completed. When the display shows "FH FU" , the upload is completed.
5. After transmission, press STOP button or no operation within 20 seconds, the system will return to standby mode.

Set the USB module menus:

The file name used for upload is UPLOAD.CSV , the file name used for download is menufile.csv.

As shown in the chart below, the ordinate is the menu number, and the abscissa from left to right is the first cooking program power - cooking time minutes - cooking time seconds - the second cooking program power - cooking time minutes - cooking time seconds - the third cooking program power -

cooking time minutes - cooking time seconds.

number (0-1000)	First Section power (0-10)	First Section min (0-99)	First Section sec (0-99)	Second Section power (0-10)	Second Section min (0-99)	Second Section sec (0-99)	Third Section power (0-10)	Third Section min (0-99)	Third Section sec (0-99)
#0001									
#0002									
#0003									
#0004									
#0005									
#0006									
.....									

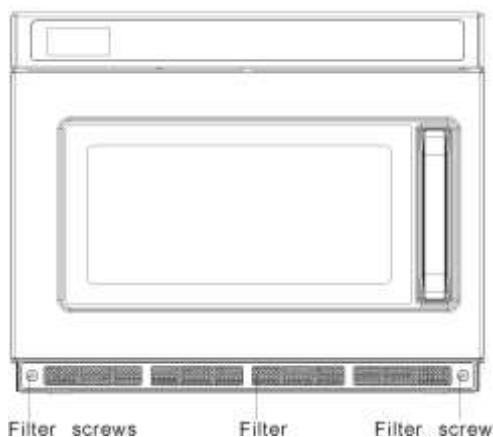
NOTE:

- The power ranges from P00 to P10, the cooking time ranges from 0 minute and 0 seconds to 99 minutes and 99 seconds.
- If cooking power is P10, one single stage cooking program time or multi-stage cooking program total time is up to 15 minutes. But if the multi-stage cooking program total time is more than 15 minutes, the multi-stage cooking program defaults to the one cooking program which is 15 minutes cooking time and P10 power level.

FILTER CLEANING

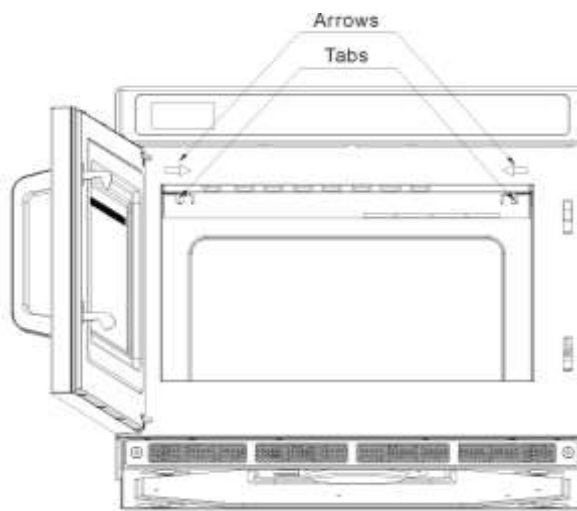
The front filter serves as the air inlet, the filter should be cleaned regularly depending on the kitchen conditions.

1. Turn the two screws fixing the filter screen assembly anticlockwise, remove the filter screen assembly after loosening the screws; and wash it in warm soap and water; rinse, sanitize, allow to dry.
2. Install the screen assembly and tighten the screws clockwise.
3. Make sure that the filter screen assembly is installed before using the microwave oven.



SPLATTER SHIELD EXHAUST WINDOW FRAME CLEANING

1. **Detaching:** Hold the two tabs in front of the splatter shield with your hands (as shown by the arrows). Push the tabs following the direction of the arrows and pull downwards after you have pulled in the tabs.
2. Wash the splatter shield exhaust window frame, rinse, sanitize, allow to dry.
3. **Installation:**
 - 1) Put the the exhaust window frame into the cavity.
 - 2) Insert the two locating pins at the rear of the exhaust window frame into the locating holes on the rear panel of the cavity.
 - 3) Push the front of the exhaust window frame upward and push the lugs at the left and right sides into the fixing holes at the left and right sides of the cavity.



FAILURE DIAGNOSE

Failures	Possible reasons
An error sign "E-01" display.	VPC1 frequency conversion failure.
An error sign "E-02" display.	VPC2 frequency conversion failure.
An error sign "E-03" display.	Communication failure.
An error sign "E-05" display.	VPC1 temperature sensor open circuit alarm.
An error sign "E-06" display.	VPC1 temperature sensor short circuit alarm.
An error sign "E-07" display.	VPC2 temperature sensor open circuit alarm.
An error sign "E-08" display.	VPC2 temperature sensor short circuit alarm.
An error sign "E-09" display.	Cavity temperature sensor open circuit alarm.
An error sign "E-10" display.	Cavity temperature sensor high temperature alarm.
An error sign "E-11" display.	Cavity temperature sensor short circuit alarm.
An error sign "FOOD" display.	No load high temperature alarm.
An error sign "FAIL" display.	Button closed alarm.

Cleaning and Care

1. Turn off the oven and unplug the power cord from the wall when cleaning.
2. Keep the inside of the oven clean. When food splatters or spilled liquids adhere to oven walls, wipe with a damp cloth. Mild detergents may be used if the oven gets very dirty. Avoid using spray or other harsh cleaners. They may stain, streak or dull the door surface.
3. The outside of the oven should be cleaned with a damp cloth. To prevent damage to the operating parts inside the oven, water should not be allowed to seep into the ventilation openings.
4. Wipe the door and window on both sides, the door seals and adjacent parts frequently with a damp cloth to remove any spills or splatters. Do not use abrasive cleaner.
5. Do not allow the control panel to become wet. Clean with a soft, damp cloth. When cleaning the control panel, leave oven door open to prevent oven from accidentally turning on.
6. If steam accumulates inside or around the outside of the oven door, wipe with a soft cloth. This may occur when the microwave oven is operated under high humidity condition. And it is normal.
7. The oven floor should be cleaned regularly to avoid excessive noise. Simply wipe the bottom surface of the oven with mild detergent.
8. Remove odors from your oven by combining a cup of water with the juice and skin of one lemon in a microwaveable bowl. Microwave for 5 minutes. Wipe thoroughly and dry with a soft cloth.
9. If the light bulb burns out, please contact customer service to have it replaced.
10. The oven should be cleaned regularly and any food deposits should be removed. Failure to maintain the oven in a clean condition could lead to deterioration of surface that could adversely affect the life of the unit and could possibly result in a hazardous situation.
11. Please do not dispose of this appliance into the domestic rubbish bin; it should be disposed to the particular disposal center provided by the municipalities.

FCC Caution

This product has been tested and found to comply with the limits for Microwave Oven, pursuant to Part 18 of the FCC Rules. This product can radiate radio frequency energy, which could cause interference to such products as radio, TV, baby monitor, cordless phone, Bluetooth, wireless router, etc., which can be confirmed by turning this product off and on. If present, the user is encouraged to try to correct by taking one or more of the following countermeasures:

- (1) Increase the spacing distance between the microwave oven and other product receiving the interference.
- (2) If possible, use a properly installed receiver antenna and/or reorient the receiving antenna of the other product receiving the interference.
- (3) Plug the microwave oven into a different outlet from the other product receiving the interference.
- (4) Clean door and sealing surfaces of the oven. (See Care and Cleaning of Your Microwave Oven)