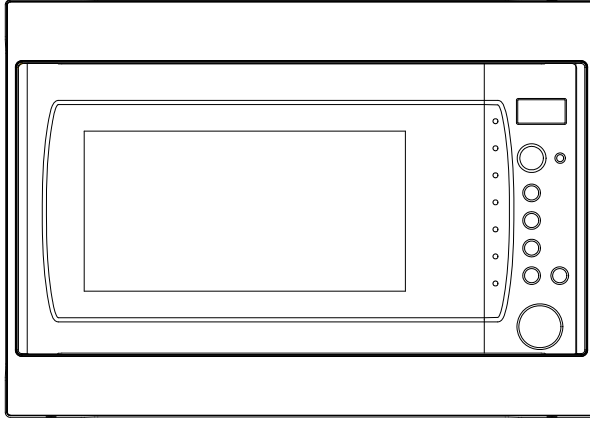


Microwave Oven Instructions



Model: SBD602DPB-PAHC0A-FR02

Please read these instructions carefully before installing and operating the oven.

PRECAUTIONS TO AVOID POSSIBLE EXPOSURE TO EXCESSIVE MICROWAVE ENERGY

1. Do not attempt to operate this oven with the door open since open-door operation can result in harmful exposure to microwave energy. It is important not to defeat or tamper with the safety interlocks.
2. Do not place any object between the oven front face and the door or allow soil or cleaner residue to accumulate on sealing surfaces.
3. Do not operate the oven if it is damaged. It is very important that the oven door close properly and that there is no damage to the
 - a) Door (including any bents),
 - b) Hinges and latches (broken or loosened),
 - c) Door seals and sealing surfaces.
4. The oven should not be adjusted or repaired by anyone except qualified service personnel.

Content

PRECAUTIONS TO AVOID POSSIBLE EXPOSURE TO EXCESSIVE MICROWAVE ENERGY	1
IMPORTANT SAFETY INSTRUCTIONS	2
GROUNDING INSTRUCTIONS	4
Specifications.....	4
Installation Guide	5
Cooking Utensils Guide	5
Part Names	6
Control Panel	7
Operation Instructions.....	8
Setting the clock	8
Microwave cooking	8
Express cook.....	8
Adjust the cooking time.....	8
Keep warm.....	9
Setting the timer.....	9
Time defrost.....	9
Weight defrost.....	9
Multiple cooking.....	9
Child lock	10
Sensor cooking	10
Auto Cook.....	10
Failure warning.....	11
Cleaning and Care	12

IMPORTANT SAFETY INSTRUCTIONS

WARNING!--To reduce the risk of burns, electric shock, fire, injury to persons or exposure to excessive microwave energy:

1. Read all instructions before using the appliance.
2. Read and follow the specific "PRECAUTIONS TO AVOID POSSIBLE EXPOSURE TO EXCESSIVE MICROWAVE ENERGY" on page 1.
3. This appliance must be grounded. Connect only to properly grounded outlet. See "GROUNDING INSTRUCTIONS" on page 4.
4. Install or locate this appliance only in accordance with the provided installation instructions.
5. Do not operate the oven when empty.
6. Some products such as whole eggs and sealed containers -for example, closed glass jars- are able to explode and should not be heated in this oven.
7. Use this appliance only for its intended use as described in this manual. Do not use corrosive chemicals or vapors in this appliance. This type of oven is specifically designed to heat, cook, or dry food. It is not designed for industrial or laboratory use.
8. As with any appliance, close supervision is necessary when used by children.
9. To reduce the risk of fire in the oven cavity:
 - a) Do not overcook food. Carefully attend appliance when paper, plastic, or other combustible materials are placed inside the oven to facilitate cooking.
 - b) Remove wire twist-ties from paper or plastic bags before placing bag in oven.
 - c) If materials inside the oven should ignite, keep oven door closed, turn oven off, and disconnect the power cord or shut off power at the fuse or circuit breaker panel.
 - d) Do not use the cavity for storage purposes. Do not leave paper products, cooking utensils or food in the cavity when not in use.
10. Liquids, such as water, coffee, or tea are able to be overheated beyond the boiling point without appearing to be boiling due to surface tension of the liquid. Visible bubbling or boiling when the container is removed from the microwave oven is not always present. **THEIS COULD RESULT IN VERY HOT LIQUIDS SUDDENLY BOILING OVER WHEN A SPOON OR OTHER UTENSIL IS INSERTED INTO THE LIQUID.** To reduce the risk of injury to person:
 - a) Do not overheat the liquid.
 - b) Stir the liquid both before and halfway through heating it.
 - c) Do not use straight-sided containers with narrow necks.
 - d) After heating, allow the container to stand in the microwave oven for a short time before removing the container.
 - e) Use extreme care when inserting a spoon or other utensil into the container.
11. Do not heat oil or fat for deep-frying. It is difficult to control the temperature of oil in

microwave oven.

12. Do not cover or block any openings on the appliance.
13. Do not store or use this appliance outdoors. Do not use this product near water, for example, near a kitchen sink, in a wet basement, near a swimming pool, or similar locations.
14. Do not operate this appliance if it has a damaged cord or a plug, if it is not working properly or if it has been damaged or dropped.
15. Do not immerse cord or plug in water. Keep cord away from heated surface. Do not let cord hang over edge of table or counter.
16. This appliance should be serviced only by qualified service personnel, contact nearest authorized service facility for examination, repair, or adjustment.
17. When cleaning surfaces of door and oven that comes together on closing the door, use only mild, nonabrasive soaps, or detergents applied with a sponge or soft cloth.
18. This equipment has been tested and found to comply with Part 18 of the FCC Rules. Operation is subject to the following two conditions: (1) This device may not cause harmful interference, and (2) this device must accept any interference received, including interference that may cause undesired operation.

CAUTION: Changes or modifications not expressly approved by the party responsible for compliance could void the user's authority to operate the product.

19. This equipment generates, uses and can radiate radio frequency energy and, if not installed and used in accordance with the instructions, may cause harmful interference to radio communications. However, there is no guarantee that interference will not occur in a particular installation. If this equipment does cause harmful interference to radio or television reception, which can be determined by turning the equipment off and on, the user is encouraged to try to correct the interference by one or more of the following measures:
 - Reorient or relocate the receiving antenna.
 - Increase the separation between the equipment and receiver.
 - Connect the equipment into an outlet on a circuit different from that to which the receiver is connected.
 - Consult the dealer or an experienced radio/TV technician for help.

SAVE THESE INSTRUCTIONS

GROUNDING INSTRUCTIONS

This appliance must be grounded. In the event of an electrical short circuit, grounding reduces risk of electric shock by providing an escape wire for the electric current. This appliance is equipped with a cord having a grounding wire with a grounding plug. The plug must be plugged into an outlet that is properly installed and grounded.

WARNING!-- Improper use of the grounding plug can result in a risk of electric shock. Consult a qualified electrician or serviceman if the grounding instructions are not completely understood, or if doubt exists as to whether the appliance is properly grounded, and if it is necessary to use an extension cord, use only a 3-wire extension cord that has a 3-blade grounding plug and a 3-slot receptacle that will accept the plug on the appliance. The marked rating of the extension cord shall be equal to or greater than the electrical rating of the appliance.

Electrical Requirements

The electrical requirements are a 120 volt 60 Hz, AC only, 20 amp. It is recommended that a separate circuit serving only the oven be provided. The oven is equipped with a 3-prong grounding plug. It must be plugged into a wall outlet properly installed and grounded.

Power Cord

1. A short power supply cord is provided to reduce the risks resulting from becoming entangled in or tripping over a longer cord.
2. Longer cord sets or extension cords are available and may be used if care is exercised in their use.
3. If long cord or extension cord is used:
 - a) The marked electrical rating of the cord set or extension cord should be at least as great as the electrical rating of the appliance.
 - b) The extension cord must be a grounding-type 3-wire cord, and The longer cord should be arranged so that it will not drape over the counter top or table top where it can be pulled on by children or tripped over unintentionally.

Specifications

Power Consumption	120V/60Hz, 1500W(microwave)
Output	1200W
Operation Frequency	2450MHz
Outside Dimensions(H x W x D)	19 ² / ₁₆ × 27 × 19 ¹⁴ / ₁₆ in.
Oven Capacity	2.1cu.ft.
Net Weight	Approx.36.4lbs

Installation Guide

1. Make sure that all the packing materials are removed from the inside of the door.
2. This microwave oven must be placed on a flat.
3. For correct operation, the oven must have sufficient air flow. Allow 20cm of space above the oven, 10cm at back and 5cm at both sides. Do not cover or block any openings on the appliance. Do not remove feet on which oven stands.
4. Do not operate the oven without glass tray, roller support, and shaft in their proper positions.
5. Make sure that the power cord is undamaged and does not run under the oven or over any hot or sharp surface.
6. The socket must be readily accessible so the microwave oven can be easily unplugged in an emergency.

Cooking Utensils Guide

This section lists which utensils can be used in this microwave, which have limited use for short periods, and which should not be used in this microwave.

RECOMMENDED

Microwave browning dish — Use to brown the exterior of small items such as steaks, chops, or pancakes. Follow the directions provided with your browning dish.

Microwaveable plastic wrap — Use to retain steam. Leave a small opening for some steam to escape and avoid placing it directly on the food.

Paper towels and napkins — Use for short-term heating and covering; these absorb excess moisture and prevent spattering. Do not use recycled paper towels, which may contain metal and could ignite.

Glass and glass-ceramic bowls and dishes — Use for heating or cooking.

Paper plates and cups — Use for short-term heating at low temperatures. Do not use recycled paper, which may contain metal and could ignite.

Wax paper — Use as a cover to prevent spattering.

Thermometers — Use only those labeled "Microwave Safe" and follow all directions. Check the food in several places. Conventional thermometers may be used on microwave food once the food has been removed from the oven.

LIMITED USE

Aluminum foil — Use narrow strips of foil to prevent overcooking of exposed areas. Using too much foil can damage your oven, so be careful. You should keep distance of 1 inch (2.54cm) between aluminum foil and cavity.

Ceramic, porcelain, and stoneware— Use these if they are labeled "Microwave Safe". If they are not labeled, test them to make sure they can be used safely.

Plastic — Use only if labeled "Microwave Safe". Other plastics can melt.

NOT RECOMMENDED

Glass jars and bottles — Regular glass is too thin to be used in a microwave. It can shatter and cause damage and injury.

Paper bags — These are a fire hazard, except for popcorn bags that are designed for microwave use.

Styrofoam plates and cups — These can melt and leave an unhealthy residue on food.

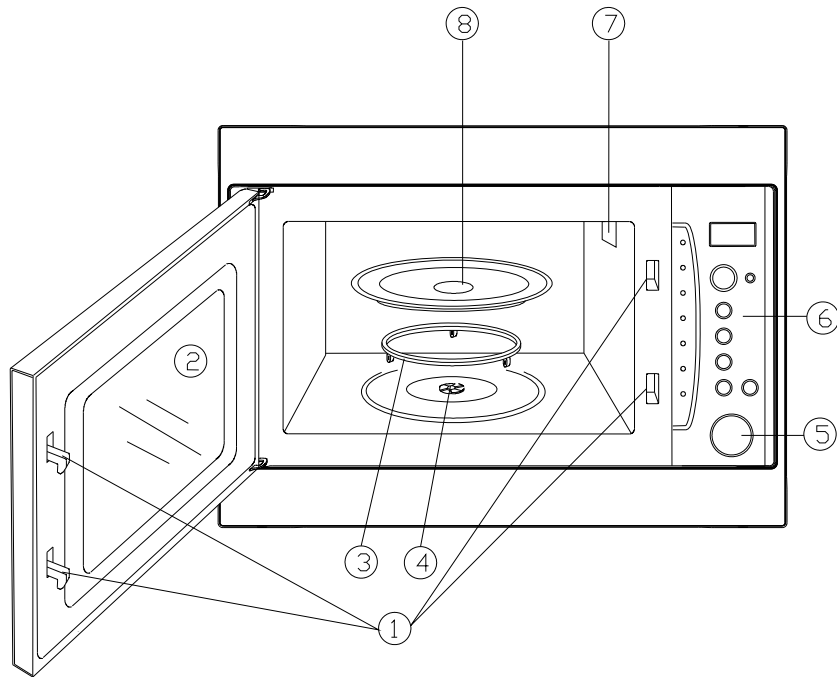
Plastic storage and food containers — Containers such as margarine tubs can melt in the microwave.

Metal utensils — These can damage your oven. Remove all metal before cooking.

Note:

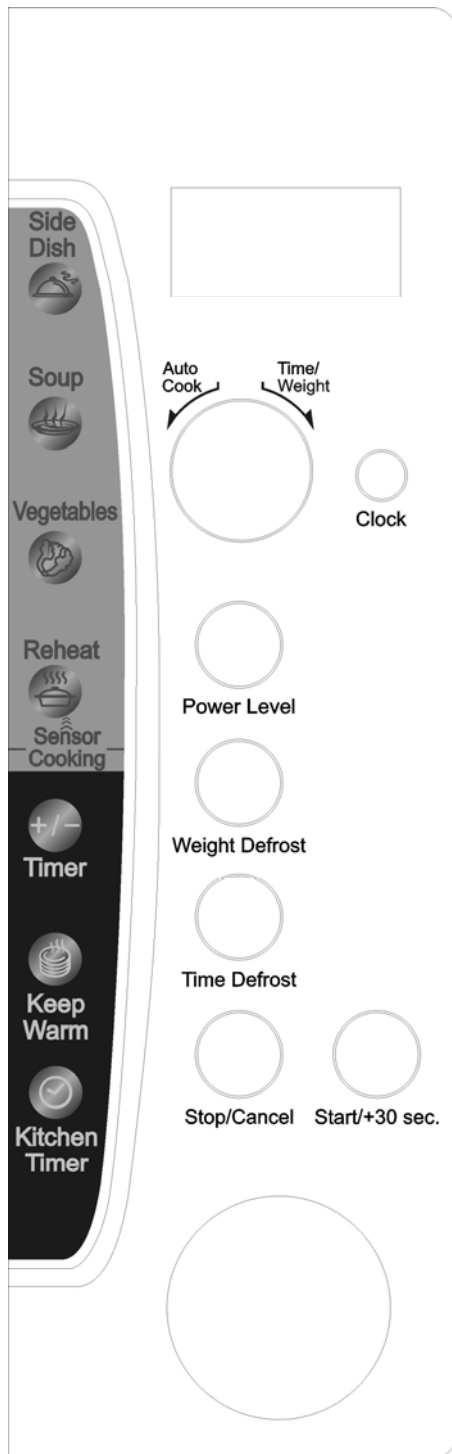
Should you wish to check if a dish is safe for microwaving, place the empty dish in the oven and microwave on HIGH for 30 seconds. A dish which becomes very hot should not be used.

Part Names



1. Door Safety Lock System
2. Oven Window
3. Roller Ring
4. Shaft
5. Door Release Button
6. Control Panel
7. Wave Guide (Please do not remove the mica plate covering the wave guide)
8. Glass Tray

Control Panel



- **DISPLAY**

Cooking time, power, indicators and present time are displayed.

- **POWER LEVEL**

Use to set microwave power levels.

- **SENSOR COOKING MENUS**

Instant settings to cook popular foods

- **CLOCK**

Touch to set CLOCK function.

- **KITCHEN TIMER**

Touch to set timer function.

- **KEEP WARM**

Touch to set keep warm program.

- **STOP/CANCEL**

Touch to stop the oven or reset the oven before setting a program.

Touch to set the child lock

- **WEIGHT DEFROST**

Use to set weight defrost program.

- **TIME DEFROST**

Touch to set defrost program base on the time

- **START/+30SEC**

Touch to start the oven; also use to add cooking time during cooking process and use to set the express cooking.


- **TIMER +/-**

Use to change cooking time during cooking process

- **AUTO COOK/TIME/WEIGHT DIAL**

Use to choose auto cook menus; also use to select time or weight.

Operation Instructions

- When the display first plugged in, beep will sound and the display will show “1:01” and .
- During the setting mode, the system will return to waiting mode if there is not any operation within 25 seconds.
- During cooking, if press STOP/CANCEL pad once, the program will be paused, then press START/+30SEC pad to resume, but if press STOP/CANCEL pad twice, the program will be canceled.
- After ending cooking, the system will sound beeps to remind user every two minutes until user press STOP/CANCEL pad or turn the AUTO COOK/TIME/WEIGHT dial or open the door.

SETTING THE CLOCK

This is a clock in 24 or 12 hour cycle. Suppose you want to enter 8:08.

1. In standby mode, you can choose to set the clock time in 24 or 12 hour cycle by pressing the CLOCK button once or twice.
2. Turn AUTO COOK/TIME/WEIGHT dial to indicate the hour digit.
3. Press CLOCK button once.
4. Turn AUTO COOK/TIME/WEIGHT dial to indicate the minute digits until the screen shows.
5. Press START/+30SEC to confirm.

NOTE: During cooking, you can press CLOCK pad to check the current time.

MICROWAVE COOKING

The longest cooking time is 95 minutes. During cooking process, you can add cooking time by touching START/+30SEC pad.

Select power level by pressing the POWER LEVEL button:

Press POWER LEVEL button	COOKING POWER	DISPLAY
Once	100%	P100
Twice	90%	P-90
3 times	80%	P-80
...
9 times	20%	P-20
10 times	10%	P-10

Suppose you want to cook for 5 minutes at 60%:

1. Touch POWER LEVEL pad a number of times to select the power level.
2. Turn AUTO COOK/TIME/WEIGHT dial to enter 5 minutes
3. Press START/+30SEC pad to start.

NOTE: During cooking you can check the cooking power level by touching POWER LEVEL pad. If you want to cook at full power level, omit the first step.

EXPRESS COOK

In standby mode, press START/+30SEC pads to enter cooking time, and the oven will start automatically at 100% high power level. During cooking, you can add the cooking time by pressing START/+30SEC pad (each press for 30 seconds). The longest cooking time is 95 minutes.

ADJUST THE COOKING TIME

During cooking process (except the auto cook), you may press TIMER +/- pad once and then turn the

AUTO COOK/TIME/WEIGHT dial to extend or shorten the cooking time while the sign COOK is twinkling

KEEP WARM

1. In standby mode, press KEEP WARM pads once
2. Turn AUTO COOK/TIME/WEIGHT dial to enter desired time.
3. Press START/+30SEC pad to confirm.

SETTING THE TIMER

The countdown longest time is 95 minutes

1. Press KITCHEN TIMER pad once.
2. Turn AUTO COOK/TIME/WEIGHT dial to enter time. The longest time you can set is 95 minutes.
3. Press START/+30SEC pad to confirm.

NOTE:

1. If you want to cancel the timer, press KITCHEN TIMER pad, during the display showing the time, press STOP/CANCEL pad.
2. When the countdown ends, the buzzer will beep to remind you.
3. During sensor cooking, the timer program cannot be set and check.

TIME DEFROST

The longest defrosting time is 95 minutes

1. Touch TIME DEFROST pad once.
2. Enter desired defrosting time by turning AUTO COOK/TIME/WEIGHT dial.
3. Touch START/+30SEC pad.

NOTE: During defrost, the oven will pause and sound beep to remind user to turn the food over and then press START/+30SEC pad to resume.

WEIGHT DEFROST

The oven could be used to defrost food on the weight you entered. The defrosting time and power level are automatically set once the weight is programmed.

FOR EXAMPLE: Suppose you want to defrost food.

1. In standby mode, press WEIGHT DEFROST pad once.
2. Enter weight by turning AUTO COOK/TIME/WEIGHT dial. The maximum weight is 6 LB.
3. Press START/+30SEC pad.

NOTE: During defrosting process, the system will pause and sound to remind user to turn food over, after that, press START/+30SEC to resume.

MULTIPLE COOKING

Your oven can be programmed for up to 3 automatic cooking sequences.

Suppose you want to set the following cooking program.

Microwave-cooking



Microwave-cooking (with lower power level)

1. In standby mode, input microwave-cooking program without press START/+30SEC.
2. Input another microwave-cooking program with probably lower power level settings.
3. Touch START/+30SEC pad.

NOTE: Weight defrost, Time defrost, Sensor cooking menus and Auto cook menus cannot be set in multiple cooking program.

CHILD LOCK

Use to prevent unsupervised operation of the oven by little children. The Child Lock indicator will show on display screen, and the oven cannot be operated while the Child Lock is set.

To set: In standby mode, press and hold the STOP/CANCEL button for 3 seconds, a beep sounds and lock indicator lights.

To cancel: Press and hold the STOP/CANCEL button for 3 seconds until lock indicator light on display turns off.

SENSOR COOKING

The sensor features detect the increasing humidity released during cooking. The oven automatically adjusts the cooking time to various types and amounts of food.

Suppose you want to cook potatoes:

1. Place the food in the oven and close the door, press desired sensor menu pads once to enter menu code, the oven will start automatically 1 seconds later and the display will show "AUTO", "[]", "COOK" and corresponding menu icons.
2. After cooking for a period of time, the system will detect whether there is error, if there is error, for example, the sensor short circuit or open circuit, the system will stop automatically with the display showing E-0, beeps sound until touch STOP/CANCEL pad.
3. If there is not error, the system will judge the cooking time according the steam which generated by the food in the oven, the cooking time appears on display and begins counting down. You can adjust the cooking time by touching the TIMER +/- pad once and then turn the AUTO COOK/TIME/WEIGHT dial to change the cook time while the sign COOK is twinkling
4. END will display and beep sound when cook is finished. During cooking, once you open the door or press STOP/CANCEL pad once, oven return to standby.

SENSOR COOKING CHART

Food Category	Food Code	Food
Reheat	Sr-1	Beverage
	Sr-2	Casserole
	Sr-3	Plate of Food
	Sr-4	Steak
Vegetables	SE-1	Fresh
	SE-2	Frozen
	SE-3	Canned
Side Dishes	SS-1	Potato
	SS-2	Rice
	SS-3	Pasta
Soup	SOUP	Soup

For example, you want to reheat a plate of food:

Place food into the oven and close the door. Press REHEAT pad 3 times to choose Sr-3, and the oven will auto start cooking.

NOTE: During sensor cooking program, if press STOP/CLEAR pad once or open the door, the system will turn back to standby mode.

AUTO COOK

For food or the following cooking mode, it is not necessary to program the duration and the cooking power. It is sufficient to indicate the type of food that you wish to cook as well as the weight of this food.

For example: to cook 1/2 Stick of Butter.

1. In waiting mode, place food into oven, and close the door.
2. Turn AUTO COOK/TIME/WEIGHT dial anti-clockwise once and then rotate it clockwise until code b1 displays.
3. Press START/+30SEC to start.

Auto Cook Menus

Food	Food Code	Weight
Butter	b1	1/2 Stick
	b2	1 Stick
	b3	2 Stick
Cheese	C1	3 ounce
	C2	6 ounce
Frozen Pizza (4 ounce each)	F1	1 slice
	F2	2 slice
	F3	3 slice
Ice Cream	E1	1 pint
	E2	1 quart
Popcorn	P1	1.75 ounce
	P2	3.0 ounce
	P3	3.5 ounce

FAILURE WARNING

In the microwave mode, if undetectable feedback signal for five seconds, the system will stop working, and buzzer constantly issued "DE" hint sound and display "E-1".After troubleshooting, press the STOP/CANCEL button, the system back to normal standby mode.

Cleaning and Care

1. Turn off the oven and unplug the power cord from the wall when cleaning.
2. Keep the inside of the oven clean. When food splatters or spilled liquids adhere to oven walls, wipe with a damp cloth. Mild detergents may be used if the oven gets very dirty. Avoid using spray or other harsh cleaners. They may stain, streak or dull the door surface.
3. The outside of the oven should be cleaned with a damp cloth. To prevent damage to the operating parts inside the oven, water should not be allowed to seep into the ventilation openings.
4. Wipe the door and window on both sides, the door seals and adjacent parts frequently with a damp cloth to remove any spills or splatters. Do not use abrasive cleaner.
5. Do not allow the control panel to become wet. Clean with a soft, damp cloth. When cleaning the control panel, leave oven door open to prevent oven from accidentally turning on.
6. If steam accumulates inside or around the outside of the oven door, wipe with a soft cloth. This may occur when the microwave oven is operated under high humidity condition. And it is normal.
7. It is occasionally necessary to remove the glass tray for cleaning. Wash the tray in warm sudsy water or in a dishwasher.
8. The roller ring and oven floor should be cleaned regularly to avoid excessive noise. Simply wipe the bottom surface of the oven with mild detergent. The roller ring may be washed in mild, soapy water or in a dishwasher. When removing the roller ring, be sure to replace it in the proper position.
9. Remove odors from your oven by combining a cup of water with the juice and skin of one lemon in a microwaveable bowl. Microwave for 5 minutes. Wipe thoroughly and dry with a soft cloth.
10. If the light bulb burns out, please contact customer service to have it replaced.
11. The oven should be cleaned regularly and any food deposits should be removed. Failure to maintain the oven in a clean condition could lead to deterioration of surface that could adversely affect the life of the unit and could possibly result in a hazardous situation.
12. Please do not dispose of this appliance into the domestic rubbish bin; it should be disposed to the particular disposal center provided by the municipalities.