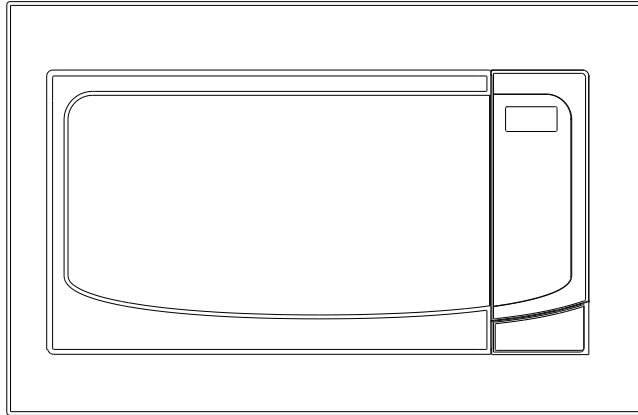


Microwave Oven Instructions



Model: P11043APHV-B9-FR01

Please read these instructions carefully before installing and operating the oven.

PRECAUTIONS TO AVOID POSSIBLE EXPOSURE TO EXCESSIVE MICROWAVE ENERGY

1. Do not attempt to operate this oven with the door open since open-door operation can result in harmful exposure to microwave energy. It is important not to defeat or tamper with the safety interlocks.
2. Do not place any object between the oven front face and the door or allow soil or cleaner residue to accumulate on sealing surfaces.
3. Do not operate the oven if it is damaged. It is very important that the oven door close properly and that there is no damage to the
 - a) Door (including any bents),
 - b) Hinges and latches (broken or loosened),
 - c) Door seals and sealing surfaces.
4. The oven should not be adjusted or repaired by anyone except qualified service personnel.

Content

PRECAUTIONS TO AVOID POSSIBLE EXPOSURE TO EXCESSIVE MICROWAVE ENERGY	1
IMPORTANT SAFETY INSTRUCTIONS	2
GROUNDING INSTRUCTIONS	4
Specifications	4
Installation Guide	5
Cooking Utensils Guide	5
Part Names	6
Control Panel	7
Operation Instructions	8
Setting the clock	8
Setting the timer.....	8
Microwave cooking	8
Quick start.....	9
Multi-stage cooking	9
Weight defrost.....	9
Child lock	9
Sensor cook menus	10
Cleaning and Care	11

IMPORTANT SAFETY INSTRUCTIONS

WARNING!--To reduce the risk of burns, electric shock, fire, injury to persons or exposure to excessive microwave energy:

1. Read all instructions before using the appliance.
2. Read and follow the specific "PRECAUTIONS TO AVOID POSSIBLE EXPOSURE TO EXCESSIVE MICROWAVE ENERGY" on page 1.
3. This appliance must be grounded. Connect only to properly grounded outlet. See "GROUNDING INSTRUCTIONS" on page 4.
4. Install or locate this appliance only in accordance with the provided installation instructions.
5. Do not operate the oven when empty.
6. Some products such as whole eggs and sealed containers -for example, closed glass jars- are able to explode and should not be heated in this oven.
7. Use this appliance only for its intended use as described in this manual. Do not use corrosive chemicals or vapors in this appliance. This type of oven is specifically designed to heat, cook, or dry food. It is not designed for industrial or laboratory use.
8. As with any appliance, close supervision is necessary when used by children.
9. To reduce the risk of fire in the oven cavity:
 - a) Do not overcook food. Carefully attend appliance when paper, plastic, or other combustible materials are placed inside the oven to facilitate cooking.
 - b) Remove wire twist-ties from paper or plastic bags before placing bag in oven.
 - c) If materials inside the oven should ignite, keep oven door closed, turn oven off, and disconnect the power cord or shut off power at the fuse or circuit breaker panel.
 - d) Do not use the cavity for storage purposes. Do not leave paper products, cooking utensils or food in the cavity when not in use.
10. Liquids, such as water, coffee, or tea are able to be overheated beyond the boiling point without appearing to be boiling due to surface tension of the liquid. Visible bubbling or boiling when the container is removed from the microwave oven is not always present. **THEIS COULD RESULT IN VERY HOT LIQUIDS SUDDENLY BOILING OVER WHEN A SPOON OR OTHER UTENSIL IS INSERTED INTO THE LIQUID.** To reduce the risk of injury to person:
 - a) Do not overheat the liquid.
 - b) Stir the liquid both before and halfway through heating it.
 - c) Do not use straight-sided containers with narrow necks.
 - d) After heating, allow the container to stand in the microwave oven for a short time before removing the container.
 - e) Use extreme care when inserting a spoon or other utensil into the container.
11. Do not heat oil or fat for deep-frying. It is difficult to control the temperature of oil in

microwave oven.

12. Do not cover or block any openings on the appliance.
13. Do not store or use this appliance outdoors. Do not use this product near water, for example, near a kitchen sink, in a wet basement, near a swimming pool, or similar locations.
14. Do not operate this appliance if it has a damaged cord or a plug, if it is not working properly or if it has been damaged or dropped.
15. Do not immerse cord or plug in water. Keep cord away from heated surface. Do not let cord hang over edge of table or counter.
16. This appliance should be serviced only by qualified service personnel, contact nearest authorized service facility for examination, repair, or adjustment.
17. When cleaning surfaces of door and oven that comes together on closing the door, use only mild, nonabrasive soaps, or detergents applied with a sponge or soft cloth.
18. This equipment has been tested and found to comply with Part 18 of the FCC Rules. Operation is subject to the following two conditions: (1) This device may not cause harmful interference, and (2) this device must accept any interference received, including interference that may cause undesired operation.

CAUTION: Changes or modifications not expressly approved by the party responsible for compliance could void the user's authority to operate the product.

19. This equipment generates, uses and can radiate radio frequency energy and, if not installed and used in accordance with the instructions, may cause harmful interference to radio communications. However, there is no guarantee that interference will not occur in a particular installation. If this equipment does cause harmful interference to radio or television reception, which can be determined by turning the equipment off and on, the user is encouraged to try to correct the interference by one or more of the following measures:
 - Reorient or relocate the receiving antenna.
 - Increase the separation between the equipment and receiver.
 - Connect the equipment into an outlet on a circuit different from that to which the receiver is connected.
 - Consult the dealer or an experienced radio/TV technician for help.

SAVE THESE INSTRUCTIONS

GROUNDING INSTRUCTIONS

This appliance must be grounded. In the event of an electrical short circuit, grounding reduces risk of electric shock by providing an escape wire for the electric current. This appliance is equipped with a cord having a grounding wire with a grounding plug. The plug must be plugged into an outlet that is properly installed and grounded.

WARNING!-- Improper use of the grounding plug can result in a risk of electric shock.

Consult a qualified electrician or serviceman if the grounding instructions are not completely understood, or if doubt exists as to whether the appliance is properly grounded, and if it is necessary to use an extension cord, use only a 3-wire extension cord that has a 3-blade grounding plug and a 3-slot receptacle that will accept the plug on the appliance. The marked rating of the extension cord shall be equal to or greater than the electrical rating of the appliance.

Electrical Requirements

The electrical requirements are a 120 volt 60 Hz, AC only, 20 amp. It is recommended that a separate circuit serving only the oven be provided. The oven is equipped with a 3-prong grounding plug. It must be plugged into a wall outlet properly installed and grounded.

Power Cord

1. A short power supply cord is provided to reduce the risks resulting from becoming entangled in or tripping over a longer cord.
2. Longer cord sets or extension cords are available and may be used if care is exercised in their use.
3. If long cord or extension cord is used:
 - a) The marked electrical rating of the cord set or extension cord should be at least as great as the electrical rating of the appliance.
 - b) The extension cord must be a grounding-type 3-wire cord, and The longer cord should be arranged so that it will not drape over the counter top or table top where it can be pulled on by children or tripped over unintentionally.

Specifications

Power Consumption	120V/60Hz, 1350W(microwave)
Output	1100W
Operation Frequency	2450MHz
Outside Dimensions(H x W x D)	19 1/8 x 29 3/4 x 18 7/16 in.
Oven Capacity	1.5cu.ft.
Net Weight	Approx.38.4lbs

Installation Guide

1. Make sure that all the packing materials are removed from the inside of the door.
2. This microwave oven must be placed on a flat.
3. For correct operation, the oven must have sufficient air flow. Allow 20cm of space above the oven, 10cm at back and 5cm at both sides. Do not cover or block any openings on the appliance. Do not remove feet on which oven stands.
4. Do not operate the oven without glass tray, roller support, and shaft in their proper positions.
5. Make sure that the power cord is undamaged and does not run under the oven or over any hot or sharp surface.
6. The socket must be readily accessible so the microwave oven can be easily unplugged in an emergency.

Cooking Utensils Guide

This section lists which utensils can be used in this microwave, which have limited use for short periods, and which should not be used in this microwave.

RECOMMENDED

Microwave browning dish — Use to brown the exterior of small items such as steaks, chops, or pancakes. Follow the directions provided with your browning dish.

Microwaveable plastic wrap — Use to retain steam. Leave a small opening for some steam to escape and avoid placing it directly on the food.

Paper towels and napkins — Use for short-term heating and covering; these absorb excess moisture and prevent spattering. Do not use recycled paper towels, which may contain metal and could ignite.

Glass and glass-ceramic bowls and dishes — Use for heating or cooking.

Paper plates and cups — Use for short-term heating at low temperatures. Do not use recycled paper, which may contain metal and could ignite.

Wax paper — Use as a cover to prevent spattering.

Thermometers — Use only those labeled "Microwave Safe" and follow all directions. Check the food in several places. Conventional thermometers may be used on microwave food once the food has been removed from the oven.

LIMITED USE

Aluminum foil — Use narrow strips of foil to prevent overcooking of exposed areas. Using too much foil can damage your oven, so be careful. You should keep distance of 1 inch (2.54cm) between aluminum foil and cavity.

Ceramic, porcelain, and stoneware— Use these if they are labeled "Microwave Safe". If they are not labeled, test them to make sure they can be used safely.

Plastic — Use only if labeled "Microwave Safe". Other plastics can melt.

NOT RECOMMENDED

Glass jars and bottles — Regular glass is too thin to be used in a microwave. It can shatter and cause damage and injury.

Paper bags — These are a fire hazard, except for popcorn bags that are designed for microwave use.

Styrofoam plates and cups — These can melt and leave an unhealthy residue on food.

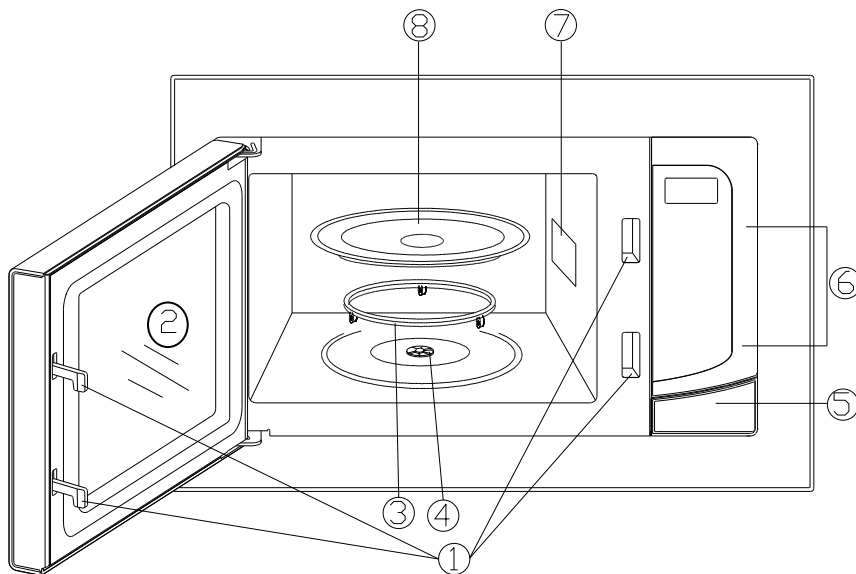
Plastic storage and food containers — Containers such as margarine tubs can melt in the microwave.

Metal utensils — These can damage your oven. Remove all metal before cooking.

Note:

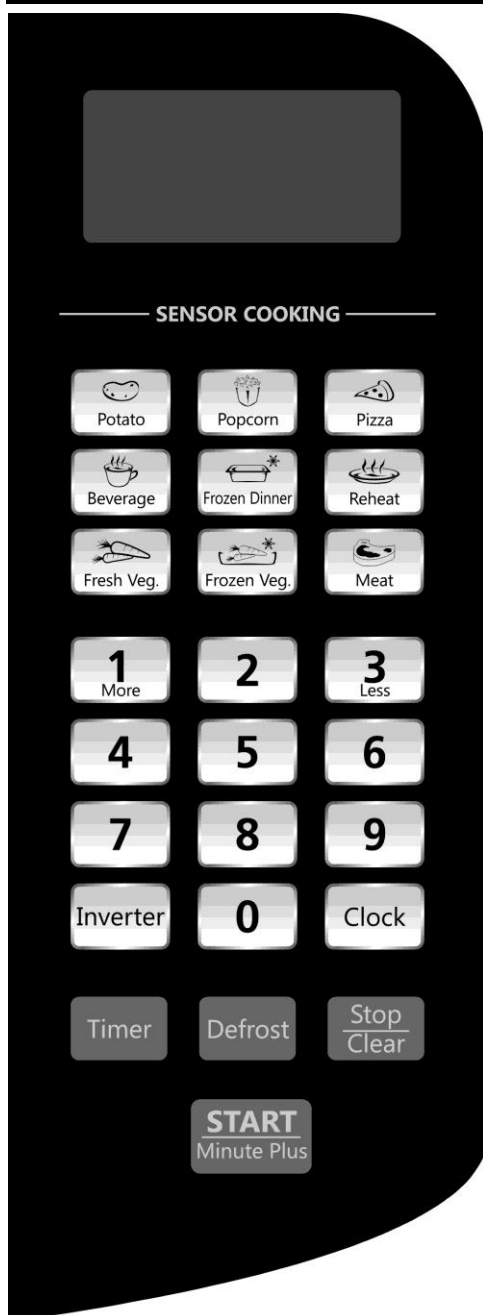
Should you wish to check if a dish is safe for microwaving, place the empty dish in the oven and microwave on HIGH for 30 seconds. A dish which becomes very hot should not be used.

Part Names



1. Door Safety Lock System
2. Oven Window
3. Roller Ring
4. Shaft
5. Door Release Button
6. Control Panel
7. Wave Guide (Please do not remove the mica plate covering the wave guide)
8. Glass Tray

Control Panel



- **MENU ACTION SCREEN**

Cooking time, power, indicators and clock time are displayed.

- **SENSOR COOK MENUS**

Instant settings to cook popular foods

- **NUMBER PADS (0-9)**

Touch to set clock, cooking time or enter food weight.

- **INVERTER**

Use to set microwave power levels.

- **CLOCK**

You can also touch it to set the clock.

- **TIMER**

Use to set kitchen timer.

- **STOP/CLEAR**

Touch to stop the oven or reset the oven before setting a program.

- **DEFROST**

Easy settings to defrost according to weight entered.

- **START/ MINUTE PLUS**

Touch to start the oven; also use to add cooking time during cooking process.

- **MORE/LESS (1/3)**

Use to add or reduce time from cooking.

Operation Instructions

- When the oven first plugged in, beep will sound and the display will show "1:01" and CLOCK.
- During cook setting mode, the system will return to standby mode if there is not any operation within 25 seconds.
- During cooking, if press STOP/CLEAR pad once, the program will be paused, then press START/MINUTE PLUS pad to resume, but if press STOP/CLEAR pad twice, the program will be canceled.
- After ending cooking, the system will sound beeps to remind user every two minutes until user press STOP/CLEAR pad or open the door.
- The controlling system of the microwave oven has the feature of cooling. As for any cooking mode which cooking time above 2 minutes, after finishing cooking or cooking program is paused, the oven fan will work about 30 seconds automatically to cool the oven for prolonging the life of the oven.

SETTING THE CLOCK

This is a 12 or 24 hour clock, you can choose it by touching CLOCK pad once or twice.

1. In standby mode, touch CLOCK pad once or twice to choose 12 or 24 hour clock.
2. Use the number pads to enter clock time.
3. Touch CLOCK pad again.

NOTE: During cooking, you can check the clock time by touching the CLOCK pad.

SETTING THE TIMER

1. Touch TIMER pad once.
2. Enter the time by touching the number pads. The maximum time you can enter is 99 minutes and 99 seconds.
3. Touch START/MINUTE PLUS pad.

NOTE: The timer countdown can be seen for 5 seconds by touching TIMER pad and then press STOP/CLEAR pad can cancel the program when the display show the time.

MICROWAVE COOKING

For pure microwave cooking, there are 11 power levels from which to choose one as the best. The longest cooking time is 99 minutes and 99 seconds.

You can select the power level by pressing INVERTER:

Press INVERTER button	Cooking Power	Press INVERTER button	Cooking Power
Once	100% (P100)	7 times	40% (P-40)
Twice	90% (P-90)	8 times	30% (P-30)
3 times	80% (P-80)	9 times	20% (P-20)
4 times	70% (P-70)	10 times	10% (P-10)
5 times	60% (P-60)	11 times	0% (P-00)
6 times	50% (P-50)		

Suppose you want to cook for 5 minutes at 60%:

1. In standby mode, touch INVERTER to select power level.
2. Use the number pads to enter cooking time.

3. Press START/MINUTE PLUS to start.

NOTE: You can check power level during cooking by pressing INVERTER.

In the microwave mode, if undetectable feedback signals for five seconds, the system will stop working, and buzzer constantly issued "DE" hint sound and display "E-1". After troubleshooting, press the STOP/CLEAR button, the system back to normal standby mode

QUICK START

You can set 100% power level cooking quickly by pressing START/MINUTE PLUS button to set 1 minute each time. The longest time you can set is 99 minutes and 99 seconds.

In standby mode, press START/MINUTE PLUS button to enter cooking time, the oven will auto start cooking at full power level.

NOTE: By pressing START/MINUTE PLUS button in quick succession, you can add cooking time during microwave cooking and quick start cooking (each press for 1 minute, and up to 99 minutes and 99 seconds).

MULTI-STAGE COOKING

Your oven can be programmed for up to 2 automatic cooking sequences.

Suppose you want to set the following cooking program.

Microwave-cooking



Microwave-cooking (with lower power level)

1. Input microwave-cooking program without press START/MINUTE PLUS.
2. Input another microwave-cooking program with probably lower power level settings.
3. Touch START/MINUTE PLUS button.

NOTE: Weight defrost, quick start and sensor cook menus cannot be set in the multistage mode. The respective lights will come on to indicate which stage the oven is operating in.

WEIGHT DEFROST

The oven could be used to defrost food on the weight you entered. The defrosting time and power level are automatically set once the weight is programmed.

FOR EXAMPLE: Suppose you want to defrost 600g shrimp.

1. Place the shrimp to be defrosted into the oven.
2. In standby mode, presses DEFROST button once and then press DEFROST button repeatedly to choose defrost type.
3. Use the number buttons to select food weight.
4. Press START/MINUTE PLUS button.

DEFROST CODE	DEFROST TYPE	WEIGHT RANGE
1	Meat	1OZ~6LB
2	Poultry	1OZ~4LB
3	Seafood	1OZ~2LB

NOTE: During defrosting program, the system will pause and sound beeps to remind user to turn food over, and then press START/MINUTE PLUS to resume the defrosting.

CHILD LOCK

Use to prevent unsupervised operation of the oven by little children. The Child Lock indicator will show on display screen, and the oven cannot be operated while the Child Lock is set.

To set: In standby mode, press and hold the STOP/CLEAR button for 3 seconds, a beep sounds and lock

indicator lights.

To cancel: Press and hold the STOP/CLEAR button for 3 seconds until lock indicator light on display turns off.

SENSOR COOK MENUS

The sensor features detect the increasing humidity released during cooking. The oven automatically adjusts the cooking time to various types and amounts of food.

Suppose you want to cook potatoes:

1. In order to ensure the induction effect, the oven should blow for 45s before microwave cooking.
2. After cooking for a period of time, the system will detect whether there is error, if there is error, for example, the sensor short circuit or open circuit, the system will stop automatically with the display showing E-5, beeps sound every 2s until touch STOP/CLEAR pad.
3. If there is no error, the system will judge corresponding cooking time based on the steam generated by the food, after cooking for a period of time, the countdown will display on the screen. During countdown process, you can press 3/LESS or 1/MORE to adjust cooking time. After ending cooking, the buzzer sound bees for a while with display End.
4. During sensor cooking program, if press STOP/CLEAR pad once or open the door, the system will turn back to standby mode.
5. During the longest sensor time, if the oven cannot test the cooking time according to the steam which produced by food in the oven, the cooking program will automatically end.

For sensor cooking, place food into the oven and then press corresponding menu pad to enter food weight and the oven will auto start cooking.

SENSOR COOKING MENUS

Food Pad	Weight Ranges	Note
Popcorn	3.5oz	<ul style="list-style-type: none">• During cooking process, you may touch the MORE or LESS pad to extend or shorten the cooking time (each touch for 5 seconds). The longest time you can set is 30:00.• Do not use the sensor features twice in succession on the same food portion— it may result in severely overcooked or burnt food. If food is undercooked after the countdown, use time cooking for additional cooking time.• For Beverage, press BEVERAGE repeatedly to select number of servings.
Potato	6~24 oz	
Pizza	5~12 oz	
Meat	8~28 oz	
Fresh veg.	8~28 oz	
Beverage	1~3 cup(200ml/cup)	
Frozen Dinner	8~28 oz	
Reheat	8~28 oz	
Frozen veg.	8~28 oz	

Cleaning and Care

1. Turn off the oven and unplug the power cord from the wall when cleaning.
2. Keep the inside of the oven clean. When food splatters or spilled liquids adhere to oven walls, wipe with a damp cloth. Mild detergents may be used if the oven gets very dirty. Avoid using spray or other harsh cleaners. They may stain, streak or dull the door surface.
3. The outside of the oven should be cleaned with a damp cloth. To prevent damage to the operating parts inside the oven, water should not be allowed to seep into the ventilation openings.
4. Wipe the door and window on both sides, the door seals and adjacent parts frequently with a damp cloth to remove any spills or splatters. Do not use abrasive cleaner.
5. Do not allow the control panel to become wet. Clean with a soft, damp cloth. When cleaning the control panel, leave oven door open to prevent oven from accidentally turning on.
6. If steam accumulates inside or around the outside of the oven door, wipe with a soft cloth. This may occur when the microwave oven is operated under high humidity condition. And it is normal.
7. It is occasionally necessary to remove the glass tray for cleaning. Wash the tray in warm sudsy water or in a dishwasher.
8. The roller ring and oven floor should be cleaned regularly to avoid excessive noise. Simply wipe the bottom surface of the oven with mild detergent. The roller ring may be washed in mild, soapy water or in a dishwasher. When removing the roller ring, be sure to replace it in the proper position.
9. Remove odors from your oven by combining a cup of water with the juice and skin of one lemon in a microwaveable bowl. Microwave for 5 minutes. Wipe thoroughly and dry with a soft cloth.
10. If the light bulb burns out, please contact customer service to have it replaced.
11. The oven should be cleaned regularly and any food deposits should be removed. Failure to maintain the oven in a clean condition could lead to deterioration of surface that could adversely affect the life of the unit and could possibly result in a hazardous situation.
12. Please do not dispose of this appliance into the domestic rubbish bin; it should be disposed to the particular disposal center provided by the municipalities.