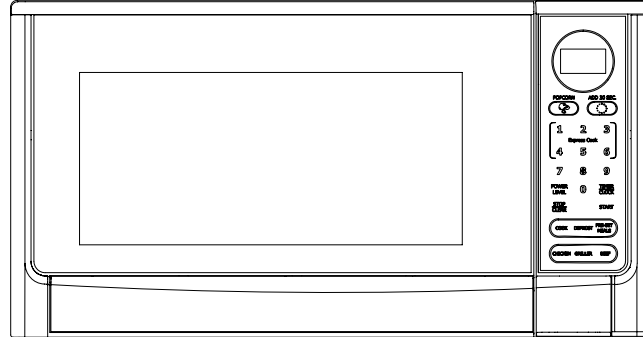


Model: D110N38APII-YZ



Microwave Oven User's manual

Please read these instructions carefully before installing and operating the oven.

Record in the space below the SERIAL NO. found on the nameplate on your oven and retain this information for future reference.

Please save sales receipt for warranty.

SERIAL NO.

Please save sales receipt for warranty.

This equipment generates, uses and can radiate radio frequency energy and, if not installed and used in accordance with the instructions, may cause harmful interference to radio communications. However, there is no guarantee that interference will not occur in a particular installation. If this equipment does cause harmful interference to radio or television reception, which can be determined by turning the equipment off and on, the user is encouraged to try to correct the interference by one or more of the following measures:

- Reorient or relocate the receiving antenna.
- Increase the separation between the equipment and receiver.
- Connect the equipment into an outlet on a circuit different from that to which the receiver is connected.
- Consult the dealer or an experienced radio/TV technician for help

					说明书 D110N38APII-YZ				JS1M0609-19882-004			
标记	处数	更改单号	签字	日期								
设计	王少云	标准化	谭银珠		图样	标记	数量	重量	比例			
校对		审定	王宇国		S	A			1:1			
审核	王少云							广东格兰仕微波炉电器制造有限公司				
工艺		日期	2013-04-25		共 17 页		第 1 页					

PRECAUTIONS TO AVOID POSSIBLE EXPOSURE TO EXCESSIVE MICROWAVE ENERGY

1. Do not attempt to operate this oven with the door-open since open-door operation can result in harmful exposure to microwave energy. It is important not to defeat or tamper with the safety interlocks.
2. Do not place any object between the oven front face and the door or allow soil or cleaner residue to accumulate on sealing surfaces.
3. Do not operate the oven if it is damaged. It is particularly important that the oven door close properly and that there is no damage to the:
 - a. Door (bent),
 - b. Hinges and latches (broken or loosened),
 - c. Door seals and sealing surfaces.
4. The oven should not be adjusted or repaired by anyone except properly qualified service personnel.

CONTENT

PRECAUTIONS TO AVOID POSSIBLE EXPOSURE TO EXCESSIVE MICROWAVE ENERGY 2

IMPORTANT SAFETY INSTRUCTIONS3

INSTALLATION GUIDE.....5

GROUNDING INSTRUCTIONS.....5

UTENSILS GUIDE6

COOKING TECHNIQUES.....7

SPECIFICATIONS8

PART NAMES9

CONTROL PANEL10

HOW TO SET THE OVEN CONTROLS 11

Setting the clock..... 11

Setting the timer 11

Microwave cooking 11

Expree cook12

Add 30 sec.12

Griller cooking12

Weight defrost.....13

Auto cook13

Multi-stage cooking14

Pre-Set Meals14

Child lock15

CLEANING AND CARE16

						说明书 D110N38APII-YZ			JS1M0609-19882-004		
标记	处数	更改单号	签字	日期							
设计	王少云	标准化	谭银珠				图样标记	数量	重量	比例	广东格兰仕微波炉电器制造有限公司
校对			审定	王宇国	S	A			1:1		
审核	王少云										
工艺			日期	2013-04-25	共 17 页			第 2 页			

- utensil.
14. Do not cover or block any openings on the appliance.
 15. Do not store or use this appliance outdoors. Do not use this product near water, for example, near a kitchen sink, in a wet basement, near a swimming pool, or similar locations.
 16. Do not operate this appliance if it has a damaged cord or a plug, if it is not working properly or if it has been damaged or dropped.
 17. Do not immerse cord or plug in water. Keep cord away from heated surface. Do not let cord hang over edge of table or counter.
 18. Use only thermometers, which are

- specifically designed for use in microwave ovens.
19. Do not operate any heating or cooking appliance beneath this appliance.
20. Be certain the glass tray and roller rings are in place when you operate the oven.
21. This appliance should be serviced only by qualified service personnel, contact nearest authorized service facility for examination, repair, or adjustment.
22. When cleaning surfaces of door and oven that comes together on closing the door, use only mild, nonabrasive soaps, or detergents applied with a sponge or soft cloth.

					说明书 D110N38APII-YZ				JS1M0609-19882-004					
标记	处数	更改单号	签字	日期										
设计	王少云	标准化	谭银珠	图样标记	数量	重量	比例	广东格兰仕微波炉电器制造有限公司						
校对		审定	王宇国	S	A		1:1							
审核	王少云													
工艺		日期	2013-04-25	共 17 页		第 4 页								

INSTALLATION GUIDE

1. Make sure that all the packing materials are removed from the inside of the door.
2. Check the oven for any damage, such as misaligned or bent door, damaged door seals and sealing surface, broken or loose door hinges and latches and dents inside the cavity or on the door. If there is any damage, do not operate the oven but contact qualified service personnel.
3. This microwave oven must be placed on a flat, stable surface to hold its weight and the heaviest food likely to be cooked in the oven.
4. Do not place the oven where heat, moisture, or high humidity are generated, or near combustible materials.
5. For correct operation, the oven must have sufficient airflow. Allow 20cm of space above the oven, 10cm at back and 5cm at both sides. Do not cover or block any openings on the appliance. Do not remove feet on which oven stands.
6. The appliance shall be only used on a countertop over 3 feet above the floor.
7. Do not operate the oven without glass tray, roller support, and shaft in their proper positions.
8. Make sure that the power supply cord is undamaged and does not run under the oven or over any hot or sharp surface.
9. The socket must be readily accessible so that it can be easily unplugged in an emergency.

GROUNDING INSTRUCTIONS

This appliance must be grounded. In the event of an electrical short circuit, grounding reduces risk of electric shock by providing an escape wire for the electric current.

WARNING Improper use of the grounding plug can result in a risk of electric shock.

Consult a qualified electrician or serviceman if the grounding instructions are not completely understood, or if doubt exists as to whether the appliance is properly grounded, and either:

- 1) If it is necessary to use an extension cord, use only a 3-wire extension cord that has a 3-blade grounding plug and a 3-slot receptacle that will accept the plug on the appliance. The marked rating of the extension cord shall be equal to or greater than the electrical rating of the appliance, or
- 2) Do not use an extension cord. If the power supply cord is too short, have a qualified electrician or serviceman install an outlet near the appliance.

					说明书 D110N38APII-YZ				JS1M0609-19882-004				
标记	处数	更改单号	签字	日期									
设计	王少云	标准化	谭银珠	图样标记		数量	重量	比例					
校对		审定	王宇国	S	A			1:1		广东格兰仕微波炉电器制造有限公司			
审核	王少云												
工艺		日期	2013-04-25		共 17 页		第 5 页						

ELECTRICAL REQUIREMENTS

The electrical requirements are a 120 volt 60 Hz, AC only, 20 amp. It is recommended that a separate circuit serving only the oven be provided. The oven is equipped with a 3-prong grounding plug. It must be plugged into a wall receptacle that is properly installed and grounded.

Power Supply Cord

1. A short power supply cord is provided to reduce the risks resulting from becoming entangled in or tripping over a longer cord.
2. Longer cord sets or extension cords are available and may be used if care is exercised in their use.
3. If long cord or extension cord is used:
 - a) The marked electrical rating of the cord set or extension cord should be at least as great as the electrical rating of the appliance.
 - b) The extension cord must be a

grounding-type 3-wire cord, and The longer cord should be arranged so that it will not drape over the counter top or table top where it can be pulled on by children or tripped over unintentionally.

Notes:

If you have any questions about the grounding or electrical instructions, consult a qualified electrician or service person.

Neither Galanz nor the dealer can accept any liability for damage to the oven or personal injury resulting from failure to observe the electrical connection procedures.

Radio or TV Interference

Should there be any interference caused by the microwave oven to your radio or TV, check that the microwave oven is on a different circuit, relocated the radio or TV as far away from the oven as feasible or check position and signal of receiving antenna.

UTENSILS GUIDE

This section lists which utensils can be used in the microwave, which ones have limited use for short periods, and which ones should not be used in the microwave.



RECOMMENDED

Microwave browning dish — Use to brown the exterior of small items such as steaks, chops, or pancakes. Follow the directions provided with your browning dish.

Microwaveable plastic wrap — Use to retain

steam. Leave a small opening for some steam to escape and avoid placing it directly on the food.

Paper towels and napkins — Use for short-term heating and covering; these absorb excess moisture and prevent spattering. Do not use recycled paper towels, which may contain metal and could ignite.

Glass and glass-ceramic bowls and dishes — Use for heating or cooking.

Paper plates and cups — Use for short-term heating at low temperatures. Do not use recycled paper, which may contain metal and

					说明书 D110N38APII-YZ				JS1M0609-19882-004	
标记	处数	更改单号	签字	日期						
设计	王少云	标准化	谭银珠	图样标记	数量	重量	比例			
校对		审定	王宇国	S	A		1:1			
审核	王少云							广东格兰仕微波炉电器制造有限公司		
工艺		日期	2013-04-25	共 17 页		第 6 页				

could ignite.

Wax paper — Use as a cover to prevent spattering.

Thermometers — Use only those labeled "Microwave Safe" and follow all directions. Check the food in several places. Conventional thermometers may be used on microwave food once the food has been removed from the oven.

A LIMITED USE

Aluminum foil — Use narrow strips of foil to prevent overcooking of exposed areas. Using too much foil can damage your oven, so be careful. You should keep distance of 1 inch (2.54cm) between aluminum foil and cavity.

Ceramic, porcelain, and stoneware— Use these if they are labeled "Microwave Safe". If they are not labeled, test them to make sure they can be used safely.

Plastic — Use only if labeled "Microwave Safe".

Other plastics can melt.

✘ Not Recommended

Glass jars and bottles — Regular glass is too thin to be used in a microwave. It can shatter and cause damage and injury.

Paper bags — These are a fire hazard, except for popcorn bags that are designed for microwave use.

Styrofoam plates and cups — These can melt and leave an unhealthy residue on food.

Plastic storage and food containers — Containers such as margarine tubs can melt in the microwave.

Metal utensils — These can damage your oven. Remove all metal before cooking.

Note:

Should you wish to check if a dish is safe for microwaving, place the empty dish in the oven and microwave on HIGH for 30 seconds. A dish which becomes very hot should not be used.

COOKING TECHNIQUES

Your microwave makes cooking easier than conventional cooking, provided you keep these considerations in mind:

STIRRING

Stir foods such as casseroles and vegetables while cooking to distribute heat evenly. Food at the outside of the dish absorbs more energy and heats more quickly, so stir from the outside to the center. The oven will turn off when you open the door to stir your food.

ARRANGEMENT

Arrange unevenly shaped foods, such as chicken pieces or chops, with the thicker, meatier parts toward the outside of the turntable where they receive more microwave energy. To prevent overcooking, place delicate areas, such as asparagus tips, toward the center of the turntable.

SHIELDING

Shield food with narrow strips of aluminum foil to prevent overcooking. Areas that need shielding include poultry wing tips, the ends of poultry legs, and corners of square baking dishes. Use only small amounts of aluminum foil. Larger amounts

					说明书 D110N38APII-YZ				JS1M0609-19882-004	
标记	处数	更改单号	签字	日期						
设计	王少云	标准化	谭银珠	图样标记	数量	重量	比例			
校对		审定	王宇国	S	A		1:1			
审核	王少云						广东格兰仕微波炉电器制造有限公司			
工艺		日期	2013-04-25	共 17 页		第 7 页				

can damage your oven.

TURNING

Turn foods over midway through cooking to expose all parts to microwave energy. This is especially important with large foods such as roasts.

STANDING

Foods cooked in the microwave build up internal heat and continue to cook for a few minutes after heating stops. Let foods stand to complete cooking, especially foods such as cakes and whole vegetables. Roasts need this time to complete cooking in the center without

overcooking the outer areas. All liquids, such as soup or hot chocolate, should be shaken or stirred when cooking is complete. Let liquids stand a moment before serving. When heating baby food, stir well at removal and test the temperature before serving.

ADDING MOISTURE

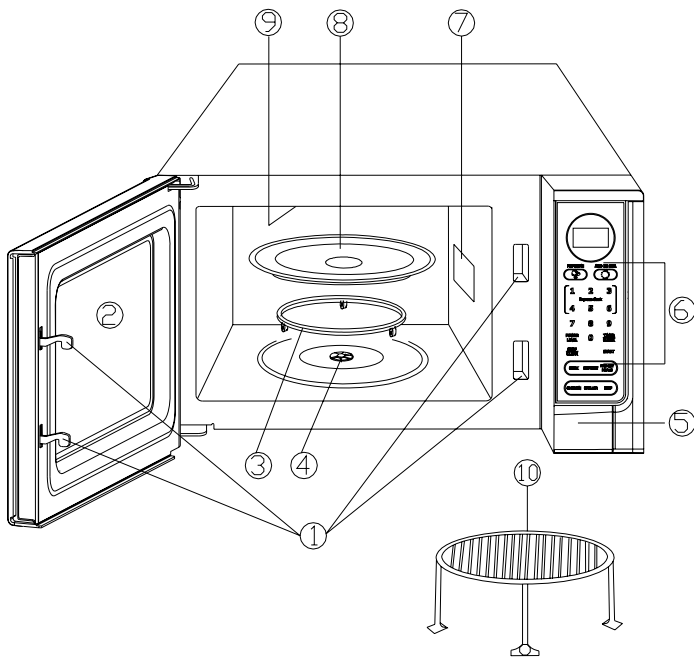
Microwave energy is attracted to water molecules. Food that is uneven in moisture content should be covered or allowed to stand so that the heat disperses evenly. Add a small amount of water to dry food to help it cook.

SPECIFICATIONS

Power Consumption:	120V~60Hz, 1600W (Microwave) 1050(Grill)
Output:	1100W
Operation Frequency:	2450MHz
Outside Dimensions(H×W×D):	11.8×21.3×22 in.
Oven Cavity Dimensions(H×W×D):	9.4×14.8×15.9in.
Oven Capacity:	1.34cu.ft
Cooking Uniformity:	Turntable System
Net Weight:	Approx. 39.7lb.

					<p>说明书 D110N38APII-YZ</p>				<p>JS1M0609-19882-004</p>			
											<p>图样标记</p>	
标记	处数	更改单号	签字	日期					<p>S A</p>			
设计	王少云	标准化	谭银珠									
校对		审定	王宇国		<p>广东格兰仕微波炉电器制造有限公司</p>							
审核	王少云											
工艺		日期	2013-04-25							<p>共 17 页</p>		<p>第 8 页</p>

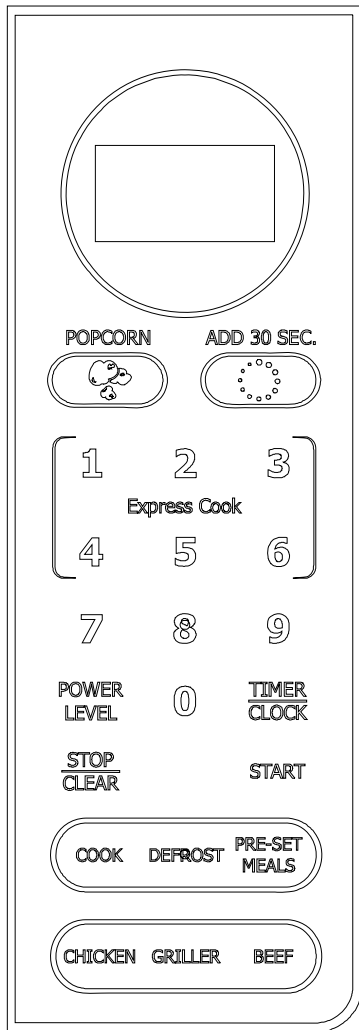
PART NAMES



- 1. Door Safety Lock System
- 2. Oven Window
- 3. Roller Ring
- 4. Shaft
- 5. Button
- 6. Control Panel
- 7. Microwave Vent
- 8. Glass Tray
- 9. Grill Heater
- 10. Metal Rack

					说明书 D110N38APII-YZ				JS1M0609-19882-004	
标记	处数	更改单号	签字	日期						
设计	王少云	标准化	谭银珠	图样标记	数量	重量	比例	广东格兰仕微波炉电器制造有限公司		
校对		审定	王宇国	S	A		1:1			
审核	王少云									
工艺		日期	2013-04-25	共 17 页	第 9 页					

CONTROL PANEL



- MENU ACTION SCREEN
Cooking time, power, action indicators, and clock time are displayed.
- ADD 30 SEC.
Overtime, time increasing input codes every buttons for 30 seconds
- NUMBER PADS
Touch to set clock, cooking time or enter food weight.
- EXPREE COOK
Directly in standby mode, press the number "1~6" key once, the corresponding system direct start cooking time respectively 1, 2, 3, 4, 5, 6
- POWER LEVEL
Touch once or repeatedly to set microwave cooking power.
- TIMER/CLOCK
Touch to set timer or the digital clock.
- STOP/CLEAR
Touch to clear entry before setting a cooking program
Touch once to temporarily stop cooking or twice to cancel cooking.
Touch and hold to set child lock.
- START
Touch to start a program
- COOK
Touch to set microwave function.
- DEFROST
Defrost function.
- PRE-SET MEALS
Preset function must be set first cooking program, and then set the preset time, the clock arrived at set time, cooking program automatically.
- GRILLER
Touch to set griller function.
- AUTO MENU BUTTONS
POPCORN, CHICKEN, BEEF

					说明书 D110N38APII-YZ				JS1M0609-19882-004	
标记	处数	更改单号	签字	日期						
设计	王少云	标准化	谭银珠		图样标记	数量	重量	比例		
校对		审定	王宇国		S	A		1:1	广东格兰仕微波炉电器制造有限公司	
审核	王少云									
工艺		日期	2013-04-25		共 17 页		第 10 页			

HOW TO SET THE OVEN CONTROLS

- During cooking program, press STOP/CLEAR pad to pause the program, then press START to resume. Press STOP /CANCEL pad twice to cancel the program.
- End will display with beeps to remind the program is over, and it will sound every two minutes until you press STOP/CLEAR pad or open the door.

SETTING THE CLOCK

The clock works in 12 or 24 hour cycle. For example: to set the time of 8:30.

1. Hold down the TIMER/CLOCK button.
2. Touch TIMER/CLOCK button once or twice to set 12 or 24 hour cycle.
3. Touch number pads to set the clock time.
4. Touch TIMER/CLOCK button to confirm.

Note: You can check the clock time during cooking by touching the TIMER/CLOCK button.

SETTING THE TIMER

The countdown longest time is 99 minutes and 99 seconds.

1. Touch TIMER/CLOCK button once.
2. Use the number pads to enter time.
3. Press TIMER/CLOCK pad to start timer.

NOTE:

1. When the countdown ends, the buzzer will beep to remind you.
2. If you want to cancel the timer, Touch TIMER/CLOCK button once, press Hold down the TIMER/CLOCK button for 3 seconds.

MICROWAVE COOKING

To cook with microwave, time and power level should be set. The longest cooking time to be set by touching the number pads is 99 min. 99 sec.

Suppose you want to cook for 5 minutes at 60% of microwave power.

					说明书 D110N38APII-YZ				JS1M0609-19882-004					
标记	处数	更改单号	签字	日期										
设计	王少云	标准化	谭银珠	图样标记			数量	重量	比例	广东格兰仕微波炉电器制造有限公司				
校对		审定	王宇国	S	A			1:1						
审核	王少云													
工艺		日期	2013-04-25	共 17 页			第 11 页							

1. Touch COOK button.
2. Touch number pads to set cooking time.
3. Touch POWER LEVEL button.
4. Touch number pads to set the power level.
5. Touch START button.

Note: During the cooking process by "POWER LEVEL" button to display the current cooking fire for 10 seconds, at this point you can press the number "0 ~ 9" key again to adjust the microwave power level.

Touch number pads	Power Level	Display
1,0	100%	PL10
9	90%	PL-9
8	80%	PL-8
7	70%	PL-7
6	60%	PL-6
5	50%	PL-5
4	40%	PL-4
3	30%	PL-3
2	20%	PL-2
1	10%	PL-1

EXPREE COOK

Directly in standby mode, press the number "1~6" key once, the corresponding system direct start cooking time respectively 1 min, 2 min, 3 min, 4 min, 5 min and 6 min.

ADD 30 SEC.

In standby mode, press the "Add 30 SEC" key input cooking time (time increasing input codes every buttons for 30 seconds, the longest overtime to "99:59"), the system automatically start the cooking program began to countdown, 100% use microwave firepower.

(to be automatic menu in the cooking process, according to the weight to thaw exception), press "Add 30 SEC" key can be overtime

GRILLER COOKING

The longest cooking time is 99 min, 99 sec.

Suppose you want to grill for 12 minutes.

					<p>说明书 D110N38APII-YZ</p>				<p>JS1M0609-19882-004</p>		
标记	处数	更改单号	签字	日期							
设计	王少云		标准化	谭银珠	图样标记	数量	重量	比例			
校对			审定	王宇国	S	A			1:1		
审核	王少云								<p>广东格兰仕微波炉电器制造有限公司</p>		
工艺			日期	2013-04-25	共 17 页		第 12 页				

1. Touch GRILLER button once.
2. Touch number pads to set cooking time.
3. Touch START button.

WEIGHT DEFROST

The oven allows the defrosting of meat, poultry, and seafood. The time and the defrosting power are adjusted automatically once the weight of food is programmed. Weight: 1 Oz ~ 4 LB.

Suppose you want to defrost 1 LB 12 OZ meat.

1. Place food to be defrosted into the oven.
2. Touch DEFROST once.
3. Touch number pad "1" to enter weight 1 LB.
4. Press START button once.
5. Touch number pad "1" and "2" to enter weight 12 OZ.
6. Press START button.

Note: During defrosting program, the system will sound beeps and pause to remind you to turn over the food, after that, press START to resume defrosting.

AUTO COOK

POPCORN (3.5OZ)

1. Press POPCORN pad once.
2. Press START pad to start.

CHICKEN

1. Press CHICKEN pad to select weight.

Press CHICKEN pad	Weight
Once	28 OZ
Twice	36 OZ
Thrice	42 OZ
4 times	50 OZ

2. Press START pad to start.

Note: During cooking program, the system will sound beeps and pause to remind you to turn over the food, after that, press START to resume defrosting.

BEEF

1. Press BEEF pad to select weight.

					说明书 D110N38APII-YZ				JS1M0609-19882-004			
标记	处数	更改单号	签字	日期								
设计	王少云	标准化	谭银珠		图样标记	数量	重量	比例				
校对		审定	王宇国		S	A		1:1				
审核	王少云								广东格兰仕微波炉电器制造有限公司			
工艺		日期	2013-04-25		共 17 页		第 13 页					

Press BEEF pad	Weight
Once	7 OZ
Twice	11 OZ
Thrice	14 OZ
4 times	18 OZ
5 times	21 OZ

2. Press START pad to start.

Note: During cooking program, the system will sound beeps and pause to remind you to turn over the food, after that, press START to resume defrosting.

MULTI-STAGE COOKING

The microwave oven can set 2 period of microwave cooking program
Suppose you want set the following cooking program:

Paragraph 1: Microwave and power level cooking (2 minutes at 100%);

Paragraph 2: Microwave and power level cooking (5 minutes at 60%);

1. Press STOP/CLEAR pad to reset the oven.

Paragraph 1:

2. Touch COOK button.
3. Touch number pads to set cooking time 2:00.
4. Touch POWER LEVEL button.
5. Touch number pads 1 and 0 to set the power level 100%.

Paragraph 2:

6. Touch COOK button.
7. Touch number pads to set cooking time 5:00.
8. Touch POWER LEVEL button.
9. Touch number pads 6 to set the power level 60%.
10. Press START pad to start.

Note: Quick Start , Weight Defrost and Auto Cook can't be set in the multistage cooking program.

PRE-SET MEALS

Preset function allows the oven to start in a later time. Suppose now it is 11:10 and you want the oven to start cooking at 11:30.

1. Set a cooking program
2. Touch PRE-SET pad.
3. Use the number pads to enter the time 11:30 when it should start.
4. Touch START pad.

					说明书 D110N38APII-YZ				JS1M0609-19882-004					
标记	处数	更改单号	签字	日期					图样标记					
设计	王少云	标准化	谭银珠									S	A	
校对		审定	王宇国		共 17 页			第 14 页			广东格兰仕微波炉电器制造有限公司			
审核	王少云													
工艺		日期	2013-04-25											

Note: Make sure that the food is placed into the oven in advance before any cooking starts.

CHILD LOCK

Use to prevent unsupervised operation of the oven by little children. The CHILD LOCK indicator will show on display screen, and the oven cannot be operated while the CHILD LOCK is set.

To set the CHILD LOCK: Press and hold the STOP/CANCEL button for 3 seconds, a beep sounds and LOCK indicator lights.

To cancel the CHILD LOCK: Press and hold the STOP/CANCEL button for 3 seconds until lock indicator on display turns off.

					说明书 D110N38APII-YZ				JS1M0609-19882-004		
标记	处数	更改单号	签字	日期							
设计	王少云	标准化	谭银珠	图样标记	数量	重量	比例	广东格兰仕微波炉电器制造有限公司			
校对		审定	王宇国	S	A		1:1				
审核	王少云										
工艺		日期	2013-04-25	共 17 页		第 15 页					

CLEANING AND CARE

1. Turn off the oven and remove the power plug from the wall socket before cleaning.
2. Keep the inside of the oven clean. When food splatters or spilled liquids adhere to oven walls, wipe with a damp cloth. Mild detergent may be used if the oven gets very dirty. Avoid the use of spray and other harsh cleaners as they may stain, streak or dull the door surface.
3. The outside surfaces should be cleaned with a damp cloth. To prevent damage to the operating parts inside the oven, water should not be allowed to seep into the ventilation openings.
4. Wipe the door and window on both sides, the door seals and adjacent parts frequently with a damp cloth to remove any spills or splatters. Do not use abrasive cleaner.
5. Do not allow the control panel to become wet. Clean with a soft, damp cloth. When cleaning the control panel, leave oven door open to prevent oven from accidentally turning on.
6. If steam accumulates inside or around the outside of the oven door, wipe with a soft cloth. This may occur when the microwave oven is operated under high humidity condition. And it is normal.
7. It is occasionally necessary to remove the glass tray for cleaning. Wash the tray in warm sudsy water or in a dishwasher.
8. The roller ring and oven floor should be cleaned regularly to avoid excessive noise. Simply wipe the bottom surface of the oven with mild detergent. The roller ring may be washed in mild sudsy water or dishwasher. When removing the roller ring from cavity floor for cleaning, be sure to replace in the proper position.
9. Remove odors from your oven by combining a cup of water with the juice and skin of one lemon in a deep microwaveable bowl, microwave for 5 minutes. Wipe thoroughly and dry with a soft cloth.
10. When it becomes necessary to replace the oven light, please consult a dealer to have it replaced.
11. The oven should be cleaned regularly and any food deposits removed. Failure to maintain the oven in a clean condition could lead to deterioration of the surface that could adversely affect the life of the appliance and possibly result in a hazardous situation.
12. Please do not dispose this appliance into the domestic rubbish bin, it should be disposed to the particular disposal center provided by the municipalities.
13. When the microwave oven with grill function is first used, it may produce slight smoke and smell. This is a normal

					说明书 D110N38APII-YZ				JS1M0609-19882-004		
标记	处数	更改单号	签字	日期							
设计	王少云	标准化	谭银珠	图样标记		数量	重量	比例			
校对		审定	王宇国	S	A			1:1	广东格兰仕微波炉电器制造有限公司		
审核	王少云			共 17 页		第 16 页					
工艺		日期	2013-04-25								

phenomenon because the oven is made of a steel plate coated with lubricating oil, and the new oven will produce fumes and odor generated by burning the lubricating oil.

This phenomenon will disappear after a period of using.

					说明书 D110N38APII-YZ				JS1M0609-19882-004		
标记	处数	更改单号	签字	日期							
设计	王少云	标准化	谭银珠	图样标记	数量	重量	比例	广东格兰仕微波炉电器制造有限公司			
校对		审定	王宇国	S	A		1:1				
审核	王少云										
工艺		日期	2013-04-25	共 17 页	第 17 页						