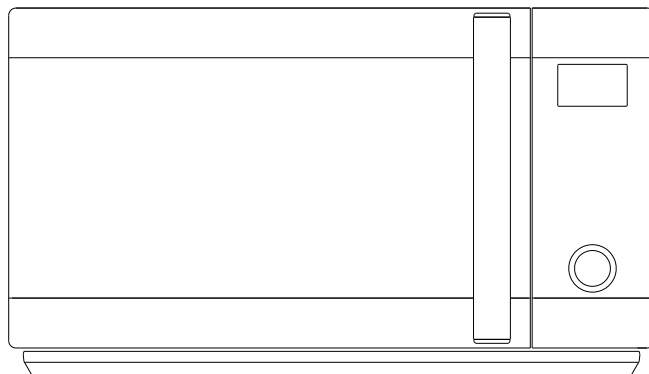


Microwave Oven Instructions



Model: D10043MSLR11HV-WA

Please read these instructions carefully before installing and operating the oven.

技术要求：欧盟 ROHS2.0 指令要求规定的 10 种有害物质的含量符合 ROHS2.0 指令要求。

					说明书 CSD430WAH-SACCOA (D10043MSLR11HV-WA)				JS1M0609-23588-004-(0)	
标记	处数	更改单号	签字	日期						
设计	李胜海	标准化	关业红		图样标记	数量	重量	比例		
校对		审定	李丰		S	A		1:1		
审核	杨瑞其								广东格兰仕微波生活 电器制造有限公司	
工艺		日期	2019-6-22	共 16 页		第 / 页				

PRECAUTIONS TO AVOID POSSIBLE EXPOSURE TO EXCESSIVE MICROWAVE ENERGY

1. Do not attempt to operate this oven with the door open since open-door operation can result in harmful exposure to microwave energy. It is important not to defeat or tamper with the safety interlocks.
2. Do not place any object between the oven front face and the door or allow soil or cleaner residue to accumulate on sealing surfaces.
3. Do not operate the oven if it is damaged. It is very important that the oven door close properly and that there is no damage to the
 - a) Door (including any bents),
 - b) Hinges and latches (broken or loosened),
 - c) Door seals and sealing surfaces.
4. The oven should not be adjusted or repaired by anyone except qualified service personnel.

Content

PRECAUTIONS TO AVOID POSSIBLE EXPOSURE TO EXCESSIVE MICROWAVE ENERGY	1
CONTENT	1
IMPORTANT SAFETY INSTRUCTIONS	2
GROUNDING INSTRUCTIONS	4
INSTALLATION GUIDE.....	4
COOKING UTENSILS GUIDE	5
SPECIFICATIONS	6
PART NAMES	6
CONTROL PANEL.....	7
OPERATION INSTRUCTIONS.....	8
SETTING THE CLOCK.....	8
TIMER FUNCTION.....	8
EXPRESS COOKIING.....	8
+30 SEC FUNCTION	8
MICROWAVE COOKING	9
CONVECTION	9
MICROWAVE+CONVECTION	9
TIME DEFROST	10
WEIGHT DEFROST	10
AIR FRY.....	11
AUTO BAKE.....	11
AUTO ROAST.....	12
SENSOR COOK	12
SENSOR REHEAT.....	13
POPCORN.....	13
CHILD LOCK	13
TURNTABLE	13
AUTOMATIC PROTECTION MECHANISM.....	14
CLEANING AND CARE	15

IMPORTANT SAFETY INSTRUCTIONS

WARNING!--To reduce the risk of burns, electric shock, fire, injury to persons or exposure to excessive microwave energy:

1. Read all instructions before using the appliance.
2. Read and follow the specific "PRECAUTIONS TO AVOID POSSIBLE EXPOSURE TO EXCESSIVE MICROWAVE ENERGY" on page 1.
3. This appliance must be grounded. Connect only to properly grounded outlet. See "GROUNDING INSTRUCTIONS" on page 4.
4. Install or locate this appliance only in accordance with the provided installation instructions.
5. Do not operate the oven when empty.
6. Some products such as whole eggs and sealed containers -for example, closed glass jars- are able to explode and should not be heated in this oven.
7. Use this appliance only for its intended use as described in this manual. Do not use corrosive chemicals or vapors in this appliance. This type of oven is specifically designed to heat, cook, or dry food. It is not designed for industrial or laboratory use.
8. As with any appliance, close supervision is necessary when used by children.
9. To reduce the risk of fire in the oven cavity:
 - a) Do not overcook food. Carefully attend appliance when paper, plastic, or other combustible materials are placed inside the oven to facilitate cooking.
 - b) Remove wire twist-ties from paper or plastic bags before placing bag in oven.
 - c) If materials inside the oven should ignite, keep oven door closed, turn oven off, and disconnect the power cord or shut off power at the fuse or circuit breaker panel.
 - d) Do not use the cavity for storage purposes. Do not leave paper products, cooking utensils or food in the cavity when not in use.
10. Liquids, such as water, coffee, or tea are able to be overheated beyond the boiling point without appearing to be boiling due to surface tension of the liquid. Visible bubbling or boiling when the container is removed from the microwave oven is not always present. **THEIS COULD RESULT IN VERY HOT LIQUIDS SUDDENLY BOILING OVER WHEN A SPOON OR OTHER UTENSIL IS INSERTED INTO THE LIQUID.** To reduce the risk of injury to person:
 - a) Do not overheat the liquid.
 - b) Stir the liquid both before and halfway through heating it.
 - c) Do not use straight-sided containers with narrow necks.
 - d) After heating, allow the container to stand in the microwave oven for a short time before removing the container.
 - e) Use extreme care when inserting a spoon or other utensil into the container.
11. Do not heat oil or fat for deep-frying. It is difficult to control the temperature of oil in microwave oven.
12. Do not cover or block any openings on the appliance.
13. Do not store or use this appliance outdoors. Do not use this product near water, for

example, near a kitchen sink, in a wet basement, near a swimming pool, or similar locations.

14. Do not operate this appliance if it has a damaged cord or a plug, if it is not working properly or if it has been damaged or dropped.
15. Do not immerse cord or plug in water. Keep cord away from heated surface. Do not let cord hang over edge of table or counter.
16. This appliance should be serviced only by qualified service personnel, contact nearest authorized service facility for examination, repair, or adjustment.
17. When cleaning surfaces of door and oven that comes together on closing the door, use only mild, nonabrasive soaps, or detergents applied with a sponge or soft cloth.
18. Oversized food or oversized metal utensils should not be inserted in a microwave/toaster oven as they may create a fire or risk of electric shock.
19. Do not clean with metal scouring pads. Pieces can burn off the pad and touch electrical parts involving a risk of electric shock.
20. Do not use paper products when appliance is operated in the toaster mode.
21. Do not store any materials, other than manufacturer's recommended accessories, in this oven when not in use.
22. Do not cover racks or any other part of the oven with metal foil. This will cause overheating of the oven.
23. This equipment has been tested and found to comply with Part 18 of the FCC Rules. Operation is subject to the following two conditions: (1) This device may not cause harmful interference, and (2) this device must accept any interference received, including interference that may cause undesired operation.
CAUTION: Changes or modifications not expressly approved by the party responsible for compliance could void the user's authority to operate the product.
24. This equipment generates, uses and can radiate radio frequency energy and, if not installed and used in accordance with the instructions, may cause harmful interference to radio communications. However, there is no guarantee that interference will not occur in a particular installation. If this equipment does cause harmful interference to radio or television reception, which can be determined by turning the equipment off and on, the user is encouraged to try to correct the interference by one or more of the following measures:
 - Reorient or relocate the receiving antenna.
 - Increase the separation between the equipment and receiver.
 - Connect the equipment into an outlet on a circuit different from that to which the receiver is connected.
 - Consult the dealer or an experienced radio/TV technician for help.

SAVE THESE INSTRUCTIONS

GROUNDING INSTRUCTIONS

This appliance must be grounded. In the event of an electrical short circuit, grounding reduces risk of electric shock by providing an escape wire for the electric current. This appliance is equipped with a cord having a grounding wire with a grounding plug. The plug must be plugged into an outlet that is properly installed and grounded.

WARNING!-- Improper use of the grounding plug can result in a risk of electric shock.

Consult a qualified electrician or serviceman if the grounding instructions are not completely understood, or if doubt exists as to whether the appliance is properly grounded, and if it is necessary to use an extension cord, use only a 3-wire extension cord that has a 3-blade grounding plug and a 3-slot receptacle that will accept the plug on the appliance. The marked rating of the extension cord shall be equal to or greater than the electrical rating of the appliance.

Electrical Requirements

The electrical requirements are a 120 volt 60 Hz, AC only, 20 amp. It is recommended that a separate circuit serving only the oven be provided. The oven is equipped with a 3-prong grounding plug. It must be plugged into a wall outlet properly installed and grounded.

Power Cord

1. A short power supply cord is provided to reduce the risks resulting from becoming entangled in or tripping over a longer cord.
2. Longer cord sets or extension cords are available and may be used if care is exercised in their use.
3. If long cord or extension cord is used:
 - a) The marked electrical rating of the cord set or extension cord should be at least as great as the electrical rating of the appliance.
 - b) The extension cord must be a grounding-type 3-wire cord, and The longer cord should be arranged so that it will not drape over the counter top or table top where it can be pulled on by children or tripped over unintentionally.

Installation Guide

1. Make sure that all the packing materials are removed from the inside of the door.
2. This microwave oven must be placed on a flat.
3. For correct operation, the oven must have sufficient airflow. Allow minimum 20cm of free space necessary above the top surface of the oven and 5cm at both sides. The microwave oven rear plate must be placed close to the wall. Do not cover or block any openings on the appliance. Do not remove feet.
4. The appliance shall be only used on a countertop over 3 feet(914mm) above the floor.
5. Do not operate the oven without glass tray, roller support, and shaft in their proper positions.
6. Make sure that the power cord is undamaged and does not run under the oven or over any hot or sharp surface.
7. The socket must be readily accessible so the microwave oven can be easily unplugged in an

emergency.

Cooking Utensils Guide

This section lists which utensils can be used in this microwave, which have limited use for short periods, and which should not be used in this microwave.

RECOMMENDED

Microwave browning dish — Use to brown the exterior of small items such as steaks, chops, or pancakes. Follow the directions provided with your browning dish.

Microwaveable plastic wrap — Use to retain steam. Leave a small opening for some steam to escape and avoid placing it directly on the food.

Paper towels and napkins — Use for short-term heating and covering; these absorb excess moisture and prevent spattering. Do not use recycled paper towels, which may contain metal and could ignite.

Glass and glass-ceramic bowls and dishes — Use for heating or cooking.

Paper plates and cups — Use for short-term heating at low temperatures. Do not use recycled paper, which may contain metal and could ignite.

Wax paper — Use as a cover to prevent spattering.

Thermometers — Use only those labeled "Microwave Safe" and follow all directions. Check the food in several places. Conventional thermometers may be used on microwave food once the food has been removed from the oven.

LIMITED USE

Aluminum foil — Use narrow strips of foil to prevent overcooking of exposed areas. Using too much foil can damage your oven, so be careful. You should keep distance of 1 inch (2.54cm) between aluminum foil and cavity.

Ceramic, porcelain, and stoneware— Use these if they are labeled "Microwave Safe". If they are not labeled, test them to make sure they can be used safely.

Plastic — Use only if labeled "Microwave Safe". Other plastics can melt.

NOT RECOMMENDED

Glass jars and bottles — Regular glass is too thin to be used in a microwave. It can shatter and cause damage and injury.

Paper bags — These are a fire hazard, except for popcorn bags that are designed for microwave use.

Styrofoam plates and cups — These can melt and leave an unhealthy residue on food.

Plastic storage and food containers — Containers such as margarine tubs can melt in the microwave.

Metal utensils — These can damage your oven. Remove all metal before cooking.

Note:

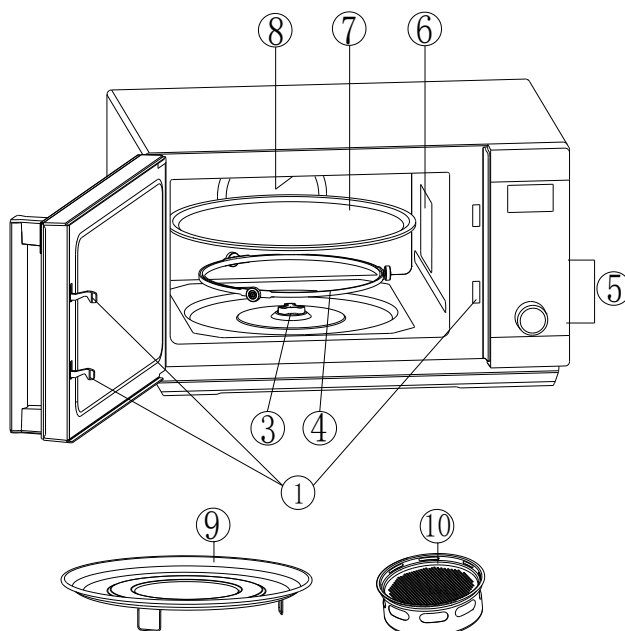
Should you wish to check if a dish is safe for microwaving, place the empty dish in the oven and microwave on HIGH for 30 seconds. A dish which becomes very hot should not be used.

Specifications

Power Supply	120V/60Hz
Power Consumption (Microwave)	1450W
Power Consumption (Grill)	1350W
Power Consumption (Convection)	1450W
Rated Microwave Power Output	900W
Operation Frequency	2450MHz
Outside Dimensions	12 ⁴ / ₁₆ x 21 ¹² / ₁₆ x 23 inches
Oven Capacity	1.5cu.ft.
Net Weight	Approx.38.6lbs

Part Names

1. Door Safety Lock System
2. Oven Window
3. Shaft
4. Roller Ring
5. Control Panel
6. Wave Guide (Please do not remove the mica plate covering the wave guide)
7. Glass Tray
8. Grill Heater
9. Bake Tray
10. Air Fry Kit



Control Panel



- **DISPLAY SCREEN**

Cooking time, power, indicators and present time are displayed.

- **AUTO BAKE/AUTO ROAST**

Use to bake and roast food.

- **AIR FRY**

Use the air fry function to cook food.

- **MICRO**

Press to select microwave cooking program.

- **CONV**

Press to program convection temperature.

- **MICRO+CONV**

Press to set combination cooking program.

- **SENSOR COOK**

Use to cook sensor cook menus.

- **POPCORN**

Use to cook popcorn.

- **SENSOR REHEAT**

Use to cook sensor reheat menus.

- **DEFROST/TIME/WEIGHT**

Press to set defrost program based on time.

Press to set defrost program based on weight.

- **CLOCK /TIMER**

Press to set the clock time.

Press to set the timer function.

- **LOCK/TURNTABLE OFF**

Use to set child lock.

Use to turn turntable on or off.

- **+30 SEC**

Press to add cooking time.

- **STOP/CANCEL**

Press to clear all previous settings before cooking starts.

Press once to stop cooking temporarily or twice to cancel cooking altogether.

- **TIME/WEIGHT/TEMP/LEVEL (dial)**

Turn to select food menus, enter time, enter temperature food weight or shares.

- **START (the dial)**

Press to start cooking program.

Operation Instructions

- When the oven is first plugged in, beep will sound and the display lights up for 2 seconds, then the display will show "12:00" and ":" flashing.
- In the process of setting, broke about 20 seconds the oven will return to standby mode.
- During cooking, if press STOP/CANCEL pad once, the program will be paused, then press START to resume, but if press STOP/CANCEL pad twice, the program will be canceled.
- After ending cooking, the screen will display End with sound every two minutes until user press STOP/CANCEL pad or open the door.
- There is no sound to turn TIME/WEIGHT/TEMP/LEVEL dial . But pressing the START will have sound.
- If there is not any operation for 1 minute, the display will becomes weakly bright, press any pad to light the backlight screen.

SETTING THE CLOCK

This is a 12 or 24 hour clock. You can choose to set the clock time in 12 or 24 hour cycle by pressing the CLOCK/TIMER pad in standby mode.

1. In standby mode, press and hold CLOCK/TIMER pad for 3 seconds to select 12 hour clock, press the pad again to select 24 hour clock.
2. Turn the TIME/WEIGHT/TEMP/LEVEL dial until the correct hour is displayed.
3. Press START or CLOCK/TIMER pads once.
4. Turn the TIME/WEIGHT/TEMP/LEVEL dial until the correct minute is displayed.
5. Press START or CLOCK/TIMER pads once to confirm.

TIMER FUNCTION

You can use the timer feature, when you need to be reminded of the cooking or some other things.

1. Press CLOCK/TIMER pad once.
2. Turn the TIME/WEIGHT/TEMP/LEVEL dial to enter desired time. The longest time is 95 minutes.
3. Press START to confirm.

NOTE: When the countdown ends, the buzzer will beep to remind you. You can check the countdown time by pressing CLOCK/TIMER pad, but if STOP/CANCEL pad is pressed when the display shows the time, the function can be cancelled.

EXPRESS COOKIING

Use this feature to program the oven to microwave food at 100% power conveniently.

In standby mode, turn the TIME/WEIGHT/TEMP/LEVEL dial to enter the cooking time, and then press START once. The oven will start working automatically.

+30 SEC FUNCTION

During cooking, you can add cooking time by touching +30 SEC pad repeatedly. The longest time is 95 minutes.

NOTE: Sensor menus and weight defrost cannot be added cooking time.

MICROWAVE COOKING

1. If you want to set a power level other than 100% power, in standby mode, press MICRO pad once, and then turn the TIME/WEIGHT/TEMP/LEVEL dial to enter the power level.

Power(Display)	Power(Display)
100%(P100)	40%(P-40)
90%(P-90)	30%(P-30)
80%(P-80)	20%(P-20)
70%(P-70)	10%(P-10)
60%(P-60)	00%(P-00)
50%(P-50)	

2. Turn the TIME/WEIGHT/TEMP/LEVEL dial once, and then turn the dial again to enter cooking time. The longest time is 95 minutes.
3. Press START to confirm.

NOTE: During cooking, you can press MICRO pad to check the cooking power.

CONVECTION

During convection cooking, hot air is circulated throughout the oven cavity to brown and crisp foods quickly and evenly. This oven can be programmed for six different cooking temperatures. They are: 350°F→375°F →400°F →425°F →300°F →325°F. The longest cooking time is 95 minutes. Your oven can be programmed to combine preheating and convection cooking operations.

1. In standby mode, press CONV pad once.
2. Turn the TIME/WEIGHT/TEMP/LEVEL dial to enter desired temperature.
3. Press START once.
4. Turn the TIME/WEIGHT/TEMP/LEVEL dial to enter cooking time.
5. Press START once.
6. When reached designated temperature, beep will sound. Open the oven door or pressing STOP/CANCEL pad, and then place food into the oven.
7. Press START to start.

NOTE: The longest preheat time is 30 minutes, but if the preheat time is over 30 minutes, the oven will return to standby mode.

MICROWAVE+CONVECTION

This oven can be programmed for six different cooking temperatures. They are: 350°F→375°F→400°F→425°F→300°F →325°F. The longest cooking time is 95 minutes.

1. In standby mode, press MICRO+CONV pad once.
2. Turn the TIME/WEIGHT/TEMP/LEVEL dial to enter desired temperature.
3. Press START once.
4. Turn the TIME/WEIGHT/TEMP/LEVEL dial to enter cooking time.
5. Press START to confirm.

NOTE: During cooking, you can check the convection temperature by pressing the MICRO+CONV pad.

TIME DEFROST

The defrosting power is adjusted automatically once the cooking time is programmed.

1. In standby mode, press DEFORST/TIME/WEIGHT pad once.
2. Turn the TIME/WEIGHT/TEMP/LEVEL dial to enter defrosting time.
3. Press START pad to confirm.

WEIGHT DEFROST

The defrosting time and power level are automatically set once the food category and the weight are programmed.

1. In standby mode, press DEFORST/TIME/WEIGHT pad twice.
2. Turn the TIME/WEIGHT/TEMP/LEVEL dial to select food code.
3. Press START once.
4. Turn the TIME/WEIGHT/TEMP/LEVEL dial to enter the food weight.
5. Press START to start.

The maximum allowable weight for each category is shown below:

Code	Food	Maximum Weight
dEF1	Meat	80oz
dEF2	Poultry	80oz
dEF2	Seafood	32oz

NOTE:

- Weight must be in pounds and ounces. If label gives weight in pounds only, change the fraction of a pound to ounces using the following chart.

Converting fractions of a pound to ounces:

Fractions of a pound	Ounces
Less than .03	0
.03 to .09	1
.10 to .15	2
.16 to .21	3
.22 to .27	4
.28 to .34	5
.35 to .40	6
.41 to .46	7
.47 to .53	8

Fractions of a pound	Ounces
.54 to .59	9
.60 to .65	10
.66 to .71	11
.72 to .78	12
.79 to .84	13
.85 to .90	14
.91 to .97	15
above .97	go to next even

- During defrosting program, the system will pause and sound to remind you to turn over the food, after that, press START to resume.

AIR FRY

For food code "AF-1"~ "AF-7":

1. In standby mode, press AIR FRY pad twice.
2. Turn the TIME/WEIGHT/TEMP/LEVEL dial to select food code.

Code	Food	Weight
AF-1	Onion Rings	8oz
AF-2	Chicken Drumsticks	8oz
		12oz
		16oz
		20oz
		24oz
AF-3	Chicken Wings	8oz
		12oz
		16oz
		20oz
AF-4	Chicken Nuggets	6oz
		8oz
		10oz
		12oz
AF-5	Popcorn Chicken	8oz
		10oz
		12oz
		16oz
AF-6	Mozzarella Sticks	12oz
AF-7	French Fries	10oz

3. Press START once.
4. Turn the TIME/WEIGHT/TEMP/LEVEL dial to enter the food weight.
5. Press START to start.

NOTE: For "AF-2" and "AF-3", during cooking, the system will pause to remind user to turn food over, and then press START pad to resume

For others food:

1. In standby mode, press AIR FRY pad once.
2. Turn the TIME/WEIGHT/TEMP/LEVEL dial to select temperature (400°F→425°F→350°F→375°F→400°F).
3. Press START once.
4. Turn the TIME/WEIGHT/TEMP/LEVEL dial to enter cooking time.
5. Press START to start.

AUTO BAKE

1. In standby mode, press AUTO BAKE pad once.
2. Turn the TIME/WEIGHT/TEMP/LEVEL dial to select a food code.
3. Press START once.
4. When reached designated temperature, beep will sound. Open the oven door, and then place food into the oven.
5. Press START to start.

NOTE: The longest preheat time is 30 minutes, but if the preheat time is over 30 minutes, the oven will return to standby mode.

Auto bake menus:

Code	Food	Size	Preheat Temperature	Cooking Time
Ab-1	Cookies	9 shares	350°F	15:00
Ab-2	Brownies	9*9 inch	350°F	46:00
Ab-3	Cake	9 inch	350°F	26:00
Ab-4	Lasagna	1 share	400°F	41:00

AUTO ROAST

1. In standby mode, press AUTO ROAST pad once.
2. Turn the TIME/WEIGHT/TEMP/LEVEL dial to select a food code.
3. Press START once.
4. Turn the TIME/WEIGHT/TEMP/LEVEL dial to select food weight.
5. Press START to start.

Auto bake menus:

Code	Food	Weight	Time
Ar-1	Salmon Filet	4oz	24:00
		8oz	27:00
		12oz	30:00
		16oz	33:00
		20oz	36:00
Ar-2	Whole Chicken	6LB	80:00
Ar-3	Pork Loin	2LB	60:00
		3LB	70:00
Ar-4	Pork Tenderloin	1LB	20:00
		2LB	30:00
Ar-5	Roasted Potatoes	4oz	34:00
		6oz	36:00
		8oz	38:00
		10oz	40:00
		12oz	42:00
		16oz	44:00

SENSOR COOK

1. In standby mode, press SENSOR COOK pad once.
2. Turn the TIME/WEIGHT/TEMP/LEVEL dial to select a food code.
3. Press START to start.

Sensor cook menus:

Code	Food	Code	Food
Sc-1	Potato	Sc-4	Frozen Vegetable
Sc-2	Beverage	Sc-5	Frozen Pizza
Sc-3	Fresh Vegetable	Sc-6	Oatmeal

NOTE:

- After cooking for a period of time, the system will detect whether there is error, if there is error, for example, the sensor short circuit or open circuit, the system will stop automatically with the display showing "E05", beeps sound until press STOP/CANCEL pad.
- If there is no error, the system will judge corresponding cooking time based on the steam generated by the food, after cooking for a period of time, the countdown will display on the screen.

- During sensor cooking program, if press STOP/CANCEL pad once or open the door, the system will turn back to standby mode.
- If in the longest sensor time the oven cannot judge the cooking time according the steam produced by food in the body, the cooking will auto-end.

SENSOR REHEAT

1. In standby mode, press SENSOR REHEAT pad once.
2. Turn the TIME/WEIGHT/TEMP/LEVEL dial to select a food code.
3. Press START to start.

Sensor reheat menus:

Code	Food	Code	Food
SH-1	Frozen entrée	SH-5	Pasta
SH-2	Dinner plate	SH-6	Mac and Cheese
SH-3	Soup/sauce	SH-7	Mashed Potatoes
SH-4	Chili	SH-8	Rice

NOTE:

- After cooking for a period of time, the system will detect whether there is error, if there is error, for example, the sensor short circuit or open circuit, the system will stop automatically with the display showing "E05", beeps sound until press STOP/CANCEL pad.
- If there is no error, the system will judge corresponding cooking time based on the steam generated by the food, after cooking for a period of time, the countdown will display on the screen.
- During sensor cooking program, if press STOP/CANCEL pad once or open the door, the system will turn back to standby mode.
- If in the longest sensor time the oven cannot judge the cooking time according the steam produced by food in the body, the cooking will auto-end.

POPCORN

1. In standby mode, press POPCORN pad once.
2. Turn the TIME/WEIGHT/TEMP/LEVEL dial to adjust cooking time.
3. Press START to start.

NOTE: The default time is 2 minute and 30 seconds. For default time, you can skip step 2. The food weight is 3.5oz.

CHILD LOCK

The child proof lock prevents unsupervised operation by little children.

To set the child proof lock: Press and hold LOCK/TURNTABLE OFF pad for 3 seconds, then a beep will sound, the oven will auto enter child lock mode and the lock indicator light will turn on.

To cancel the child proof lock: Press and hold LOCK/TURNTABLE OFF pad for 3 seconds, then a beep will sound and the indicator light will come off.

TURNTABLE

During cooking, the turntable is default working. You can turn the turntable on or off by pressing LOCK/TURNTABLE OFF pad. Only SENSOR COOK, SENSOR REHEAT, MICRO and DEFROST have

this function.

Turn off: During cooking or process of setting, press LOCK/TURNTABLE OFF pad, the display will show "ON" for 1 second and a beep will sound. The turntable will stop turning.

Turn on: Press LOCK/TURNTABLE OFF pad, the display will show "OFF" for 1 second and a beep will sound. The turntable will start turning.

NOTE: Sometimes the turntable may become too hot to press. Be careful to touch the turntable.

AUTOMATIC PROTECTION MECHANISM

OVERHEATING PROTECTION

When the system enters into super high temperature protection status, the digital display shows "Er10" and continues to beep. Until press "PAUSE/CANCEL" pad, the system comes back to normal standby mode.

LOW TEMPERATURE PROTECTION

When the system enters into super low temperature protection status, the digital display shows "Er11" and continues to beep. Until press "PAUSE/CANCEL", the system comes back to normal standby mode.

SENSOR MALFUNCTION PROTECTION

The system enters into protection mode when the system sensor is Short Circuited. The display shows "Er13" and continues to beep. Until press "PAUSE/CANCEL", the system comes back to normal standby mode.

Cleaning and Care

1. Turn off the oven and unplug the power cord from the wall when cleaning.
2. Keep the inside of the oven clean. When food splatters or spilled liquids adhere to oven walls, wipe with a damp cloth. Mild detergents may be used if the oven gets very dirty. Avoid using spray or other harsh cleaners. They may stain, streak or dull the door surface.
3. The outside of the oven should be cleaned with a damp cloth. To prevent damage to the operating parts inside the oven, water should not be allowed to seep into the ventilation openings.
4. Wipe the door and window on both sides, the door seals and adjacent parts frequently with a damp cloth to remove any spills or splatters. Do not use abrasive cleaner.
5. A steam cleaner is not be used.
6. Do not allow the control panel to become wet. Clean with a soft, damp cloth. When cleaning the control panel, leave oven door open to prevent oven from accidentally turning on.
7. If steam accumulates inside or around the outside of the oven door, wipe with a soft cloth. This may occur when the microwave oven is operated under high humidity condition. And it is normal.
8. It is occasionally necessary to remove the glass tray for cleaning. Wash the tray in warm sudsy water or in a dishwasher.
9. The roller ring and oven floor should be cleaned regularly to avoid excessive noise. Simply wipe the bottom surface of the oven with mild detergent. The roller ring may be washed in mild, soapy water or in a dishwasher. When removing the roller ring, be sure to replace it in the proper position.
10. Remove odors from your oven by combining a cup of water with the juice and skin of one lemon in a microwaveable bowl. Microwave for 5 minutes. Wipe thoroughly and dry with a soft cloth.
11. If the light bulb burns out, please contact customer service to have it replaced.
12. The oven should be cleaned regularly and any food deposits should be removed. Failure to maintain the oven in a clean condition could lead to deterioration of surface that could adversely affect the life of the unit and could possibly result in a hazardous situation.
13. Please do not dispose of this appliance into the domestic rubbish bin; it should be disposed to the particular disposal center provided by the municipalities.
14. When the microwave oven with grill function is first used, it may produce slight smoke and smell. This is a normal phenomenon, because the oven is made of a steel plate coated with lubricating oil, and the new oven will produce fumes and odor generated by burning the lubricating oil. This phenomenon will disappear after a period of using.

The user manual can also be check and download from our website: www.XXXXX.com