

LUBBECK

MICROWAVE OVEN

Owner's Manual



READ BEFORE USE

Model No. LBCMJ913S2AW

Microwave Oven

Owner's Manual



Safety Information.....

2

Important Safety Instructions	2
Grounding.....	4
Excessive Energy Warning.....	5
Features And Benefits, Specifications.....	5
Test For A Microwave-safe Dish	5
Materials For Use In Microwave	6
Material To Avoid In Microwave	6



First Time Use.....

7

Setting Up Your Microwave.....	7
Parts And Accessorie.....	7
Turntable Installation.....	7
Control Panel.....	8



Operation Instructions.....

9

Setting The Clock.....	9
Timer Function.....	9
Start + 30 Sec.	10
Microwave Cooking.....	10
Convection.....	11
Microwave+Convection.....	12
Time Defrost.....	12
Weight Defrost.....	13
Air Fry.....	14
Bake.....	15
Roast.....	16
Multi-Stage Cooking.....	17
Auto Cook.....	18
Child Lock.....	18
Child Safety Lock	19



Use And Care.....

21

Proctection.....	21
Care and Cleaning.....	22

!! IMPORTANT SAFETY INSTRUCTIONS !!

When using electrical appliances, basic safety precautions should always be followed, including the following:

WARNING! - To reduce the risk of burns, electric shock, fire, injury to persons, or exposure to excessive microwave energy:

1. Read all instructions before using the appliance.
2. Read and follow the specific PRECAUTIONS TO AVOID POSSIBLE EXPOSURE TO EXCESSIVE MICROWAVE ENERGY found on page 5.
3. This appliance must be grounded. Connect only to properly grounded outlet. See "IMPORTANT GROUNDING INSTRUCTIONS" found on page 4.
4. Install or locate this appliance only in accordance with the provided installation instructions.
5. Some products such as whole eggs and sealed containers, like closed glass jars, are able to explode and should not be heated in this oven.
6. Use this appliance only for its intended use as described in the manual. Do not use corrosive chemicals or vapors in this appliance. This type of oven is specifically designed to heat, cook, or dry food. It is not designed for industrial or laboratory use.
7. This device complies with Part 18 of the FCC Rules.
8. Do not operate this appliance if it has a damaged cord or plug, if it is not working properly, or if it has been damaged or dropped.
9. This appliance should be serviced only by a qualified service personnel. Contact your nearest authorized service facility for examination, repair or adjustment.
10. Do not cover or block any openings on this appliance.
11. Do not store this appliance outdoors. Do not use this product near water. For example, do not use near a kitchen sink, in a wet basement, near a swimming pool, or similar locations.
12. Do not immerse cord or plug in water.
3. Keep cord away from heated surfaces.

1

LÜBECK

14. Do not let cord hang over edge of table or counter.
15. When cleaning the surfaces between the door and the oven that come together upon closing, use only mild, nonabrasive soaps or detergents applied with a sponge or soft cloth.
16. To reduce the risk of fire in the oven cavity:
 - Do not overcook food. Carefully attend appliance when paper, plastic, or other combustible materials are placed inside the oven to facilitate cooking.
 - Remove wire twist ties from paper or plastic bags before placing bag in oven.
 - If materials inside the oven ignite, keep oven door closed, turn oven off and disconnect the power cord, or shut off power at the fuse or circuit breaker panel.
 - Do not use the cavity for storage purposes. Do not leave paper products, cooking utensils, or food in the cavity when not in use.
17. Liquids such as water, coffee, or tea are able to be overheated beyond the boiling point without appearing to be boiling. Visible bubbling or boiling when the container is removed from the microwave oven is not always present. **THIS COULD RESULT IN VERY HOT LIQUIDS SUDDENLY BOILING OVER WHEN THE CONTAINER IS DISTURBED OR A UTENSIL IS INSERTED INTO THE LIQUID.**
18. This appliance is intended for household use only.

!! SAVE THESE INSTRUCTIONS !!

Important Grounding Instructions

This appliance must be grounded. In the event of an electrical short circuit, grounding reduces the risk of electric shock by providing an escape wire for the electric current.

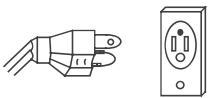
WARNING Improper use of the grounding plug can result in a risk of electric shock.

Electrical Requirements

The electrical requirements are 120 volt 60 Hz, AC only, 20 amp.

It is recommended that a separate circuit serving only the oven be provided. The oven is equipped with a 3-prong grounding plug. It must be plugged into a wall receptacle that is properly installed and grounded.

**Three-pronged
(grounding) plug**



**Properly
polarized and
grounded
outlet**

Power Supply Cord

1. A short power supply cord is provided to reduce the risks resulting from becoming entangled in or tripping over a longer cord.
2. Longer cord sets or extension cords are available and may be used if care is exercised in their use.
3. If long cord or extension cord is used:
 - a) The marked electrical rating of the cord set or extension cord should be at least as great as the electrical rating of the appliance.
 - b) The extension cord must be a grounding-type 3-wire cord, and the longer cord should be arranged so that it will not drape over the counter top or table top where it can be pulled on by children or tripped over unintentionally.

Notes:

If you have any questions about the grounding or electrical instructions, consult a qualified electrician or service person.

Neither manufacturer nor the dealer can accept any liability for damage to the oven or personal injury resulting from failure to observe the electrical connection procedures.

Radio or TV Interference

Should there be any interference caused by the microwave oven to your radio or TV, check that the microwave oven is on a different circuit, relocate the radio or TV as far away from the oven as feasible or check position and signal of receiving antenna.



Precautions To Avoid Possible Exposure To Excessive Microwave Energy

- Do not attempt to operate this oven with the door open since open-door operation can result in harmful exposure to microwave energy. It is important not to defeat or tamper with the safety interlocks.
- Do not place any object between the oven front face and the door or allow soil or cleaner residue to accumulate on sealing surfaces.
- Do not operate the oven if it is damaged. It is particularly important that the oven door close properly and that there is no damage to the:
 1. Door (bent)
 2. Hinges and latches (broken or loosened)
 3. Door seals and sealing surfaces
- The oven should not be adjusted or repaired by anyone except properly qualified service personnel.

Features and Benefits

- 1.3 cu. ft. Oven Cavity
- 11 Power Levels
- Electronic Digital Display With Clock (LED)
- Convection
- Time Defrost and Weight Defrost
- Roast, Bake, Air Fry
- 5 Auto Cook
- Timer

Specifications

Model.....	LBCMJ913S2AW
Power Source.....	120V ~ 60Hz
Power Consumption (Microwave)	1500W
Power Consumption (Convection).	1450W
Maximum Output.....	1000W
Oven Capacity.....	1.3 cu. ft.
Turntable Diameter	12.8 inches
External Dimensions.....	11.8 x 21.2 x19.9 inches
Net Weight.....	41.2 lbs

How To Test For A Microwave-safe Dish

To determine if a dish is microwave-safe, place the dish in the microwave along with a glass measuring cup filled with one cup of water. Microwave for one minute on high and then carefully feel the dish. If it is warm, it is not microwave-safe.

Arcing - The microwave term for sparks in the oven. Caused by:

- Metal or foil touching the side of the microwave
- Upturned edges of foil not wrapped around the food
- Metals in the microwave such as twist ties, meat pins or metal rimmed dishes
- Recycled paper towels in the microwave that contain small flecks of metal

Materials For Use In Microwave

To avoid arcing and other hazards, follow these instructions for the use of safe materials in the microwave.

Browning dish	Follow manufacturer's instructions. The bottom of browning dish must be at least 3/16 inch (0.5 cm) above the turntable. Incorrect usage may cause the turntable to break.
Dinnerware	Microwave-safe only . Follow manufacturer's instructions. Do not use cracked or chipped dishes.
Glassware	Heat-resistant oven glassware only. Make sure there is no metallic trim.
Oven cooking bags	Follow manufacturer's instructions. Do not close with metal tie. Make slits to allow steam to escape.
Paper plates/cups	Use for short - term cooking/warming only. Do not leave oven unattended while cooking.
Paper towels	Use to cover food for reheating and absorbing fat. Use with supervision for short - term cooking only.
Parchment paper	Use as a cover to prevent splattering or a wrap for steaming.
Plastic	Microwave-safe only. Follow the manufacturer's instructions. Boiling bags and tightly closed plastic bags should be slit, pierced or vented as directed by package. Due to various manufacturers you may receive varying performance results when using a bacon tray.
Plastic wrap	Microwave-safe only. Use to cover food during cooking to retain moisture. Do not allow plastic wrap to touch food.
Thermometers	Microwave-safe only.
Wax paper	Use as a cover to prevent splattering and retain moisture.

Materials To Avoid In Microwave

- Metal pans and bakeware
- Recycled paper products
- Non-heat-resistant glass
- Food storage bags
- Dishes with metallic trim
- Brown paper bags
- Non-microwave-safe plastics (e.g. margarine tubs)
- Metal twist ties

Setting Up Your Microwave

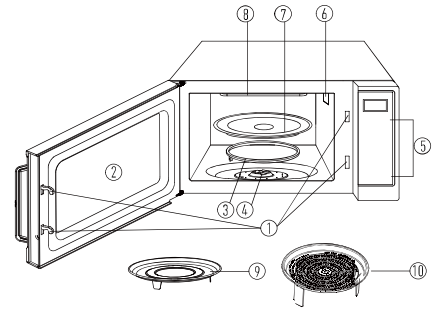
Installation:

1. Remove all packing materials and accessories. Examine the oven for any damage such as dents or broken door. Do not install if oven is damaged.
2. Select a level surface that provides enough open space for ventilation. Allow for 3 inches of open space next to the sides and back of the microwave. Allow for 12 inches of open space above the microwave. Do not place any items on top of microwave and do not remove the legs from the bottom of the microwave.
3. Place the microwave as far away as possible from radios and televisions. Microwave may cause interference to these appliances.
4. Plug the microwave into a grounded household outlet. Check the rating label of the microwave to ensure the voltage and frequency are compatible with the outlet.
5. Do not install microwave oven over a range cook top or other heat-producing appliance. Heat can damage the microwave and void the warranty.

Names of Oven Parts and Accessories

Remove the oven and all materials from the carton. Your oven comes with the following accessories:

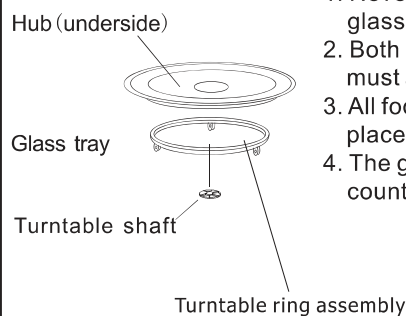
1. Door Lock System
2. Oven Window
3. Roller Ring
4. Shaft
5. Control Panel
6. Wave Guide(Do not remove)
7. Glass Tray
8. Grill Heater
9. Bake Plate
10. Air Fry Kit



WARNING : FIRE AND SHOCK HAZARD.

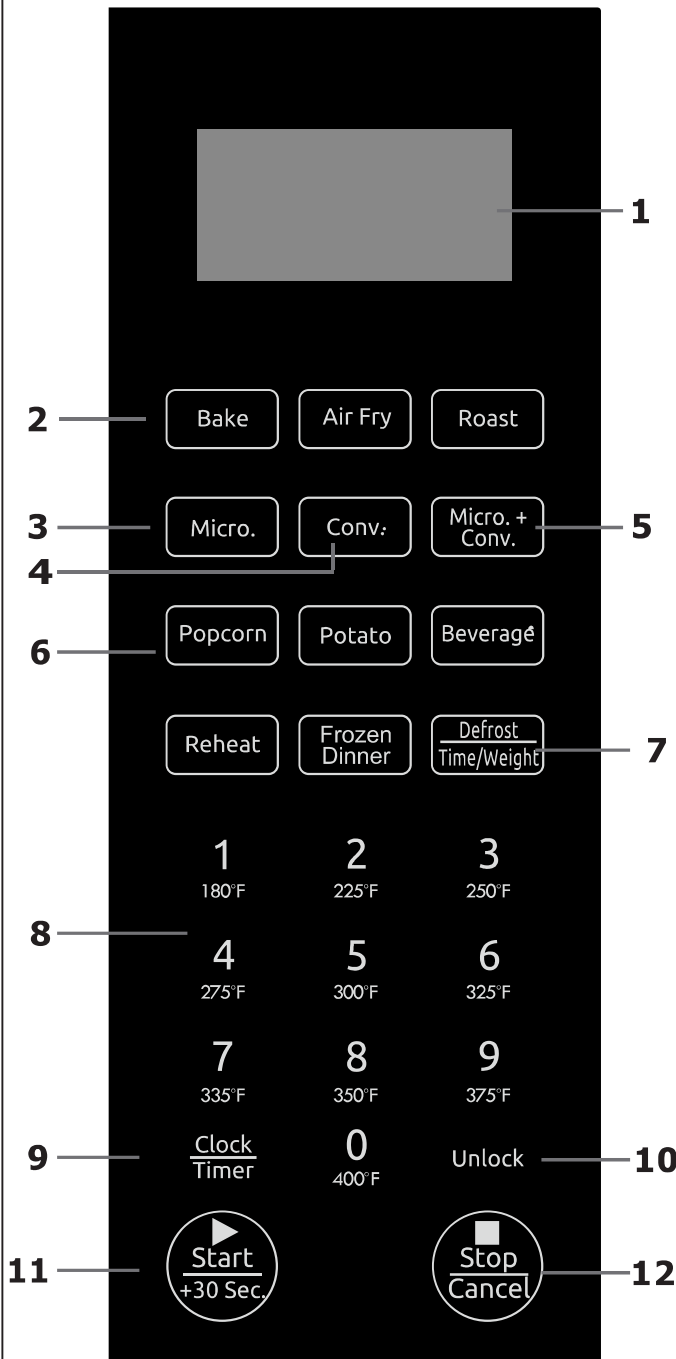
Do not remove the mica board located on the right, inside wall of the cooking compartment. Unplug the microwave immediately if the mica board becomes damaged or is missing.

Turntable Installation



1. Never place the glass upside down. The glass tray should never be restricted.
2. Both glass tray and turntable ring assembly must always be used during cooking.
3. All food and containers of food are always placed on the glass tray for cooking.
4. The glass tray rotates either clockwise or counter-clockwise; this is normal.

Control Panel Operation



1. DISPLAY

Cooking time, power, indicators and present time are displayed.

2. BAKE/AIR FRY/ROAST

Use bake, air fry and roast function to cook food.

3. MICRO.

Press to select microwave power level.

4. CONV.

Press to set convection cooking program.

5. MICRO.+CONV.

Press to select one of four combination cooking settings with microwave and convection.

6. AUTO COOK PADS

Press the menu pads to set auto cooking program.

7. DEFROST/TIME/WEIGHT

Press to set defrost program.

8. NUMBER PADS

Press to set clock time.

9. CLOCK/TIMER

Press to set clock or timer function.

10. UNLOCK

Press to open the door.

11. START+30 SEC.

Press to start cooking program.

12. STOP/CANCEL

Press once to temporarily stop cooking, or twice to cancel cooking altogether.

It is also used to set door lock.

Operation Instructions

- When the oven is plugged in, beep will sound and the display will show "CLOCK" and "12:00".
- During cooking program, press STOP/CANCEL pad to pause the program, then press START pad to resume. If press STOP/CANCEL pad twice, the program will be canceled.
- If the cooking time is 2 minutes or more, after cooking ends, the screen will display "FAn" for 1 minute, then display "End". But if the cooking time is less than 2 minutes, after cooking ends, the screen will display "End" with sound every two minutes. After pressing STOP/CANCEL pad or opening the door, the oven returns to standby mode.
- The electronic control system of the microwave oven has an automatic cooling feature. If using microwave, convection or combination cooking mode longer than two minutes, the oven fan will automatically operate to cool the oven post cooking time. This is normal.

Setting The Clock

This is a 12- or 24-hour clock. You can choose to set the clock time in 12 or 24 hours by pressing the CLOCK/TIMER pad in standby mode.

- 1) In standby mode, press and hold CLOCK/TIMER pad for 3 seconds to choose 24 hour clock, then press it again to choose 12-hour clock.
- 2) Press number pads to enter the correct time.
- 3) Press CLOCK/TIMER pad once or START pad once to confirm.

Timer Function

- 1) In standby mode or during cooking, press CLOCK/TIMER pad once.
- 2) Press number pads to enter desired time. The longest time is 99 minutes and 99 seconds.
- 3) Press START pad or CLOCK/TIMER to confirm.

NOTE: When the countdown ends, the buzzer will beep to remind you. You can check the countdown time by pressing CLOCK/TIMER pad, but if STOP/ CANCEL pad is pressed when the display shows the time, the function can be canceled.

Start+30 Sec.

Accessory Guide



Glass Tray

Use this feature to program the oven to start at 100% power conveniently. In standby mode, press START+30 SEC. pad in quick succession to set cooking time. The oven will start working automatically. The longest time is 99 minutes and 99 seconds.

Microwave Cooking

Accessory Guide



Glass Tray

- 1) In standby mode, press MICRO. pad repeatedly to select power level.
- 2) Press number pads to enter cooking time. The longest time is 99 minutes and 99 seconds.
- 3) Press START to confirm.

Select power level by pressing the MICRO. pad:

Press MICRO. Pad	Power(Display)	Press MICRO. Pad	Power(Display)
Once	100%(P100)	7 times	40%(P-40)
Twice	90%(P-90)	8 times	30%(P-30)
3 times	80%(P-80)	9 times	20%(P-20)
4 times	70%(P-70)	10 times	10%(P-10)
5 times	60%(P-60)	11 times	0%(P-00)
6 times	50%(P-50)		

NOTE: During microwave cooking, you can check the power by pressing the MICRO. pad. If you want to set 100% power level, you can omit the step 1 given above.

LÜBECK

Convection

Accessory Guide



Glass Tray



Bake Plate

During convection cooking, hot air is circulated throughout the oven cavity to brown and make crisp foods quickly and evenly. Press number pad to enter the desired convection temperature. (1--180°F, 2--225°F, 3--250°F, 4--275°F, 5--300°F, 6--325°F, 7--335°F, 8--350°F, 9--375°F, 0--400°F).

To preheat and cook with convection:

Your oven can be programmed to combine preheating and convection cooking operations.

- 1) In standby mode, press CONV. pad once.
- 2) Press number pads to indicate convection temperature.
- 3) Press START pad once. Beeps will sound when the designated temperature is reached.
- 4) Open the door and place container of food at the center of the turntable (or press STOP/CANCEL).
- 5) Press number pads to enter cooking time.
- 6) Press START pad to start.

NOTE: When designated temperature is reached, beep will sound. The longest preheat time is 30 minutes, and the preheat time cannot be set. The oven will return to standby mode if there is not any operation within the 30 minutes.

To cook with convection:

- 1) In standby mode, press CONV. pad once.
- 2) Press number pad to indicate convection temperature.
- 3) Press number pads to enter cooking time. The longest time is 99 minutes and 99 seconds.
- 4) Press START pad to start.

Microwave+Convection

Accessory Guide



Glass Tray



Bake Plate

This oven has four pre-programmed settings that make it easy to cook with both convection heat and microwave automatically. There are four temperatures: 225°F, 275°F, 350°F, 400°F.

- 1) In standby mode, press MICRO.+CONV. pad repeatedly to select temperature.
- 2) Press number pads to enter cooking time. The longest time is 99 minutes and 99 seconds.
- 3) Press START pad to start.

NOTE: During cooking, you can check combination temperature by pressing MICRO.+CONV. pad.

Time Defrost

Accessory Guide



Glass Tray

The defrosting power is adjusted automatically once the cooking time is programmed.

- 1) In standby mode, press DEFROST/TIME/WEIGHT pad once.
- 2) Press number pads to enter defrosting time. The longest time is 99 minutes and 99 seconds.
- 3) Press START pad to confirm.

NOTE: During defrosting program, the system will pause to remind user to turn food over, and then press START to resume the defrosting.

Weight Defrost

Accessory Guide



Glass Tray

The defrosting time and power level are automatically set once the food category and the weight are programmed.

- 1) In standby mode, press DEFROST/TIME/WEIGHT pad twice.
- 2) Press number pads (1-3) to select food category.
- 3) Press START pad to confirm.
- 4) Press number pads to enter food weight.
- 5) Press START pad to start.

The maximum allowable weight for each category is shown below:

Code	Food	Maximum Weight
dEF1	Meat	48 oz.
dEF2	Poultry	48 oz.
dEF3	Seafood	32 oz.

NOTE:

- 1) During defrosting program, the system will pause to remind you to turn over the food, after that, press START to resume.
- 2) If label gives weight in pounds only, change the fraction of a pound to ounces using the chart as below.

Converting fractions of a pound to ounces:

Fractions of a pound	Ounces
Less than .03	0
.03 to .09	1
.10 to .15	2
.16 to .21	3
.22 to .27	4
.28 to .34	5
.35 to .40	6
.41 to .46	7
.47 to .53	8

Fractions of a pound	Ounces
.54 to .59	9
.60 to .65	10
.66 to .71	11
.72 to .78	12
.79 to .84	13
.85 to .90	14
.91 to .97	15
above .97	go to next even

Air Fry

Accessory Guide



Glass Tray



Air Fry Kit

For auto air fry menu:

- 1) In standby mode, press AIR FRY pad twice, when "AF-1" displays, press it repeatedly again to select food code.
- 2) Press START once.
- 3) Press AIR FRY pad repeatedly to enter the food weight.
- 4) Press START to start.

Code	Food	Weight	Time(Mins)	Power
AF-1	Onion Rings	8 oz.	18:00	400°F
		12 oz.	21:00	
AF-2	Chicken Drumsticks	8 oz.	27:00	400°F
		16 oz.	30:00	
		24 oz.	33:00	
		32 oz.	36:00	
		40 oz.	40:00	
AF-3	Chicken Wings	8 oz.	27:00	400°F
		16 oz.	30:00	
		24 oz.	33:00	
		32 oz.	36:00	
AF-4	Chicken Nuggets	8 oz.	17:00	400°F
		10 oz.	18:00	
		12 oz.	19:00	
		16 oz.	21:00	
		20 oz.	23:00	
AF-5	Popcorn Chicken	8 oz.	18:00	400°F
		10 oz.	19:00	
		12 oz.	20:00	
		16 oz.	22:00	
		20 oz.	25:00	

LÜBECK

Code	Food	Weight	Time(Mins)	Power
AF-6	Mozzarella Sticks	8 oz.	12:00	400°F
		10 oz.	12:30	
		12 oz.	13:00	
		14 oz.	13:30	
		16 oz.	14:00	
		18 oz.	15:00	
AF-7	French Fries	8 oz.	22:00	400°F
		10 oz.	24:00	
		12 oz.	26:00	
		14 oz.	28:00	

For other foods:

- 1) In standby mode, press AIR FRY pad once.
- 2) Press number pad(0-9) to select temperature.
- 3) Press START once.
- 4) Press number pad to enter cooking time. The longest time is 99 minutes and 99 seconds.
- 5) Press START to start.

Bake

Accessory Guide



Glass Tray



Bake Plate

For auto bake menu:

- 1) In standby mode, press BAKE pad twice, when "Ab-1" displays, press it repeatedly again to select food code.
- 2) Press START once.
- 3) When designated temperature is reached, beep will sound. Open the oven door, and then place food into the oven.
- 4) Press START to start.

Auto bake menus:

Code	Food	Temperature	Cooking Time(Mins.)
Ab-1	Cookies	350°F	13:00
Ab-2	Brownies	350°F	45:00
Ab-3	Cake	350°F	20:00

For others food:

- 1) In standby mode, press BAKE pad once.
- 2) Press number pad (0-9) to select temperature.
- 3) Press START once.
- 4) Press number pad to enter cooking time. The longest time is 99 minutes and 99 seconds
- 5) Press START to start.
- 6) When designated temperature is reached, beep will sound. Open the oven door, and then place food into the oven.
- 7) Press START to start.

Noted: For BAKE function, preheat is required. When the designated temperature is reached, "Add Food" and temperature will show on the screen. Open the oven door and put the food inside, then press START to start cooking.

Roast

Accessory Guide



Glass Tray



Bake Plate

For auto roast menu:

- 1) In standby mode, press ROAST pad twice, when "Ar-1" displays, press it repeatedly to select food code.
- 2) Press START once to confirm food code.
- 3) press ROAST pad to select food weight.
- 4) Press START to start.

LÜBECK

Auto roast menus:

Code	Food	Weight	Time(Mins)
Ar-1	Salmon Filet	4 oz.	21:00
		8 oz.	24:00
		12 oz.	27:00
		16 oz.	30:00
		20 oz.	33:00
Ar-2	Whole Chicken	4 lbs.	60:00
Ar-3	Pork Loin	2 lbs.	35:00
		3 lbs.	45:00
Ar-4	Pork Tenderloin	1 lb.	25:00
		2 lbs.	35:00
Ar-5	Roasted Potatoes	4 oz.	23:00
		6 oz.	24:00
		8 oz.	25:00
		10 oz.	26:00
		12 oz.	27:00
		16 oz.	30:00

For other foods:

- 1) In standby mode, press ROAST pad once.
- 2) Press number pad (0-9) to select temperature.
- 3) Press START once.
- 4) Press number pad to enter cooking time.
- 5) Press START to start.

Multi-Stage Cooking

Accessory Guide



Glass Tray

Your oven can be programmed for up to 2 automatic cooking sequences. Suppose you want to set the following cooking program.

- 1) In standby mode, place food into the oven.
- 2) Input the first microwave cooking program. Do not press START pad.
- 3) Input the second microwave cooking program.
- 4) Press START pad.

NOTE: +30 Sec., weight defrost, time defrost, auto cook menus, bake function, air fry function and toast function cannot be set in multi-stage cooking program.

Auto Cook

Accessory Guide



Glass Tray

There are 5 microwave auto cook menus: POPCORN, POTAPO, BEVERAGE, REHEAT, FROZEN DINNER. For any auto cook menus, it is not necessary to input power level or cooking time. The oven will automatically set the cooking program based on the menus and food weight selected.

- 1) In standby mode, press corresponding menu pad repeatedly to select food weight.
- 2) Press START pad to start.

Auto cook menus:

Menu	Note
Popcorn(1.75 / 3 / 3.5 oz.)	The result of sensor cook depends on factors such as voltage fluctuation, the shape and the size of food, your personal preference as to the doneness of certain foods and even how well you happen to space food in the oven. If you find the result at any rate not quite satisfactory, please adjust the cooking time a little bit accordingly.
Potato(8oz.-24 oz.)	
Beverage(8 / 10 / 12 oz.)	
Reheat(8 oz.-24 oz.)	
Frozen Dinner(8 oz.-24 oz.)	

Control Panel Lock

Use to prevent unsupervised operation of the oven.

- To set: In standby mode, press and hold STOP/CANCEL button for 3 seconds, a beep will sound and the display will show "- - - -", the oven will auto enter child lock mode.
- To cancel: Press and hold STOP/CANCEL button for 3 seconds, a beep will sound, and the "- - - -" will disappear.

Child Safety Lock

HOW DOES THE CHILD SAFETY LOCK FUNCTIONS

1. Using the microwave for the first time:

- When the microwave is power on, the microwave is in child safety door lock mode, the door can be opened at any time and the door is unlocked before any cooking programs starts.

2. During cooking:

- When cooking function starts, the door is locked automatically and immediately.
- If you want to open the door during cooking:
 - (i) Press the UNLOCK pad once to unlock, the cooking function is paused (showing remaining cooking time) and you can open the door now.
 - (ii) Or press the STOP pad once, the cooking function is paused (showing remaining cooking time), and you can open the door now.
- To continue cooking, press START+30 SEC. pad once to resume cooking, the door will be automatically and immediately locked.

NOTE:

- If cooking function is not resumed after closing the door, the door will be in unlocked status.
- If you press the UNLOCK or STOP pad once without opening the door within 10 seconds, the door will lock again and a beep will be heard.
- If you pull the door handle without pressing the UNLOCK or STOP pad, cooking will pause and the display will show remaining cooking time, the door cannot be opened as it is locked.
- If you press the STOP pad twice, cooking function will be cancelled and the display will show "Loc" as the door is locked. You need to press UNLOCK or STOP pad once to unlock before opening the door.

3. When cooking is completed:

- (i) The display will alternately show "End" or "Loc" every 5 seconds and the microwave will beep to remind every 2 minutes until STOP or UNLOCK pad is pressed or after the door is opened.

- (ii) To open the door, press the UNLOCK or STOP pad once to unlock and you can open the door now. After the door is opened and closed, the door remains unlocked until a new cooking cycle is started.

NOTE:

- If you press the UNLOCK or STOP pad once without opening the door within 10 seconds, the door will lock again and a beep will be heard.
- If the door is not opened after cooking is completed, the door will remain locked for 30 minutes before returning to standby mode. After 30 minutes, the door can be opened at any time until a new cooking cycle is started.

DEACTIVATING AND REACTIVATING THE ELECTROMAGNETIC CHILD SAFETY LOCK

1. To deactivate the child safety lock function:

- (i) In standby mode, press and hold the UNLOCK pad for 2 seconds.
- (ii) When display shows "Loc", press the 7 pad and then the 9 pad, the display will show "ULoc" and the buzzer will beep once.
- (iii) The child safety door lock mode is now deactivated and the door can be opened at any time.

2. To reactivate the child safety lock function after deactivating:

- (i) In standby mode, press and hold the UNLOCK pad for 2 seconds.
- (ii) When display shows "ULoc", press the 7 pad and then the 9 pad, the display will show "Loc" and the buzzer will beep once.
- (iii) The child safety lock mode is now reactivated, the door will be locked automatically and immediately when cooking starts.

NOTE:

- When deactivating or activating the child safety lock function, 7 pad and then 9 pad must be pressed within 10 seconds after the display shows "Loc" or "ULoc".
- Only the 7 and 9 number pads are valid within the 10 second time frame, other pads are invalid. Two short beeps will be heard to remind you that it is an invalid input. If no correct steps are taken within the 10 seconds, the system will return to standby mode.
- When the microwave is powered on again after power outage, child safety door lock function will remain activated or deactivated depending on your previous setting.

Protection

OVERHEATING PROTECTION

When the system enters into super high temperature protection status, the digital display shows "E03" and continues to beep. After pressing STOP/CANCEL, the system comes back to normal standby mode.

LOW TEMPERATURE PROTECTION

When the system enters into super low temperature protection status, the digital display shows "E04" and continues to beep. After pressing STOP/CANCEL, the system comes back to normal standby mode.

SENSOR MALFUNCTION PROTECTION

The system enters into protection mode when the system sensor is open circuited or short circuited. The display shows "E05" or "E06" and buzzer makes alarm sound. After pressing STOP/CANCEL, the system comes back to normal standby mode.

BUTTON ADHESION PROTECTION

In any state, if any button on the control panel is adhesion for 60 seconds, the program stops working immediately, the display shows "FAIL" and the system will sound beep. If the button is adhesion all the time, beep will sound every one minute. Any button is invalid at this time. After troubleshooting, press the STOP/CANCEL button to return standby mode.

Care and Cleaning

- Turn off the microwave and unplug the power cord from the wall socket when cleaning.
- Keep the inside of the microwave clean. When food splatters or spilled liquids adhere to microwave walls, wipe with a damp cloth. Mild detergents may be used if the microwave gets very dirty. Avoid using spray or other harsh cleaners. They may stain, streak, or dull the door surface.
- The outside of the microwave should be cleaned with a damp cloth. To prevent damage to the operating parts inside the microwave, water should not be allowed to seep into the ventilation openings.
- Wipe the window on both sides with a damp cloth to remove any spills or splatters.
- Do not allow the control panel to become wet. Clean with a soft, damp cloth. When cleaning the panel, leave the microwave door open to prevent it from accidentally turning on.
- If steam accumulates inside or around the outside of the door, wipe with a soft cloth. This may occur when the microwave is operated under high humidity. This is normal.
- It may be necessary to remove the glass tray for cleaning. Wash the tray in warm, soapy water or in a dishwasher. The roller ring and microwave floor should be cleaned regularly to avoid excessive noise. Wipe the bottom surface of the microwave with a mild detergent.
- The roller ring may be washed in mild, soapy water or in a dishwasher. When removing the roller ring, be sure to replace it in the proper position.
- Remove odors from your microwave by combining a cup of water with the juice and skin of one lemon in a microwaveable bowl. Microwave for 5 minutes. Wipe thoroughly and dry with a soft cloth.
- If the light bulb burns out, please contact a certified electrician to have it replaced.
- The microwave should be cleaned regularly and any food deposits should be removed. Failure to maintain the microwave in a clean condition could lead to deterioration of surfaces that could adversely affect the life of the unit and could possibly result in a hazardous situation.
- Please do not dispose of this appliance into a regular garbage receptacle. Please check to see where you can dispose of such appliances.

