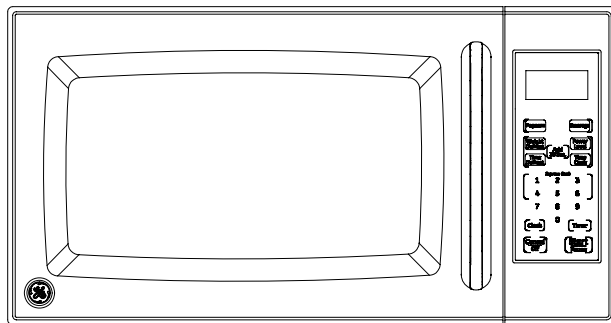


Model: P10034AL-XAA



Microwave Oven User's manual

Please read these instructions carefully before installing and operating the oven. Record in the space below the SERIAL NO. found on the nameplate on your oven and retain this information for future reference.

SERIAL NO.

This equipment generates, uses and can radiate radio frequency energy and, if not installed and used in accordance with the instructions, may cause harmful interference to radio communications. However, there is no guarantee that interference will not occur in a particular installation. If this equipment does cause harmful interference to radio or television reception, which can be determined by turning the equipment off and on, the user is encouraged to try to correct the interference by one or more of the following measures:

- Reorient or relocate the receiving antenna.
- Increase the separation between the equipment and receiver.
- Connect the equipment into an outlet on a circuit different from that to which the receiver is connected.
- Consult the dealer or an experienced radio/TV technician for help

					说明书 SED340XAH-PA0COA (P10034AL-XAA)				JS1M0609-18034-004			
标记	处数	更改单号	签字	日期								
设计	孙晴晴	标准化	谭银珠	图样标记	数量	重量	比例					
校对		审定	李志刚	S	A							
审核	王少云						1:1	佛山市顺德区格兰仕 微波炉电器有限公司				
工艺		日期	2011-9-19	共 16 页		第 1 页						

PRECAUTIONS TO AVOID POSSIBLE EXPOSURE TO EXCESSIVE MICROWAVE ENERGY

1. Do not attempt to operate this oven with the door-open since open-door operation can result in harmful exposure to microwave energy. It is important not to defeat or tamper with the safety interlocks.
2. Do not place any object between the oven front face and the door or allow soil or cleaner residue to accumulate on sealing surfaces.
3. Do not operate the oven if it is damaged. It is particularly important that the oven door close properly and that there is no damage to the:
 1. Door (bent),
 2. Hinges and latches (broken or loosened),
 3. Door seals and sealing surfaces.
4. The oven should not be adjusted or repaired by anyone except properly qualified service personnel.

CONTENT

PRECAUTIONS TO AVOID POSSIBLE EXPOSURE TO EXCESSIVE MICROWAVE ENERGY	2
IMPORTANT SAFETY INSTRUCTIONS	3
INSTALLATION GUIDE	5
GROUNDING INSTRUCTIONS	5
UTENSILS GUIDE	6
COOKING TECHNIQUES	7
SPECIFICATIONS	8
PART NAMES	9
CONTROL PANEL	10
OPERATION INSTRUCTIONS	11
SETTING THE CLOCK	11
TIME COOK	11
POWER LEVEL SETTING	11
TIME DEFROST	12
TIME COOK 1&2	12
WEIGHT DEFROST	13
SETTING CHILD LOCK	13
QUICK COOK SETTINGS	13
ADD 30 SECONDS	14
1-6 QUICK COOK	14
POPCORN	14
BEVERAGE	14
FOOD TESTING	15
CANCEL PAD	15
CANCEL PAD	15
KEY ADHESION PROTECTING	15
CHECK VERSION FUNCTION	15
CLEANING AND CARE	16

					说明书 SED340XAH-PA0COA (P10034AL-XAA)				JS1M0609-18034-004	
标记	处数	更改单号	签字	日期						
设计	孙晴晴	标准化	谭银珠		图样标记	数量	重量	比例		
校对		审定	李志刚		S	A				
审核	王少云							1:1	佛山市顺德区格兰仕 微波炉电器有限公司	
工艺		日期	2011-9-19		共 16 页		第 2 页			

IMPORTANT SAFETY INSTRUCTIONS

When using electrical appliances, basic safety precautions should be followed, including the following:
WARNING - To reduce the risk of burns, electric shock, fire, and injury to persons or exposure to excessive microwave energy:

1. Read all instructions before using the appliance.
2. Read and follow the specific "PRECAUTIONS TO AVOID POSSIBLE EXPOSURE TO EXCESSIVE MICROWAVE ENERGY" on page 1.
3. This appliance must be grounded. Connect only to properly grounded outlet. See "GROUNDING INSTRUCTIONS" on page 4.
4. Install or locate this appliance only in accordance with the provided installation instructions.
5. Some products such as whole eggs and sealed containers -for example, closed glass jars- are able to explode and should not be heated in this oven.
6. Use this appliance only for its intended use as described in this manual. Do not use corrosive chemicals or vapors in this appliance. This type of oven is specifically designed to heat, cook, or dry food. It is not designed for industrial or laboratory use.
7. As with any appliance, close supervision is necessary when used by children.
8. To reduce the risk of fire in the oven cavity:
 - a. Do not overcook food. Carefully attend appliance when paper, plastic, or other combustible materials are placed inside the oven to facilitate cooking.
 - b. Remove wire twist-ties from paper or plastic bags before placing bag in oven.
 - c. If materials inside the oven should ignite, keep oven door closed, turn oven off, and disconnect the power cord or shut off power at the fuse or circuit breaker panel.
 - d. Do not use the cavity for storage purposes. Do not leave paper products, cooking utensils or food in the cavity when not in use.
9. Liquids, such as water, coffee, or tea can be overheated beyond the boiling point without appearing to be boiling due to surface tension of the liquid. Visible bubbling or boiling when the container is removed from the microwave oven is not always present. **THEIS COULD RESULT IN VERY HOT LIQUIDS SUDDENLY BOILING OVER WHEN A SPOON OR OTHER UTENSIL IS INSERTED INTO THE LIQUID.** To reduce the risk of injury to person:
 - 1) Do not overheat the liquid.
 - 2) Stir the liquid both before and halfway through heating it.
 - 3) Do not use straight-sided containers with narrow necks.

					说明书 SED340XAH-PA0COA (P10034AL-XAA)				JS1M0609-18034-004	
标记	处数	更改单号	签字	日期						
设计	孙晴晴	标准化	谭银珠	图样标记		数量	重量	比例		
校对		审定	李志刚	S	A					
审核	王少云							1:1	佛山市顺德区格兰仕 微波炉电器有限公司	
工艺		日期	2011-9-19		共 16 页		第 3 页			

- 4) After heating, allow the container to stand in the microwave oven for a short time before removing the container.
- 5) Use extreme care when inserting a spoon or other utensil into the container.
10. Do not heat oil or fat for deep-frying. It is difficult to control the temperature of oil in microwave oven.
11. Pierce foods with heavy skins such as potatoes, whole squash, apples and chestnuts before cooking.
12. The contents of feeding bottles and baby jars should be stirred or shaken and the temperature should be checked before serving in order to avoid burns.
13. Cooking utensils may become hot because of heat transferred from the heated food. Potholders may be needed to handle the utensil.
14. Do not cover or block any openings on the appliance.
15. Do not store or use this appliance outdoors. Do not use this product near water, for example, near a kitchen sink, in a wet basement, near a swimming pool, or similar locations.
16. Do not operate this appliance if it has a damaged cord or a plug, if it is not working properly or if it has been damaged or dropped.
17. Do not immerse cord or plug in water. Keep cord away from heated surface. Do not let cord hang over edge of table or counter.
18. Use only thermometers, which are specifically designed for use in microwave ovens.
19. Do not operate any heating or cooking appliance beneath this appliance.
20. Be certain the glass tray and roller rings are in place when you operate the oven
21. This appliance should be serviced only by qualified service personnel, contact nearest authorized service facility for examination, repair, or adjustment.
22. When cleaning surfaces of door and oven that comes together on closing the door, use only mild, nonabrasive soaps, or detergents applied with a sponge or soft cloth.

					说明书 SED340XAH-PA0COA (P10034AL-XAA)				JS1M0609-18034-004			
标记	处数	更改单号	签字	日期								
设计	孙晴晴	标准化	谭银珠		图样标记	数量	重量	比例				
校对		审定	李志刚		S	A						
审核	王少云							1:1				
工艺		日期	2011-9-19		共 16 页		第 4 页		佛山市顺德区格兰仕 微波炉电器有限公司			

INSTALLATION GUIDE

1. Make sure that all the packing materials are removed from the inside of the door.
5. For correct operation, the oven must have sufficient airflow. Allow 20cm of space above the oven, 10cm at back and 5cm at both sides. Do not cover or block any openings on the appliance. Do not remove feet on which oven stands.
2. Check the oven for any damage, such as misaligned or bent door, damaged door seals and sealing surface, broken or loose door hinges and latches and dents inside the cavity or on the door. If there is any damage, do not operate the oven but contact qualified service personnel.
6. Do not operate the oven without glass tray, roller support, and shaft in their proper positions.
3. This microwave oven must be placed on a flat, stable surface to hold its weight and the heaviest food likely to be cooked in the oven.
7. Make sure that the power supply cord is undamaged and does not run under the oven or over any hot or sharp surface.
4. Do not place the oven where heat, moisture, or high humidity are generated, or near combustible materials.
8. The socket must be readily accessible so that it can be easily unplugged in an emergency.

GROUNDING INSTRUCTIONS

This appliance must be grounded. In the event of an electrical short circuit, grounding reduces risk of electric shock by providing an escape wire for the electric current.

WARNING Improper use of the grounding plug can result in a risk of electric shock.

Consult a qualified electrician or serviceman if the grounding instructions are not completely understood, or if doubt exists as to whether the appliance is properly grounded, and either:

- 1) If it is necessary to use an extension cord, use only a 3-wire extension cord that has a 3-blade grounding plug and a 3-slot receptacle that will accept the plug on the appliance. The marked rating of the extension cord shall be equal to or greater than the electrical rating of the appliance, or 2) Do not use an extension cord. If the power supply cord is too short, have a qualified electrician or serviceman install an outlet near the appliance.

ELECTRICAL REQUIREMENTS

The electrical requirements are a 120 volt 60 Hz, AC only, 20 amp. It is recommended that a separate

					说明书 SED340XAH-PA0COA (P10034AL-XAA)				JS1M0609-18034-004	
标记	处数	更改单号	签字	日期						
设计	孙晴晴	标准化	谭银珠	图样标记		数量	重量	比例		
校对		审定	李志刚	S	A			1:1		
审核	王少云			共 16 页		第 5 页		佛山市顺德区格兰仕 微波炉电器有限公司		
工艺		日期	2011-9-19							

circuit serving only the oven be provided. The oven is equipped with a 3-prong grounding plug. It must be plugged into a wall receptacle that is properly installed and grounded.

Power Supply Cord

1. A short power supply cord is provided to reduce the risks resulting from becoming entangled in or tripping over a longer cord.
2. Longer cord sets or extension cords are available and may be used if care is exercised in their use.
3. If long cord or extension cord is used:
 - a) The marked electrical rating of the cord set or extension cord should be at least as great as the electrical rating of the appliance.
 - b) The extension cord must be a grounding-type 3-wire cord, and The longer cord should be arranged so that it will not drape over the counter top or table top where it can be pulled on by children or tripped over unintentionally.

Notes:

If you have any questions about the grounding or electrical instructions, consult a qualified electrician or service person.

Neither the manufacturer nor the dealer can accept any liability for damage to the oven or personal injury resulting from failure to observe the electrical connection procedures.

Radio or TV Interference

Should there be any interference caused by the microwave oven to your radio or TV, check that the microwave oven is on a different circuit, relocated the radio or TV as far away from the oven as feasible or check position and signal of receiving antenna.

UTENSILS GUIDE

This section lists which utensils can be used in the microwave, which ones have limited use for short periods, and which ones should not be used in the microwave.



RECOMMENDED

Microwave browning dish — Use to brown the exterior of small items such as steaks, chops, or pancakes. Follow the directions provided with your browning dish.

Microwaveable plastic wrap — Use to retain steam. Leave a small opening for some steam to escape and avoid placing it directly on the food.

Paper towels and napkins — Use for short-term heating and covering; these absorb excess moisture and prevent spattering. Do not use recycled paper towels, which may contain metal and could ignite.

Glass and glass-ceramic bowls and dishes — Use for heating or cooking.

Paper plates and cups — Use for short-term heating at low temperatures. Do not use recycled paper, which may contain metal and could ignite.

Wax paper — Use as a cover to prevent spattering.

					说明书 SED340XAH-PA0COA (P10034AL-XAA)				JS1M0609-18034-004	
标记	处数	更改单号	签字	日期						
设计	孙晴晴	标准化	谭银珠		图样标记	数量	重量	比例		
校对		审定	李志刚		S	A				
审核	王少云							1:1	佛山市顺德区格兰仕 微波炉电器有限公司	
工艺		日期	2011-9-19		共 16 页		第 6 页			

Thermometers — Use only those labeled "Microwave Safe" and follow all directions. Check the food in several places. Conventional thermometers may be used on microwave food once the food has been removed from the oven.

A LIMITED USE

Aluminum foil — Use narrow strips of foil to prevent overcooking of exposed areas. Using too much foil can damage your oven, so be careful. You should keep distance of 1 inch (2.54cm) between aluminum foil and cavity.

Ceramic, porcelain, and stoneware — Use these if they are labeled "Microwave Safe". If they are not labeled, test them to make sure they can be used safely.

Plastic — Use only if labeled "Microwave Safe". Other plastics can melt.

*** Not Recommended**

Glass jars and bottles — Regular glass is too thin to be used in a microwave. It can shatter and cause damage and injury.

Paper bags — These are a fire hazard, except for popcorn bags that are designed for microwave use.

Styrofoam plates and cups — These can melt and leave an unhealthy residue on food.

Plastic storage and food containers — Containers such as margarine tubs can melt in the microwave.

Metal utensils — These can damage your oven. Remove all metal before cooking.

Note: Should you wish to check if a dish is safe for microwaving, place the empty dish in the oven and microwave on HIGH for 30 seconds. A dish which becomes very hot should not be used.

COOKING TECHNIQUES

Your microwave makes cooking easier than conventional cooking, provided you keep these considerations in mind:

STIRRING

Stir foods such as casseroles and vegetables while cooking to distribute heat evenly. Food at the outside of the dish absorbs more energy and heats more quickly, so stir from the outside to the center. The oven will turn off when you open the door to stir your food.

ARRANGEMENT

Arrange unevenly shaped foods, such as chicken pieces or chops, with the thicker, meatier parts toward the outside of the turntable where they receive more microwave energy. To prevent overcooking, place delicate areas, such as asparagus tips, toward the center of the turntable.

SHIELDING

					说明书 SED340XAH-PA0COA (P10034AL-XAA)				JS1M0609-18034-004				
标记	处数	更改单号	签字	日期									
设计	孙晴晴	标准化	谭银珠						图样标记	数量	重量	比例	
校对		审定	李志刚		S	A							
审核	王少云							1:1					
工艺		日期	2011-9-19		共 16 页		第 7 页						
										佛山市顺德区格兰仕 微波炉电器有限公司			

Shield food with narrow strips of aluminum foil to prevent overcooking. Areas that need shielding include poultry wing tips, the ends of poultry legs, and corners of square baking dishes. Use only small amounts of aluminum foil. Larger amounts can damage your oven.

TURNING

Turn foods over midway through cooking to expose all parts to microwave energy. This is especially important with large foods such as roasts.

STANDING

Foods cooked in the microwave build up internal heat and continue to cook for a few minutes after heating stops. Let foods stand to complete cooking, especially foods such as cakes and whole vegetables. Roasts need this time to complete cooking in the center without overcooking the outer areas. All liquids, such as soup or hot chocolate, should be shaken or stirred when cooking is complete. Let liquids stand a moment before serving. When heating baby food, stir well at removal and test the temperature before serving.

ADDING MOISTURE

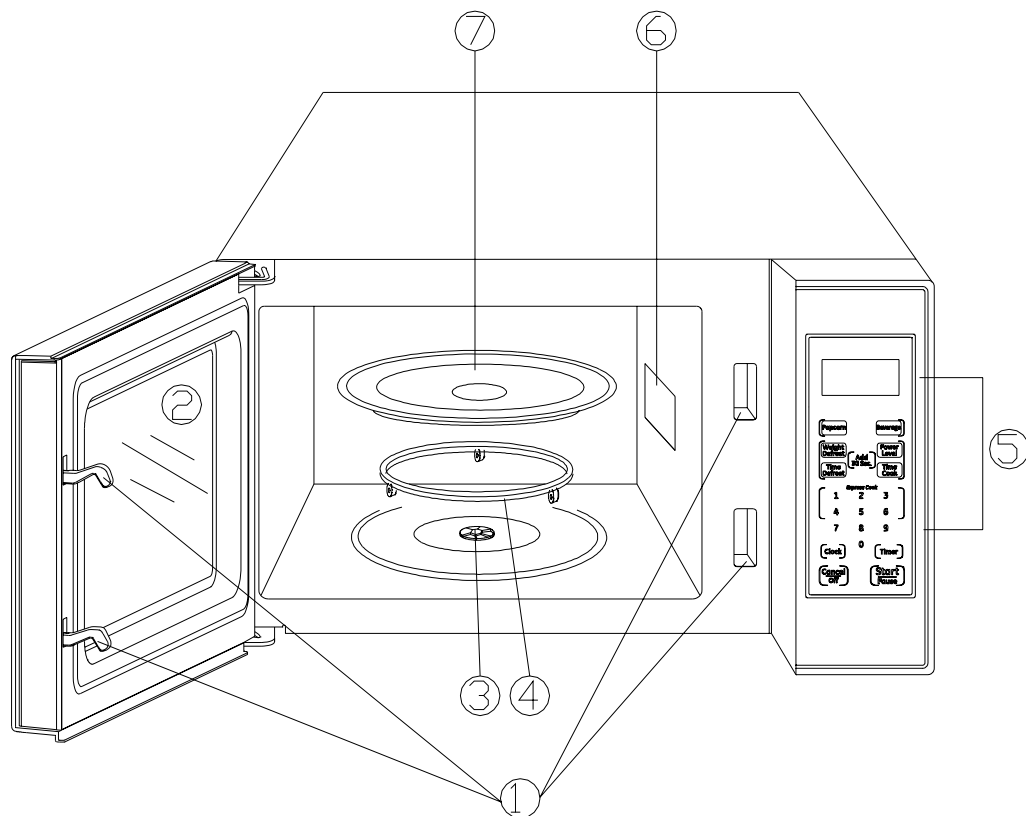
Microwave energy is attracted to water molecules. Food that is uneven in moisture content should be covered or allowed to stand so that the heat disperses evenly. Add a small amount of water to dry food to help it cook.

SPECIFICATIONS

Power Consumption:	120V~60Hz, 1450W (MICROWAVE)
Output:	1000W
Operation Frequency:	2450MHz
Outside Dimensions(HxWxD):	11 13/16×21 1/4×16 1/2in.
Oven Cavity Dimensions(HxWxD):	9 7/16×14 13/16×16 in.
Oven Capacity:	1.2cu.ft
Net Weight:	Approx. 38.1lb.

					说明书 SED340XAH-PA0COA (P10034AL-XAA)				JS1M0609-18034-004	
标记	处数	更改单号	签字	日期						
设计	孙晴晴	标准化	谭银珠		图样标记	数量	重量	比例		
校对		审定	李志刚		S	A				
审核	王少云							1:1	佛山市顺德区格兰仕 微波炉电器有限公司	
工艺		日期	2011-9-19		共 16 页		第 8 页			

PART NAMES



1. Door Safety Lock System
2. Oven Window
3. Shaft
4. Roller Ring
5. Control Panel
6. Wave Guide (Please do not remove the mica plate covering the wave guide.)
7. Glass Tray

					说明书 SED340XAH-PA0COA (P10034AL-XAA)				JS1M0609-18034-004	
标记	处数	更改单号	签字	日期						
设计	孙晴晴	标准化	谭银珠		图样标记	数量	重量	比例		
校对		审定	李志刚		S	A		1:1	佛山市顺德区格兰仕 微波炉电器有限公司	
审核	王少云									
工艺		日期	2011-9-19	共 16 页		第 9 页				

OPERATION INSTRUCTIONS

SIGNALS DURING OVEN SETTINGS

ONE SIGNAL: Oven accepts the entry.

TWO SIGNALS: Oven does not accept the entry, check and try again.

When plug in, "88:88" display, and "PF" display after 10 seconds, press any pad to cancel it, or press CANCEL/OFF pad once, the display turn to blank.

During cooking program, press START/PAUSE or open the door to pause the program, then press START/PAUSE to resume. Press CANCEL/OFF once to cancel the program. During the setting mode, the system will return to waiting mode, if there have not any operate in 10 seconds.

End will display with beeps to remind the program is over, and it will sound every 60 seconds until you press CANCEL/OFF pad or open the door.

SETTING THE CLOCK

1. Touch CLOCK pad.
2. Use the number pads to enter the correct time.
3. Touch CLOCK pad again.

NOTE: This is a 12-hour clock. During cooking, you can press CLOCK to check the clock time.

TIME COOK

1. Place food into oven, and close the door.
2. Press TIME COOK pad once.
3. Press number pads to enter the cooking time (The maximum is 99 minutes and 99 seconds).
4. Press START/PAUSE to confirm

Note: During cooking program, the default power is 100%, you can change it

POWER LEVEL SETTING

You can setting the power level after enter the cooking time or during the program by pressing the POWER LEVEL and number pads. When the add 30 seconds, 1-6 quick start, time cook and time defrost program is working or pausing, you can change the power level. But during grill, weight defrost

					说明书 SED340XAH-PA0COA (P10034AL-XAA)				JS1M0609-18034-004		
标记	处数	更改单号	签字	日期							
设计	孙晴晴	标准化	谭银珠	图样标记	数量	重量	比例				
校对		审定	李志刚	S	A			1:1	佛山市顺德区格兰仕 微波炉电器有限公司		
审核	王少云										
工艺		日期	2011-9-19	共 16 页		第 11 页					

and popcorn, beverage program you cannot change the power level. You also can check the power level by pressing POWER LEVEL.

Suppose to setting the power level during the cooking or after setting the cooking time in time cook or time defrost program:

1. Press POWER LEVEL pad after setting the cooking time or during the cooking mode.
2. Press number pad to set the power level. The system will return to the mode before the power level setting after 3 seconds,

Use single digits to set a cooking power level:

Number pad	Cooking power
1,0	100%
9	90%
8	80%
7	70%
6	60%
5	50%
4	40%
3	30%
2	20%
1	10%

TIME DEFROST

1. Place food into oven, and close the door.
2. Touch TIME DEFROST.
3. Enter desired defrosting time by touching correct number pads (max. 99:99).
4. Touch START/PAUSE.

NOTE: The default power level is 30%, and it can be changed by user. During the defrost program, open the door, "door" display, and "TIME", "DEF" will flash after 2 seconds until the door is closed, then press START/PAUSE to confirm.

TIME COOK 1&2

1. Place food into oven, and close the door.

					<p style="text-align: center;">说明书 SED340XAH-PA0COA (P10034AL-XAA)</p>				JS1M0609-18034-004	
标记	处数	更改单号	签字	日期						
设计	孙晴晴	标准化	谭银珠	图样标记						
校对		审定	李志刚	S	A			1:1	佛山市顺德区格兰仕 微波炉电器有限公司	
审核	王少云									
工艺		日期	2011-9-19	共 16 页		第 12 页				

2. Enter the first cooking program.
3. Enter the second cooking program. The system enter the multi-stage program."tc-2"display for a second, then ":0", "set" and "time" flash. Then enter the cooking time .
4. Press START/PAUSE to confirm.

WEIGHT DEFROST

1. Place food into oven and close the door.
2. Touch WEIGHT DEFROST pad.
3. Press the number pads to enter weight (max. 6.0lb.).
4. Touch START/PAUSE pad.

NOTE:

- Weight must be in pounds and ounces. Ounce weights less than 10 must be preceded by a 0. If label gives weight in pounds only, change the fraction of a pound to ounces using the chart given above.
- During defrosting the system will sound to remind user to turn food over, press weight defrost once or open the door directly to turn food over.

SETTING CHILD LOCK

The safety lock prevents unsupervised operation by children.

To set, in standby mode, press and hold CANCEL/OFF for 3 seconds. LOC is indicated on the display for 2 seconds with beeps.

To cancel, in standby mode, press and hold CANCEL/OFF for 3 seconds. UNLO indication display for 2 seconds with beeps. The system will return to normal.

QUICK COOK SETTINGS

The QUICK COOK settings allow you to cook or reheat food automatically without entering power level or time. The default power level is 100%. And you can change it by your desire.

					说明书 SED340XAH-PA0COA (P10034AL-XAA)				JS1M0609-18034-004		
标记	处数	更改单号	签字	日期							
设计	孙晴晴	标准化	谭银珠		图样标记	数量	重量	比例			
校对		审定	李志刚		S	A			1:1	佛山市顺德区格兰仕 微波炉电器有限公司	
审核	王少云										
工艺		日期	2011-9-19		共 16 页		第 13 页				

ADD 30 SECONDS

Touch add 30 seconds pad." 30", "time", "micro" display, the system will start immediately.

During the cooking program (except popcorn, beverage and weight defrost), Add cooking time 30 seconds press add 30 seconds every time until 99 minutes and 99 seconds.

1-6 QUICK COOK

In waiting mode, touch the number pad (1-6) once. The number, "time" and "micro" display, the system will start immediately.

Touch	Display
1	1:00
2	2:00
3	3:00
4	4:00
5	5:00
6	6:00

POPCORN

Touch POPCORN once. "3.0", "set", "oz" display, the system will start immediately.

You can select the serving by touching POPCORN a number of times in 15 seconds. After the 15 second, "set", "oz" disappear, you cannot change the serving. During cooking program, "door" display for 2 seconds when the door is opened, close the door and press START/PAUSE to confirm.

BEVERAGE

Touch BEVERAGE once. "4.0", "set", "oz" display, the system will start immediately.

You can select the serving by touching BEVERAGE a number of times in 15 seconds. After the 15 second, "set", "oz" disappear, you cannot change the serving. During cooking program, "door" display for 2 seconds when the door is opened, close the door and press START/PAUSE to confirm.

					说明书 SED340XAH-PA0COA (P10034AL-XAA)				JS1M0609-18034-004	
标记	处数	更改单号	签字	日期						
设计	孙晴晴	标准化	谭银珠	图样标记						
校对		审定	李志刚	S	A			1:1	佛山市顺德区格兰仕 微波炉电器有限公司	
审核	王少云									
工艺		日期	2011-9-19	共 16 页		第 14 页				

FOOD TESTING

If the food be placed into oven before select the food menu, the 5 minutes will start when the door is closed. You can enter the cooking program in the 5 minutes

When the program is over, pause or cancel, the 5 minutes will restart, user can setting other program. If the user open the door to turn food or place food in, the 5 minutes will start when the door is closed. When the 5 minutes is over, the user should open and close the door or press cancel/off once, then enter the other cooking program.

CANCEL PAD

In any mode (except the timer setting),press cancel/off pad to cancel the setting, the system will return to waiting mode.

CANCEL PAD

In any mode (except the timer setting),press cancel/off pad to cancel the setting, the system will return to waiting mode.

KEY ADHESION PROTECTING

In any mode, if the membrane switch closed for 60 seconds, the system will stop and return to waiting mode, and "fall" display with beeps, and it will sound every minute until the fault is cleared.

CHECK VERSION FUNCTION

In waiting mode, press"7", "8" and "START/PAUSE" together, the version of oven will display for 3 seconds, and the model number will display the next 3 seconds.

					<p style="text-align: center;">说明书 SED340XAH-PA0COA (P10034AL-XAA)</p>				<p style="text-align: center;">JS1M0609-18034-004</p>			
标记	处数	更改单号	签字	日期								
设计	孙晴晴	标准化	谭银珠	图样标记					数量	重量	比例	
校对		审定	李志刚	S	A			1:1	佛山市顺德区格兰仕 微波炉电器有限公司			
审核	王少云											
工艺		日期	2011-9-19	共 16 页		第 15 页						

CLEANING AND CARE

1. Turn off the oven and remove the power plug from the wall socket before cleaning.
2. Keep the inside of the oven clean. When food splatters or spilled liquids adhere to oven walls, wipe with a damp cloth. Mild detergent may be used if the oven gets very dirty. Avoid the use of spray and other harsh cleaners as they may stain, streak or dull the door surface.
3. The outside surfaces should be cleaned with a damp cloth. To prevent damage to the operating parts inside the oven, water should not be allowed to seep into the ventilation openings.
4. Wipe the window on both sides with a damp cloth to remove any spills or splatters.
5. Do not allow the control panel to become wet. Clean with a soft, damp cloth. When cleaning the control panel, leave oven door open to prevent oven from accidentally turning on.
6. If steam accumulates inside or around the outside of the oven door, wipe with a soft cloth. This may occur when the microwave oven is operated under high humidity conditions. In such case, it is normal.
7. It is occasionally necessary to remove the glass tray for cleaning. Wash the tray in warm sudsy water or in a dishwasher.
8. The roller ring and oven floor should be cleaned regularly to avoid excessive noise. Simply wipe the bottom surface of the oven with mild detergent. The roller ring may be washed in mild sudsy water or dishwasher. When removing the roller ring from cavity floor for cleaning, be sure to replace in the proper position.
9. Remove odors from your oven by combining a cup of water with the juice and skin of one lemon in a deep microwaveable bowl, microwave for 5 minutes. Wipe thoroughly and dry with a soft cloth.
10. When it becomes necessary to replace the oven light, please consult a dealer to have it replaced.
11. The oven should be cleaned regularly and any food deposits removed. Failure to maintain the oven in a clean condition could lead to deterioration of the surface that could adversely affect the life of the appliance and possibly result in a hazardous situation.
12. Please do not dispose this appliance into the domestic rubbish bin, it should be disposed to the particular disposal center provided by the municipalities.

					说明书 SED340XAH-PA0COA (P10034AL-XAA)				JS1M0609-18034-004		
标记	处数	更改单号	签字	日期							
设计	孙晴晴	标准化	谭银珠		图样标记	数量	重量	比例			
校对		审定	李志刚		S	A					
审核	王少云							1:1	佛山市顺德区格兰仕 微波炉电器有限公司		
工艺		日期	2011-9-19		共 16 页		第 16 页				