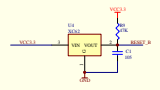
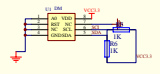


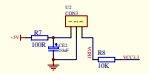
RESET



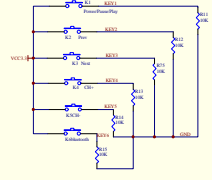
MEMORY



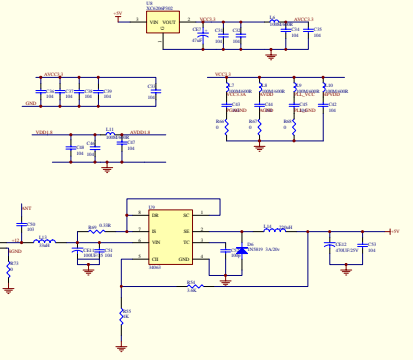
IRDA



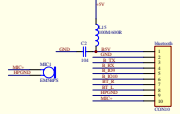
KEY



POWER



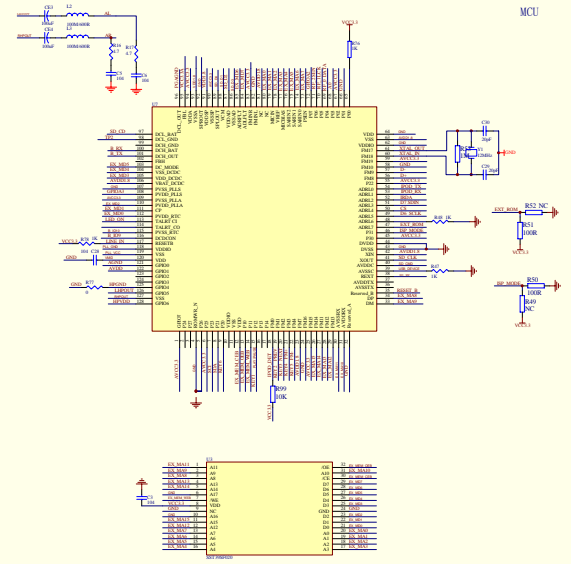
BLUETOOTH



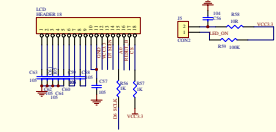
PHONE JACK



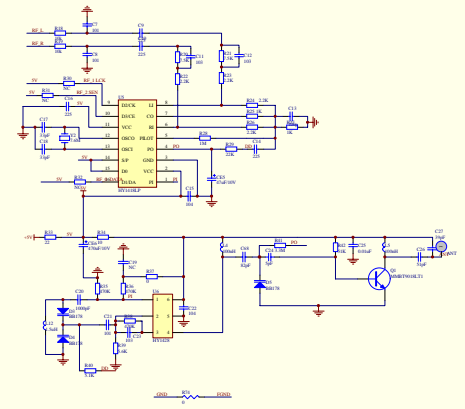
MCU



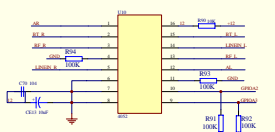
LCD



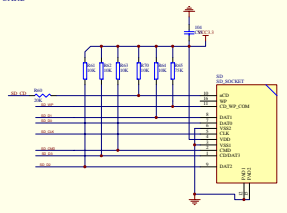
RF



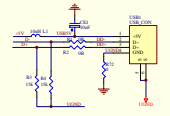
74HC4052



SD CARD



USB



REV	DATE	DESIGNER	CHECKER