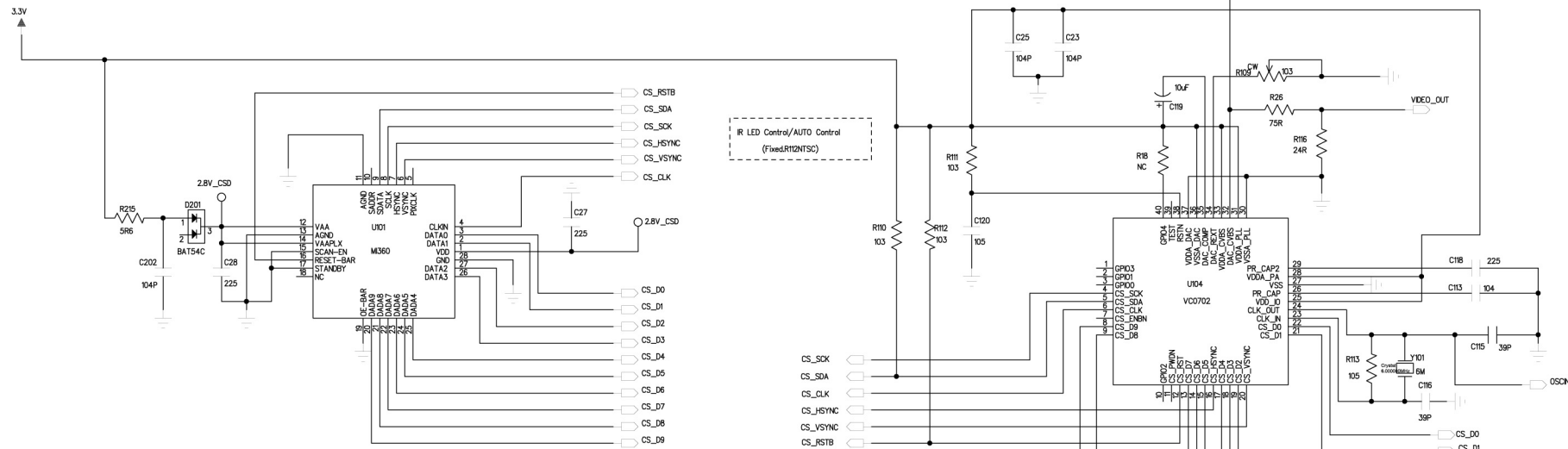
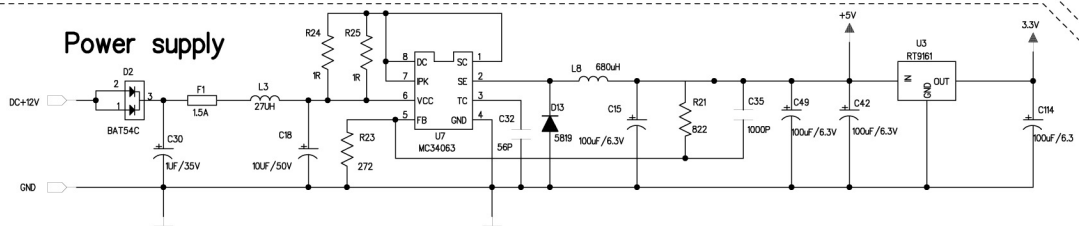


CMOS VC0702

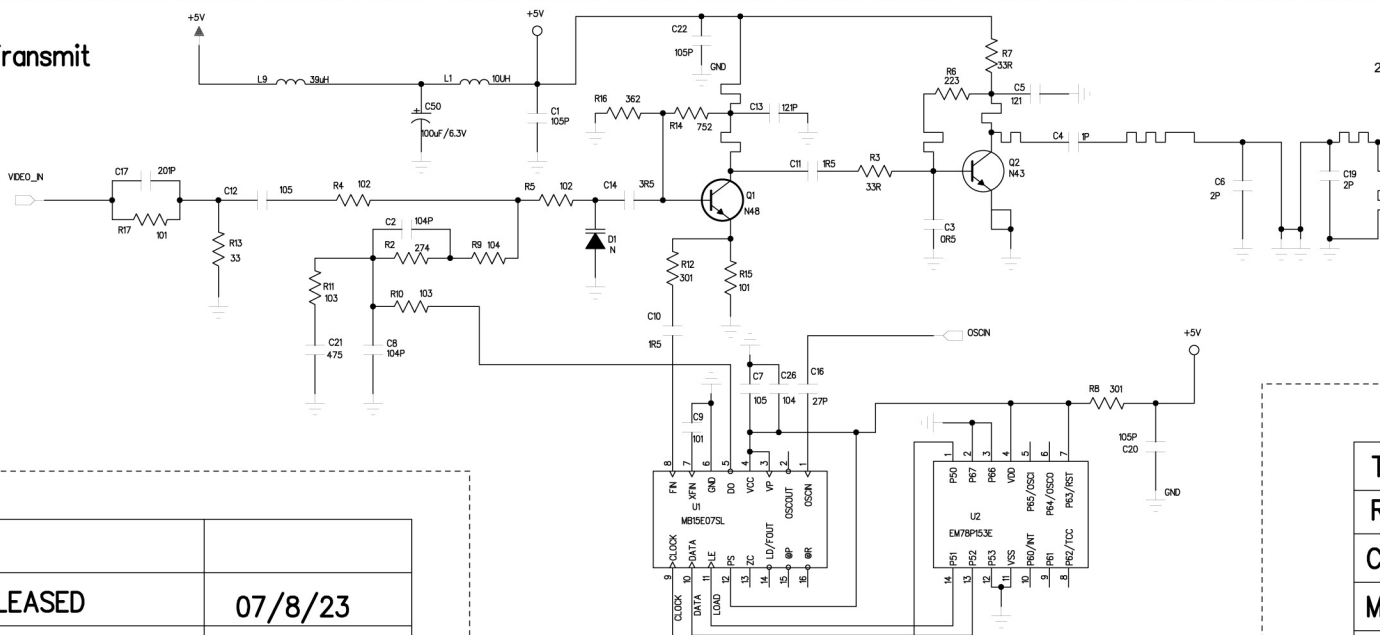


R LED Control/AUTO Control
(Fixed:RT12NTSC)

Power supply



2.4G Transmit



TITLE: SCHEMATIC DIAGRAM

REMARK:

CAD REF.:

DRAWN:

MODEL NO.: GB8910

CHKD:

PAGE OF

APRD:

F.N:		
1.0	FIRST RELEASED	07/8/23
REVISION	UPDATED DESCRIPTION	ISSUE DATE