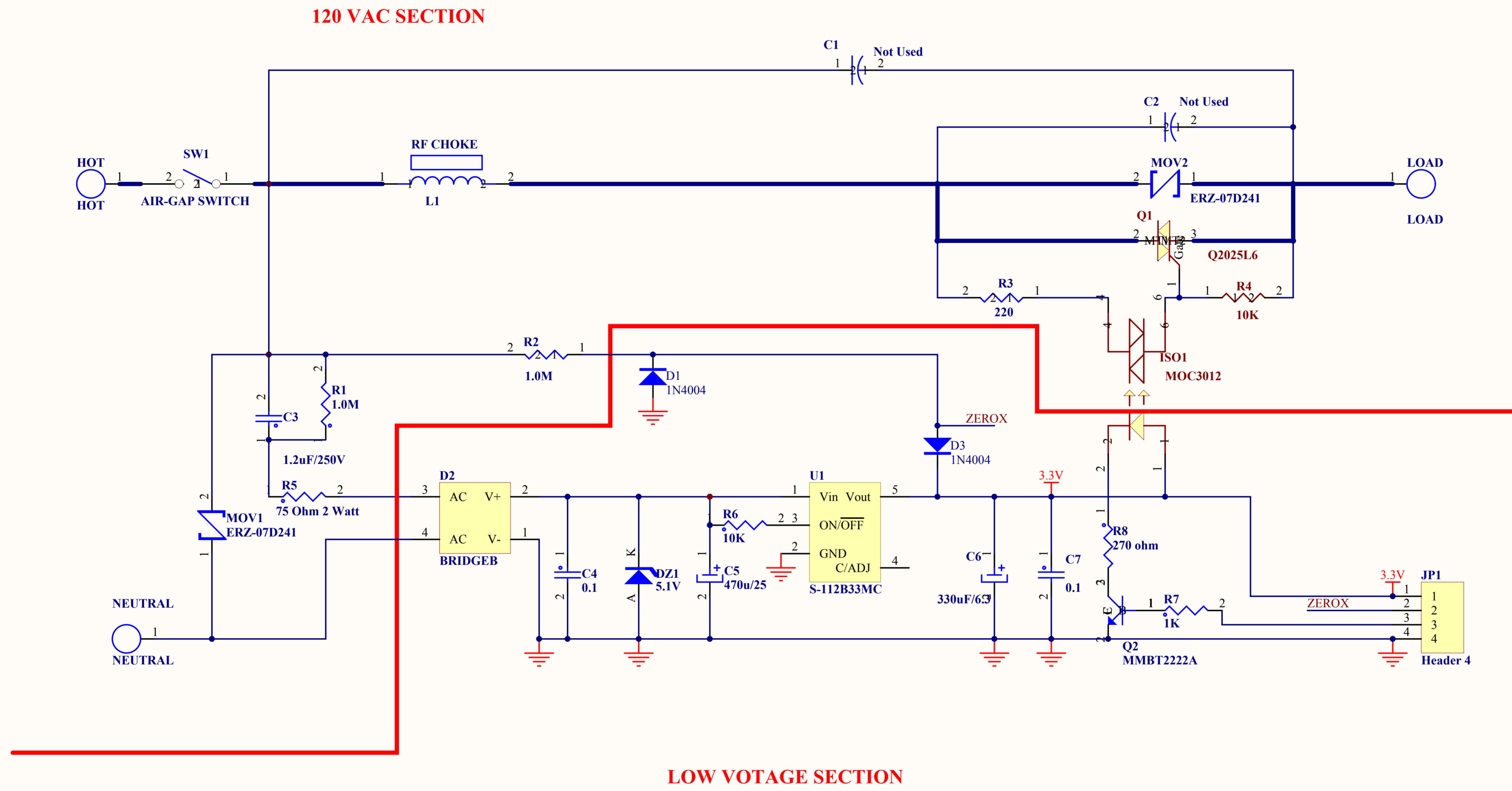


BOTTOM LED MIN LIGHT

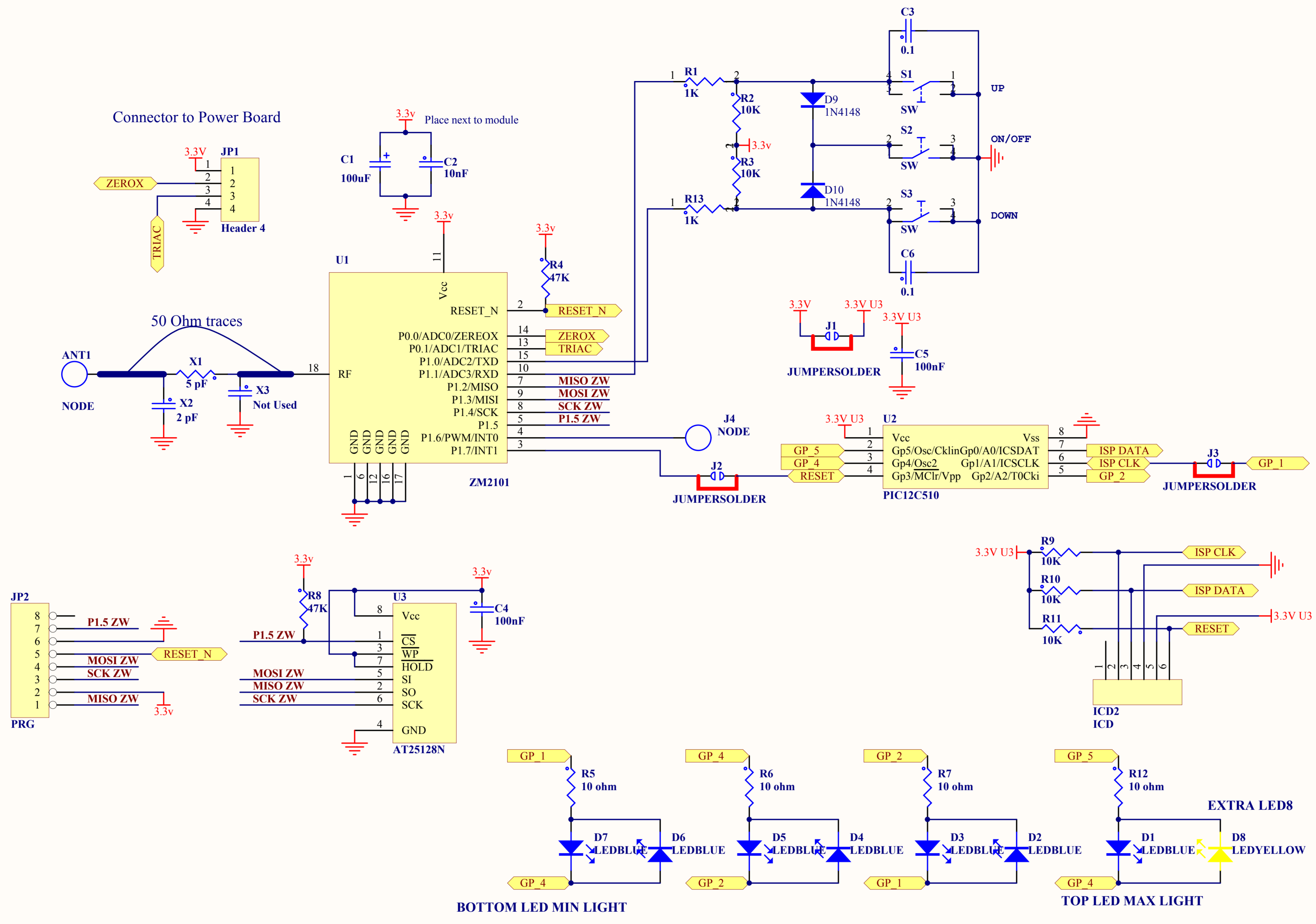
TOP LED MAX LIGHT



Title: RF9535-N - RF9357-N Control Board Schematic.SchDoc		
Size: B	Drawing Number: RF9535-N - RF9357-N Control Board Schematic.SchDoc	Revision:
Date: 07/03/2007	Sheet 1 of 1	
Path and File Name:		



Title: RF9535-N - RF9357-N Power Board Schematic		
Size: B	Drawing Number: RF9535-N - RF9357-N Power Board Schematic	Revision:
Date: 07/03/2007	Sheet 1 of 1	
Path and File Name:		

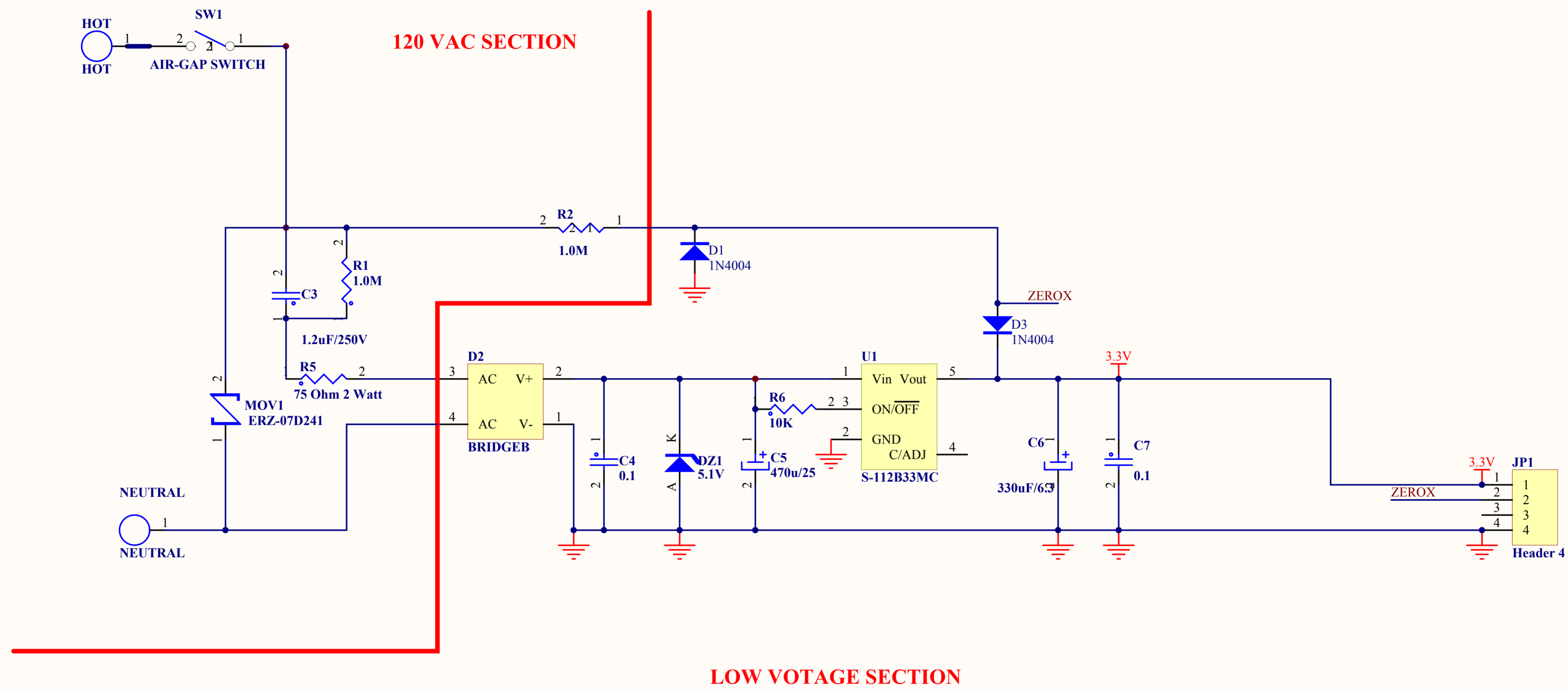


BOTTOM LED MIN LIGHT

TOP LED MAX LIGHT



Title: RF9542-Z Control Board Schematic		
Size: B	Drawing Number: RF9542-Z Control Board Schematic.SchDoc	Revision:
Date: 07/03/2007	Sheet 1 of 1	
Path and File Name:		



COOPER Wiring Devices

Title: RF9542-Z Power Board Schematic		
Size: B	Drawing Number: RF9542-Z Power Board Schematic,SchDoc	Revision:
Date: 07/03/2007	Sheet 1 of 1	
Path and File Name:		