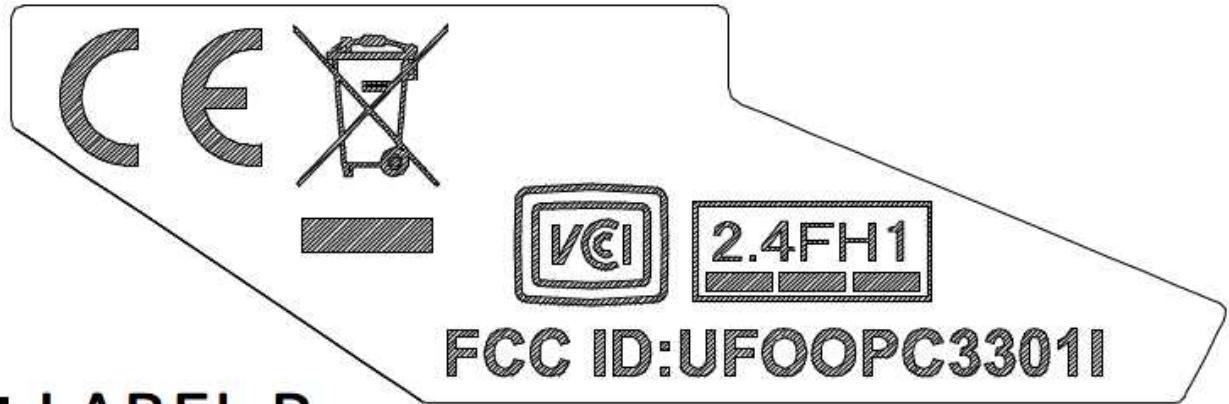
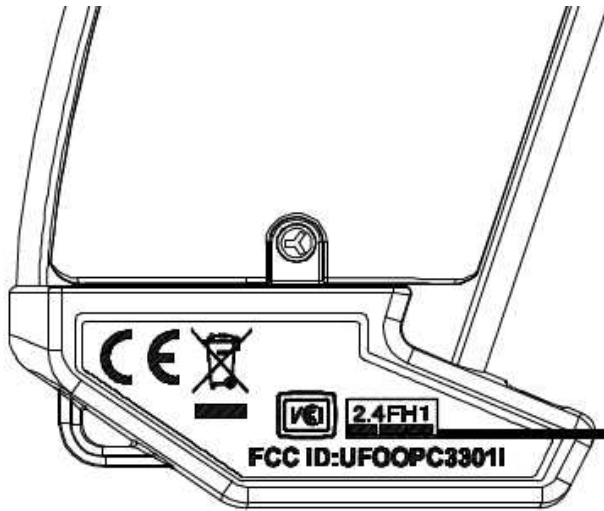


OPC-3301i



**LABEL R**

**OPC33017145-0-00**

OPTOELECTRONICS CO.,LTD.  
12-17,TSUKAGOSHI 4-CHOME,  
WARABI-SHI,SAITAMA,JAPAN  
Opticon Sensors Europe B.V.  
Opaalaan 35, 2132XV, Hoofddorp,  
The Netherlands  
MADE IN JAPAN

OPC-3301i

No.

1 X X X X X

LABEL L

OPC33017444-0-01

