

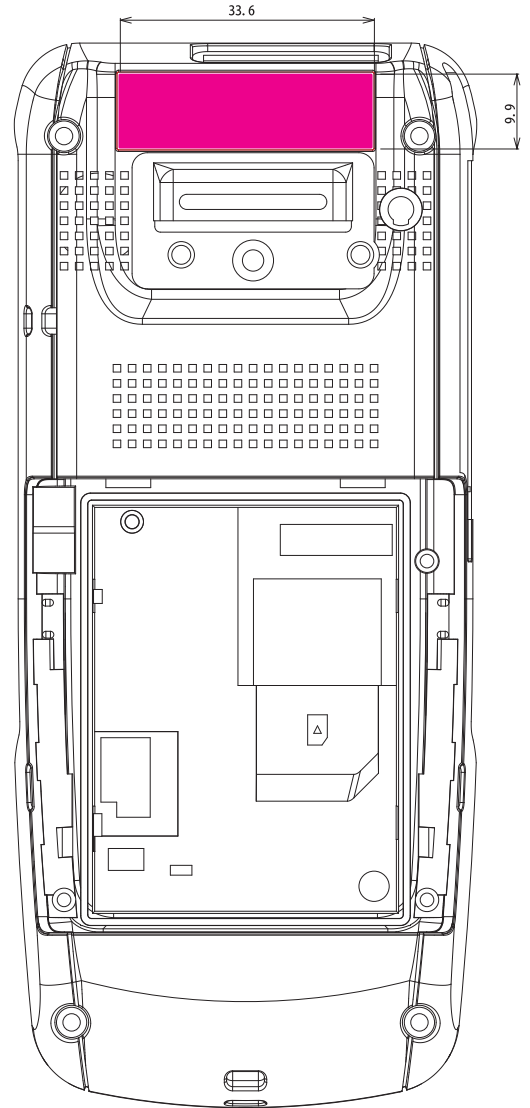
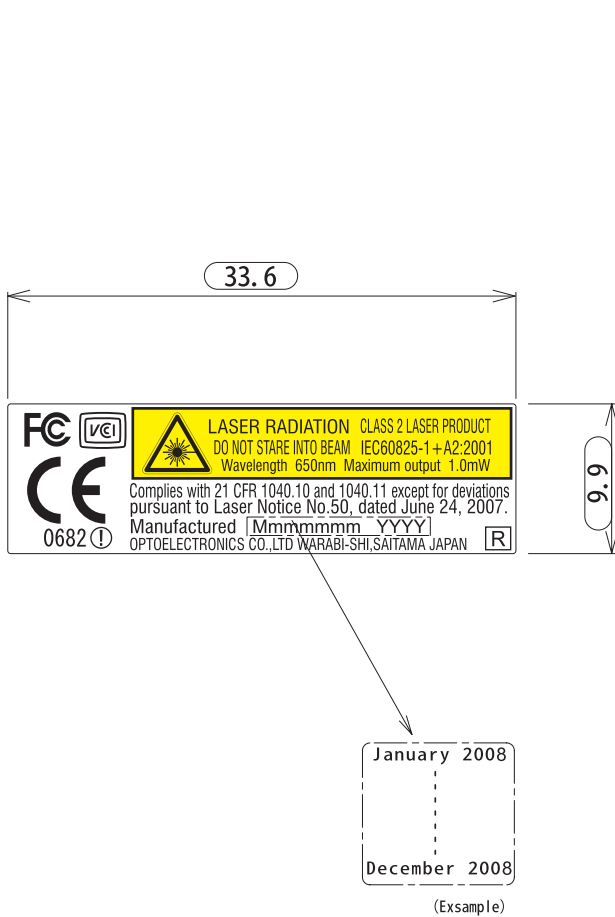
Label Plan for PEONY1(R)

3.1 Regulation label-main unit

3.1.1 Main unit Regulatory label 1

PART NUMBER : 6060B0472903

Description : LABEL,AGENCY,REEL,33.6mm,9.9mm



Device Label 1 contents:

- CE Mark+Number
- FCC Mark
- VCCI Mark

Unit	mm		
Tolerant	x	x.x	x.xx
mm		± 0.2	
Inch			

Label Plan	
Item	Device label 1
Date	07/24/2007
Model	Peony1
Version	01
Part number	6060B0472903
Notes	

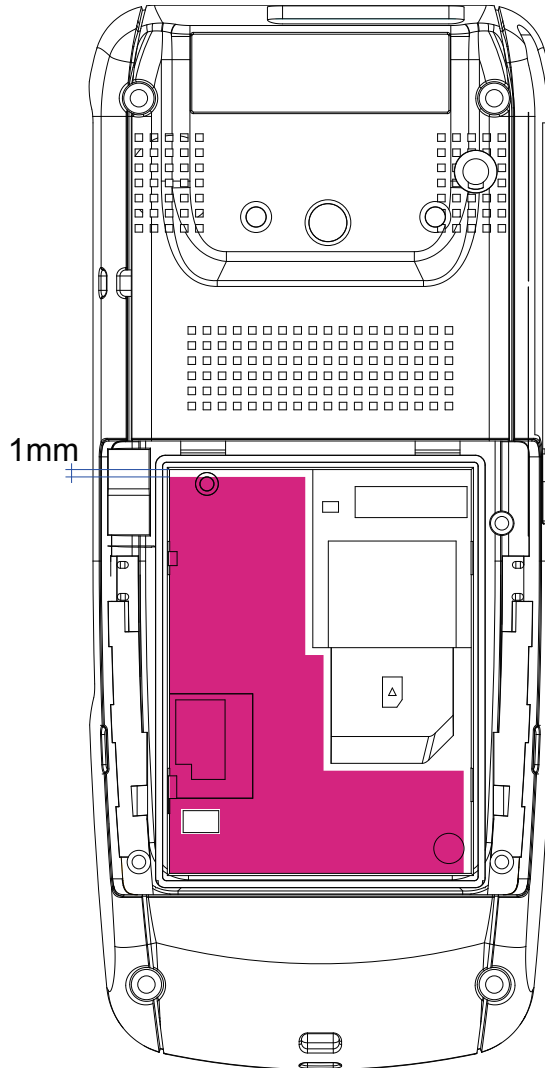
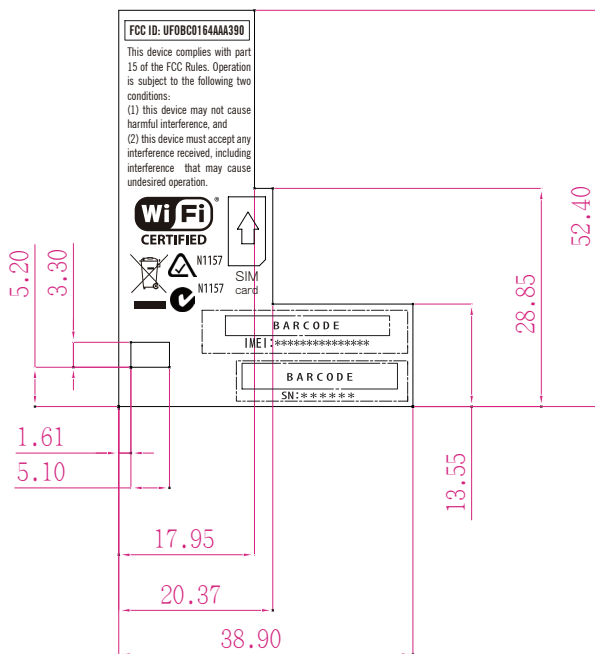
Label Plan for PEONY1(R)

3.1 Regulation label-main unit

3.1.2 Main unit Regulatory label 2

PART NUMBER : 6060B0475201

Description : LABEL,AGENCY,REEL,38.9mm,52.4mm



Device Label 2 contents:

- IMEI (Numeric + Barcode)
- Serial Number (Numeric + Barcode)
- WiFi Mark
- WEEE Mark
- AU Mark+Number
- A-tick Mark+Number

Unit	mm		
Tolerant	x	x.x	x.xx
mm		± 0.2	
Inch			

Label Plan	
Item	Device label 2
Date	07/24/2007
Model	Peony1
Version	01
Part number	6060B0475201
Notes	

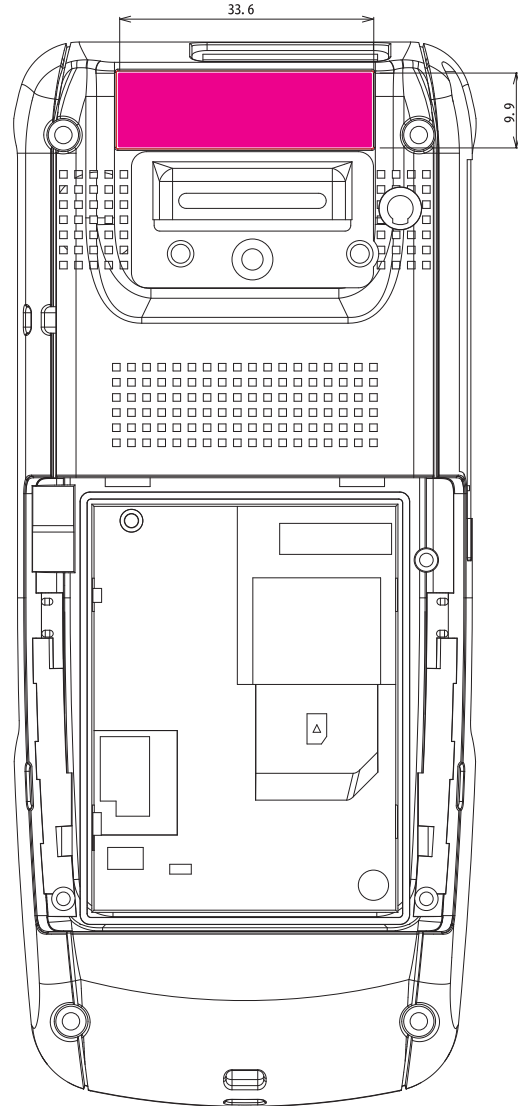
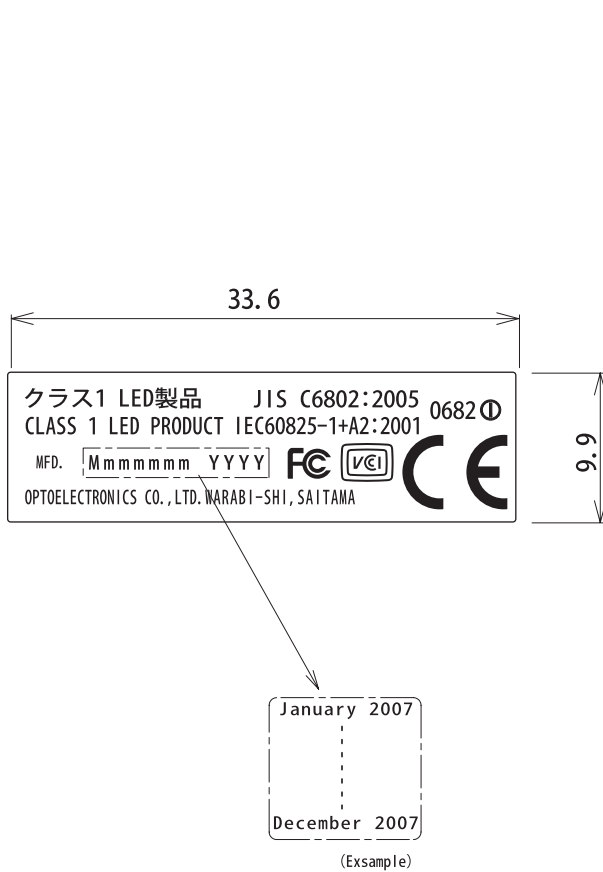
Label Plan for PEONY1(R)

3.1 Regulation label-main unit

3.1.1 Main unit Regulatory label 1

PART NUMBER : 6060B0472902

Description : LABEL,AGENCY,REEL,33.6mm,9.9mm



Device Label 1 contents:

- CE Mark+Number
- FCC Mark
- VCCI Mark

Unit	mm		
Tolerant	x	x.x	x.xx
mm		± 0.2	
Inch			

Label Plan	
Item	Device label 1
Date	07/24/2007
Model	Peony1
Version	01
Part number	6060B0472902
Notes	

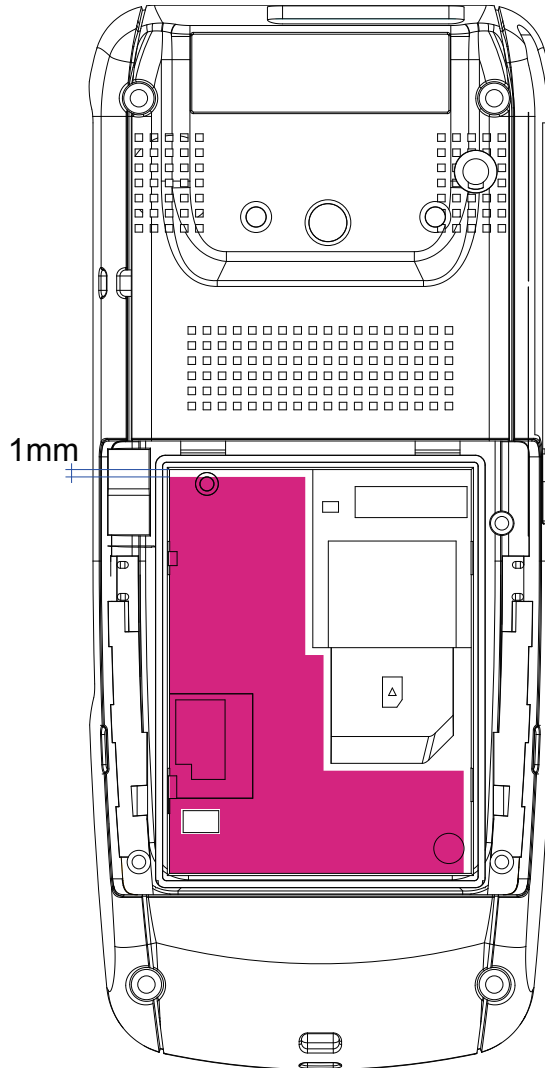
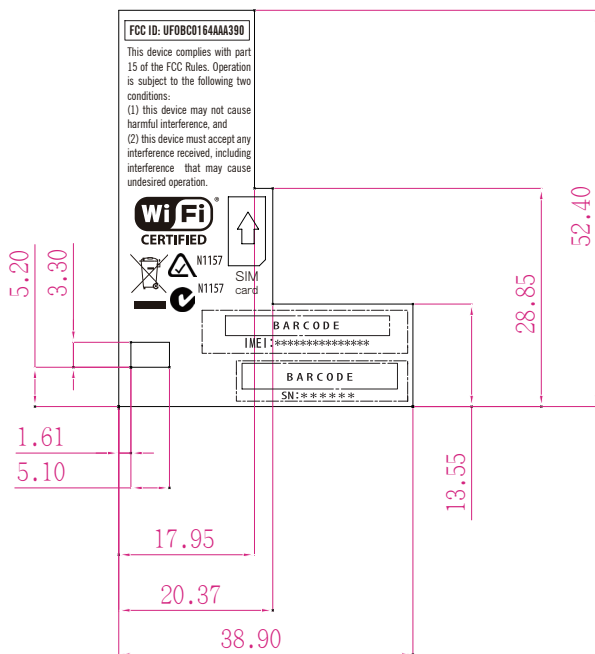
Label Plan for PEONY1(R)

3.1 Regulation label-main unit

3.1.2 Main unit Regulatory label 2

PART NUMBER : 6060B0475201

Description : LABEL,AGENCY,REEL,38.9mm,52.4mm



Device Label 2 contents:

- IMEI (Numeric + Barcode)
- Serial Number (Numeric + Barcode)
- WiFi Mark
- WEEE Mark
- AU Mark+Number
- A-tick Mark+Number

Unit	mm		
Tolerant	x	x.x	x.xx
mm		± 0.2	
Inch			

Label Plan	
Item	Device label 2
Date	07/24/2007
Model	Peony1
Version	01
Part number	6060B0475201
Notes	