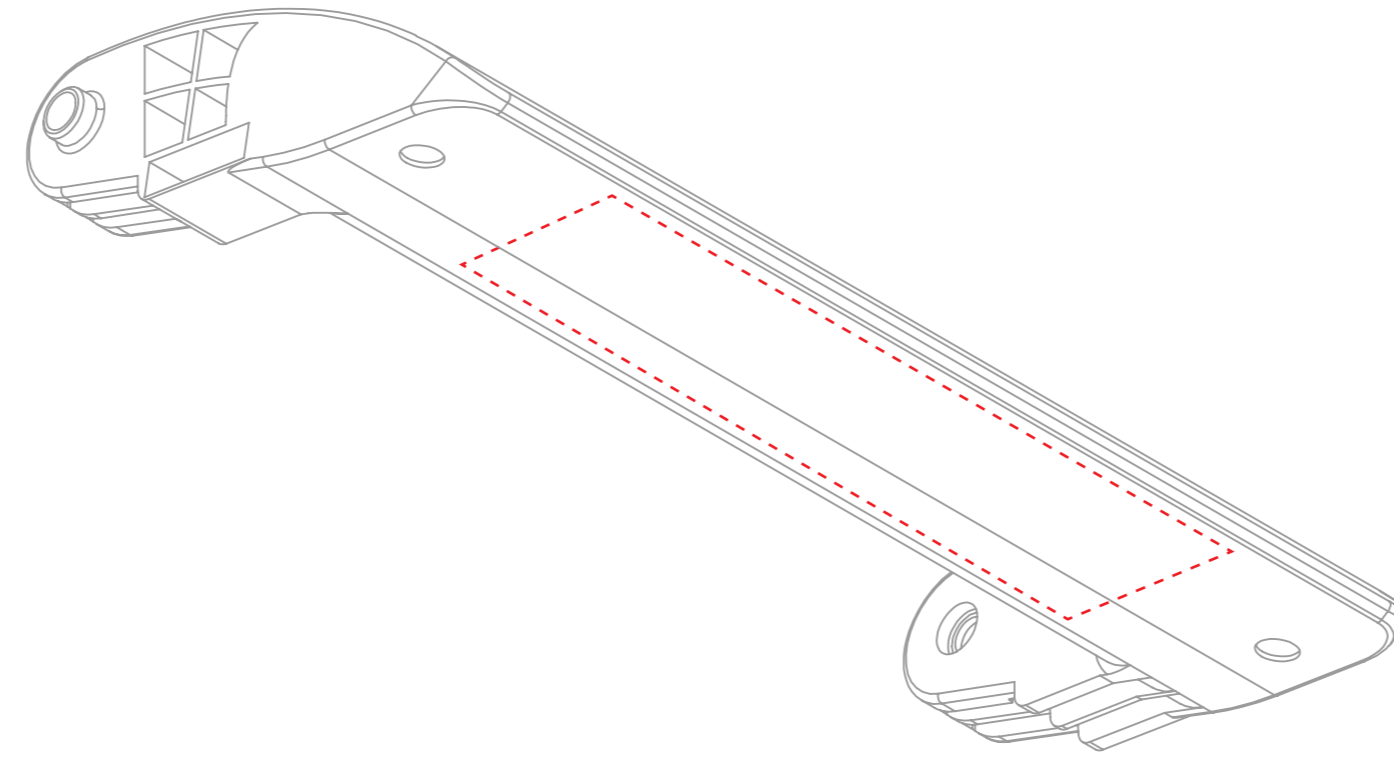
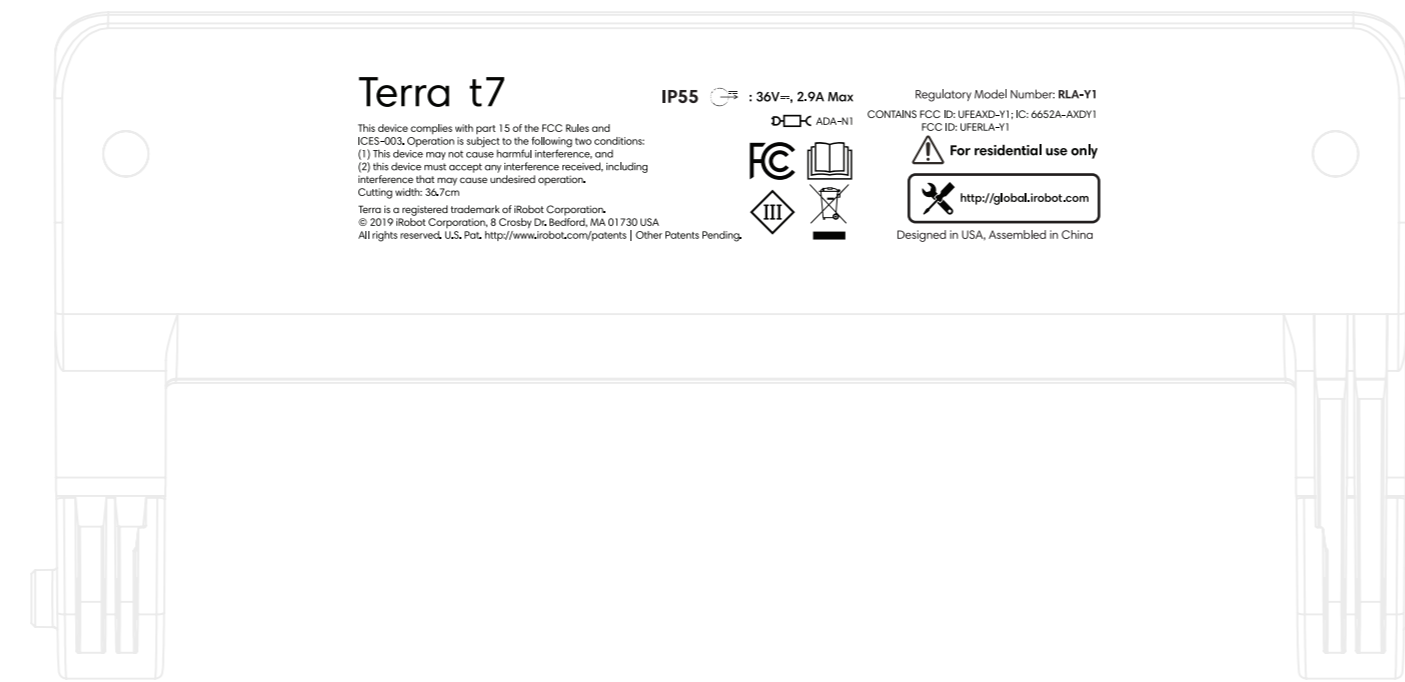


| Current Revision | | |
|---------------------|----------|----------|
| Change Description: | ECN: | Date: |
| Initial Release | ECN79391 | 06.26.19 |



NORTH AMERICA



LABEL
 COLOR = COOL GREY 6C
 PROCESS = LASER ETCHED

| | | |
|-----------------------------|---------------|------|
| Title: | Number: | REV: |
| Wichita regulatory label_NA | 4651987-20 | E |
| Created by: | Date: | |
| Insun Hong | 06.26.19 | |
| Used on: | iRobot | |