

Welcome to your Terra™ t7 Robot Mower

EN



This guide will cover the basics, and then you'll need to download the iRobot HOME App to complete your setup and access helpful features.

In the app, you can:

- Watch video overview and instructions about your robot
- Customize mower settings and grass-cut height
- Set mowing schedules
- Enable automatic software updates
- View tips, tricks, and FAQ's

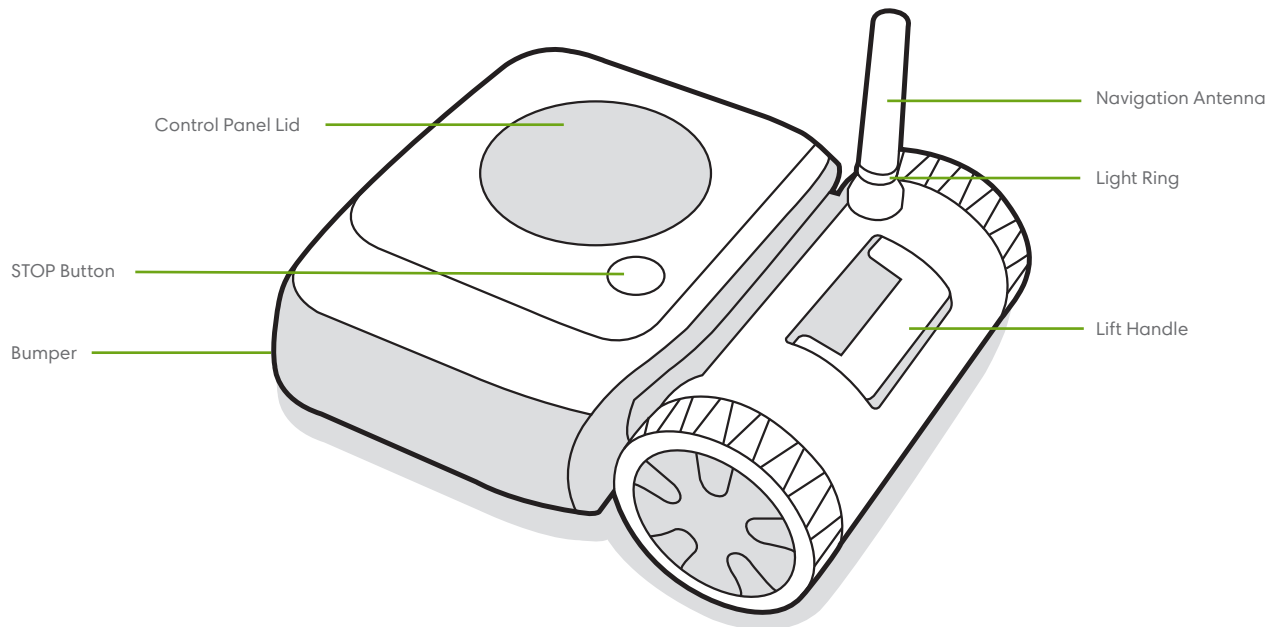
ORIGINAL INSTRUCTIONS

Before operating the robot lawn mower, you must read this Owners Guide and accompanying Safety Guide.

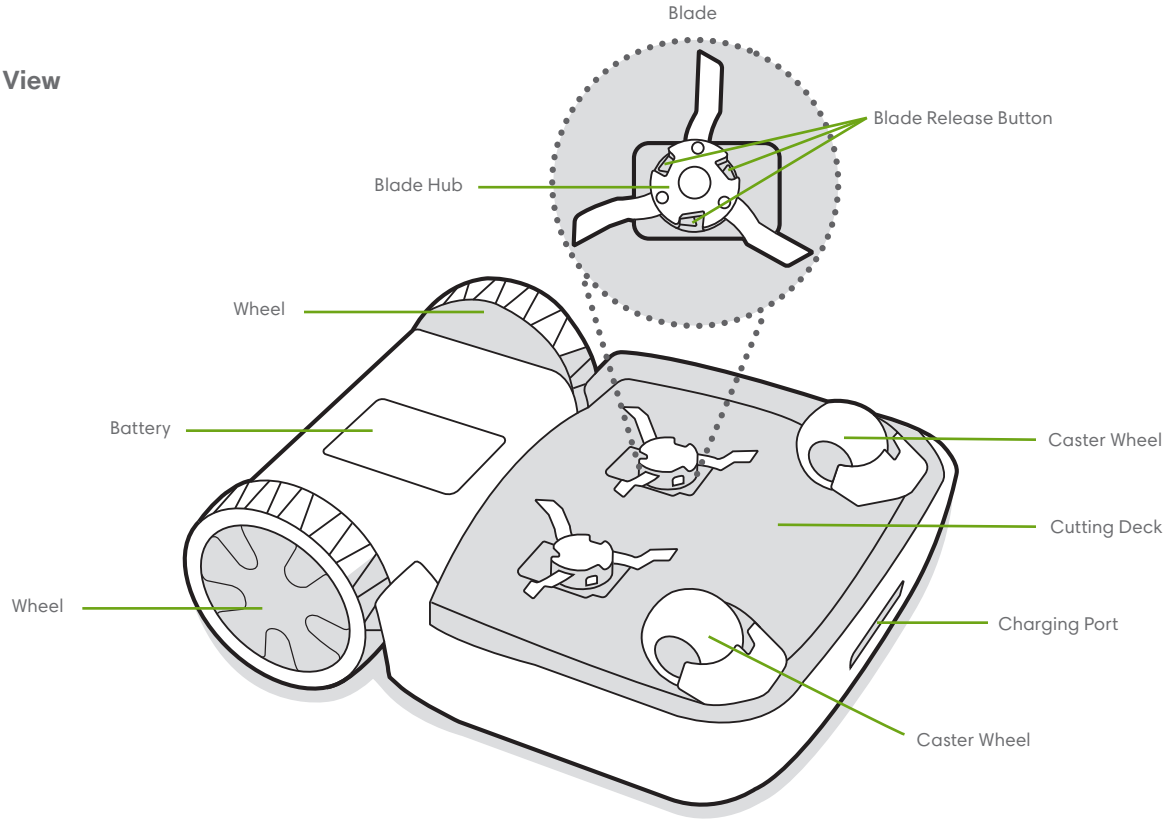
About your Terra™ t7 Robot Mower

Top View

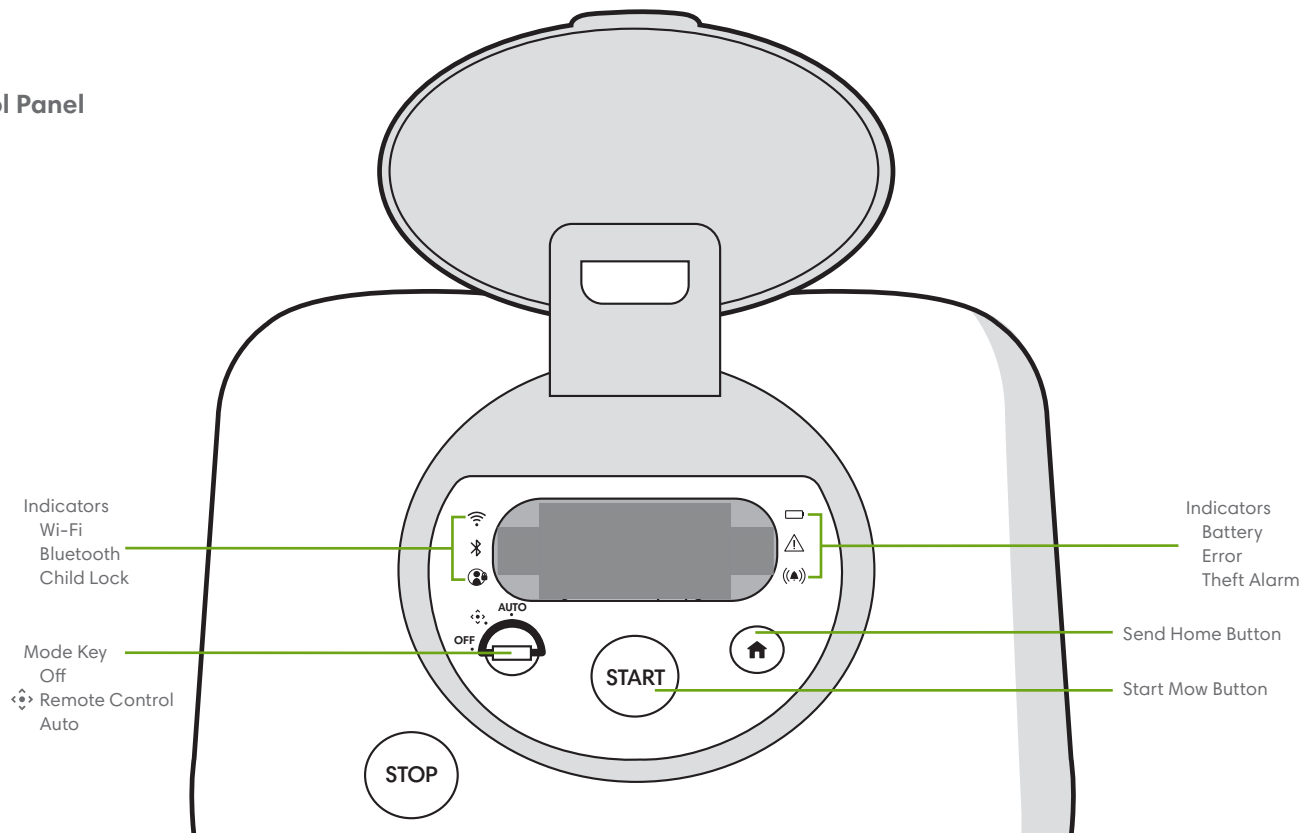
EN



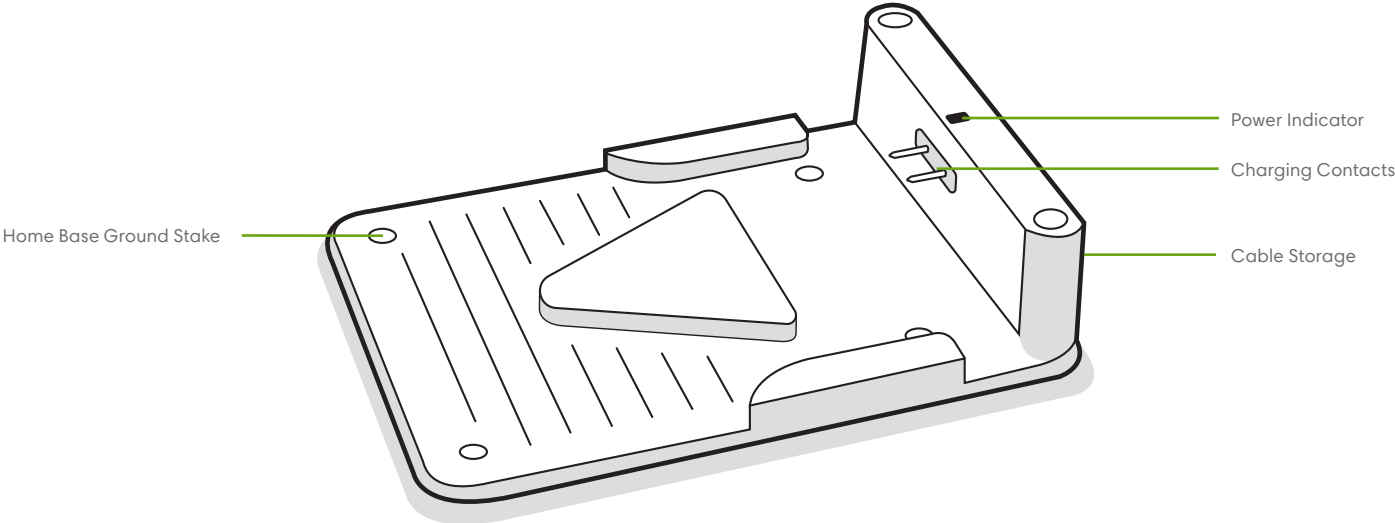
Bottom View



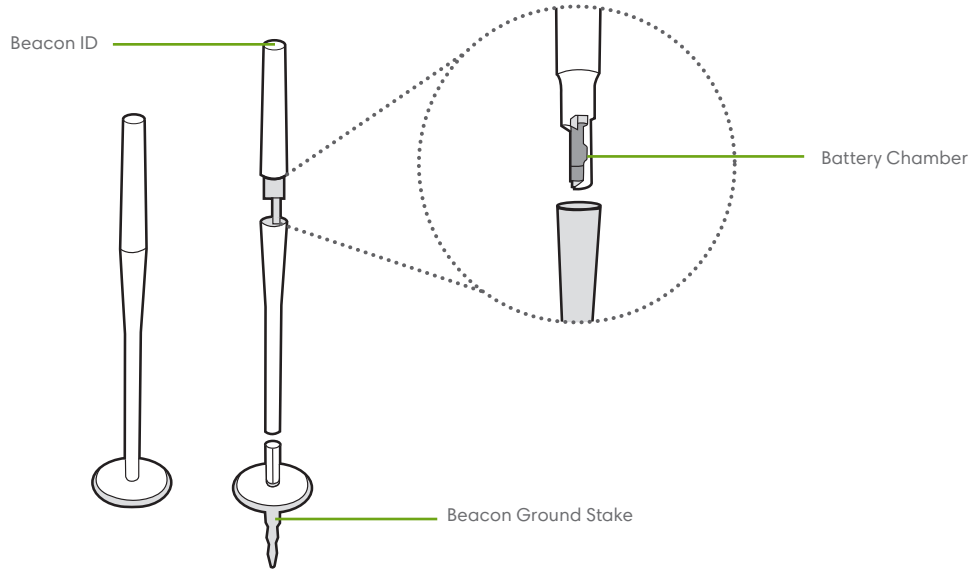
Control Panel



Home Base Charging Station



Beacon



Using your Terra™ t7 Robot Mower

How it works

- Your robot must be installed and trained to your yard perimeter by an iRobot approved professional installer. Do not attempt to install or rearrange the robot, beacons, or charging station by yourself.
- Your robot will mow your lawn on its own once you've either set it to a mowing schedule or manually started it on the mower or iRobot HOME App.
- Your robot uses the beacons to understand its location in your yard, and to plan its path. Ensure that your beacons do not move, or else your robot will not know where it is and then it will not be able to mow.
- Your robot will automatically return back to its charging station when a mowing job is complete.
- The bumper receives a signal to re-navigate when it bumps into larger objects like trees, large rocks, or structures.
- The bumper may not sense smaller objects, so clear your yard of small obstacles like toys, equipment, or gardening supplies before any scheduled or on-demand mowing jobs.

Before you mow

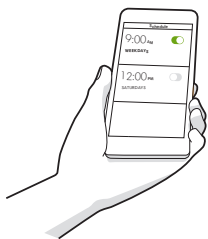
- Keep in mind that the operator or user is responsible for accidents or hazards occurring to other people or their property.
- Your robot is equipped with numerous built-in safety features. However, the robot is a hazardous device with sharp blades, which could cause major injury to anyone who comes in contact with them. Therefore, don't ever use the robot lawn mower when persons are in the cutting area.
- Before operation, always check the work area and remove any branches, rocks, and other objects from the lawn.
- Note that the robot is intended for consumer use only; use must be limited to residential areas.

Mowing

For best performance and maintenance of your lawn, send your robot to mow at least 3 times per week.

To start mowing, first make sure that the Mode Key is in the Auto position. You can start the mowing job in any of the following ways:

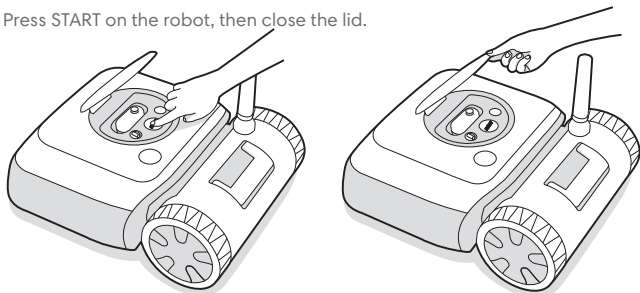
1 A. Set up a mowing schedule in the iRobot HOME App.




B. Press MOW on the iRobot HOME App.



2 Press START on the robot, then close the lid.



Note: A white light ring will spiral around the antenna to let you know when the blades are spinning.

- To stop or pause a mowing job, press STOP on the robot or tap MOW on the iRobot HOME App.
- Mowing jobs can be resumed for up to 90 minutes after pausing, then they will be canceled.
- Resume a mowing job by pressing START on the robot or via the iRobot HOME App.
- Send the robot back to its charging station by pressing  on the robot or via the iRobot HOME App.

Note: If you ever need to pick up your mower, it is recommended that you carry it with two hands, as show in the illustration below.

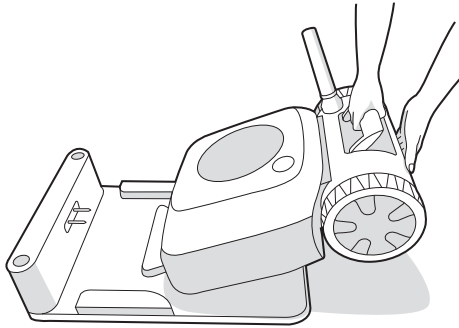


Warning: Always press the STOP button before lifting or carrying the robot.

Warning: Blades are sharp. Use caution whenever touching the robot.

Charging

- Slide your robot onto the charging station contacts to charge the battery.



- The robot light ring will pulse to let you know it's charging.
- The charging status can be viewed on the iRobot HOME App or on the battery icon under the lid on your robot.
- Your robot uses a small amount of power whenever it's on its charging station.
- For long term storage, turn off your robot by turning the Mode Key to the Off position and then removing the robot from its charging station. Store your robot in a cool, dry place.

Tips for Best Performance

- Set up an automatic mowing schedule using the iRobot HOME App. For optimal performance, schedule your mower to run at least 3 times per week.
- Adjust the grass-cut height, child lock, and anti-theft alarm preferences in the iRobot HOME App.
- Keep your charging station plugged in and the area around it clear of obstacles.
- Keep the beacons and charging station in the locations set by the iRobot authorized installer. If you need to change them for some reason, please email TerraSupport@irobot.com.
- For the best possible result, it's recommended to run your robot lawn mower primarily in dry weather. The robot lawn mower is also able to run in rain; however, wet grass will be more likely to stick to the mower, which could create a greater risk of the mower slipping on steep slopes.


Troubleshooting

- Your robot will let you know something is wrong by playing an audio alert and turning its light ring red. Lift the lid or see the iRobot HOME App for details.
- If your robot is inactive off the charging station for over 90 minutes, your mowing job will automatically be canceled.
- Please email TerraSupport@irobot.com for repairs, replacement, breakdowns, or servicing of robot and accessories.
- If you have made changes to your lawn since Terra™ robot mower was installed, email TerraSupport@irobot.com to have a certified iRobot authorized installer retrain your lawn.

Care and Maintenance

To ensure your robot is in top working condition, you should inspect it once a month and clean it as necessary. Once a year, you should change the blades on the robot and change the batteries in the beacons.

For instructions and illustrations on how to clean your robot, safely change its blades, or replace the beacon batteries, please refer to the iRobot HOME App.

 **Warning:** Always remove the key before cleaning the robot or changing the blades.

 **Warning:** Blades are sharp. Use caution whenever touching the robot.

For reference, the part number for the blades is 4656282, the model number for the robot battery is ABL-A, and the beacons and remote control use AA batteries.

iRobot

©2019 iRobot Corporation, 8 Crosby Drive, Bedford, MA 01730 USA. All rights reserved.

iRobot and Terra are registered trademarks of iRobot Corporation. Wi-Fi and the Wi-Fi logo are registered trademarks of the Wi-Fi Alliance.

Customer Care

If you have questions or comments about your Terra™ t7 robot mower or require any customer support, please email TerraSupport@irobot.com.

You can also view support tips and frequently asked questions on your iRobot HOME App.

Regulatory Information

Device	Regulatory Model Number	FCC ID
Terra™ t7	RLA-Y1	UFERLA-Y1 also contains UFEAXD-Y1
Terra™ Home Base	ADA-N1	N/A
Terra™ Confinement Beacon	AXB-Y1	UFEAXB-Y1

This device complies with part 15 of the FCC Rules. Operation is subject to the following two conditions:

- (1) This device **may not** cause harmful interference, and
 - (2) this device must accept any interference received, including interference that may cause undesired operation.
- Changes or modifications not expressly approved by iRobot Corporation could void the user's authority to operate the equipment.
 - This equipment has been tested and found to comply with the limits for a Class B digital device, pursuant to part 15 of the FCC Rules as well as ICES-003 Rules. These limits are designed to provide reasonable protection against harmful interference in a residential installation. This equipment generates, uses and can radiate radio frequency energy and, if not installed and used in accordance with the instructions, may cause harmful interference to radio communications. However, there is no guarantee that interference to radio communication will not occur in a particular installation. If this equipment does cause harmful interference to radio or television reception, which can be determined by turning the equipment off and on, the user is encouraged to try to correct the interference by one or more of the following measures:
 - Reorient or relocate the receiving antenna.
 - Increase the separation between the equipment and receiver.

- Connect the equipment into an outlet on a circuit different from that to which the receiver is connected.
- Consult the dealer or an experienced radio/TV technician for help.

- **FCC Radiation Exposure Statement:** This product complies with FCC §2.1093(b) for portable RF exposure limits, set forth for an uncontrolled environment and is safe for the intended operation as described in this manual. Per FCC requirements, maintain a distance of more than 8 inches (20 cm) between any person and the Terra™ t7 model RLA-Y1 robot. Maintain a distance of 2 inches (5 cm) between any person and the Terra™ Confinement Beacon model AXB-Y1.

Terra is a registered trademark of iRobot Corporation.
(C) 2019 iRobot Corporation, 8 Crosby Dr. Bedford, MA 01730 USA
All rights reserved. U.S. Pat. <http://www.irobot.com/patents> | Other Patents Pending.

Designed in USA, Assembled in China

For residential use only

Instructions for Disposal of Waste Electrical & Electronic Equipment:

This symbol on the product indicates that the appliance must not be disposed of with unsorted common municipal waste. As the end-user, it is your responsibility to dispose of the end-of-life appliance in an environmentally sensitive manner as follows:



- (1) returning it to the distributor/dealer from whom you purchased the product; or
- (2) depositing it in a designated collection point.

Disposing of this product correctly will help save valuable resources and prevent any potential negative effects on human health and the environment, which could otherwise arise from inappropriate waste handling. Please contact your local authority for further details or your nearest designated collection point. Penalties may be applicable for incorrect disposal of this waste, in accordance with your national legislation.

For battery recycling go to call2recycle.org;
or call 1-800-822-8837

