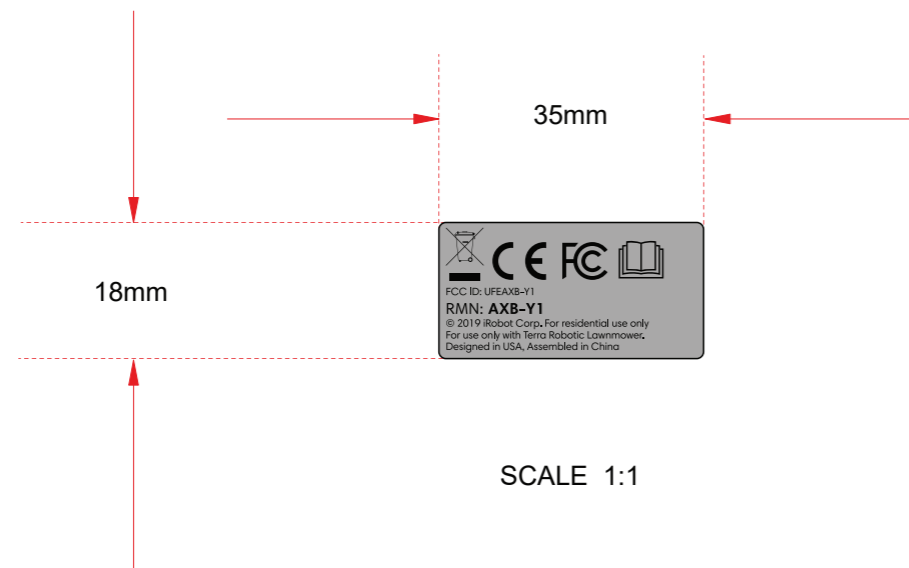


Current Revision

Change Description:	ECN:	Date:
Initial Release	ECN79391	06.26.19



LABEL
COLOR = COOL GREY 8C
FINISH = SATIN

TEXT AND ICONS
FONT = HARMONIA SANS PRO
COLOR = BLACK
FINISH = SATIN
PROCESS = PRINTED

Title: Beacon Compliance Label, Wichita	Number: 4680780	REV: B
Created by: Insun Hong	Date: 06.26.19	
Used on:	iRobot	

4

3

2

1

NOTES:

- 1. NO ITEM IDENTIFICATION NEEDED. PACKAGE ASSY WITH THE PAIRED ROBOT
- 2. FEATURES ADDED TO DISPLAY ORIENTATION OF TEXT ON LABELS RELATIVE TO 4601717. PLEASE REFERENCE RESPECTIVE LABEL ARTWORK FILES.

REVISION HISTORY ONLY ECNs WITH REVISION CHANGE RECORDED			
REV	ECN	DESCRIPTION	DATE
C	79040	LABEL ORIENTATION NOTE ADDED	2019-06-28

1X 4622074

1X 4651057

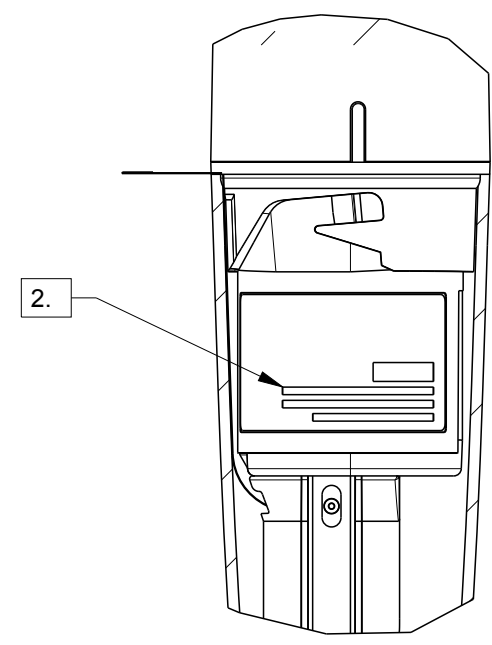
1X 4622073

FCC ID Label
1X 4680780

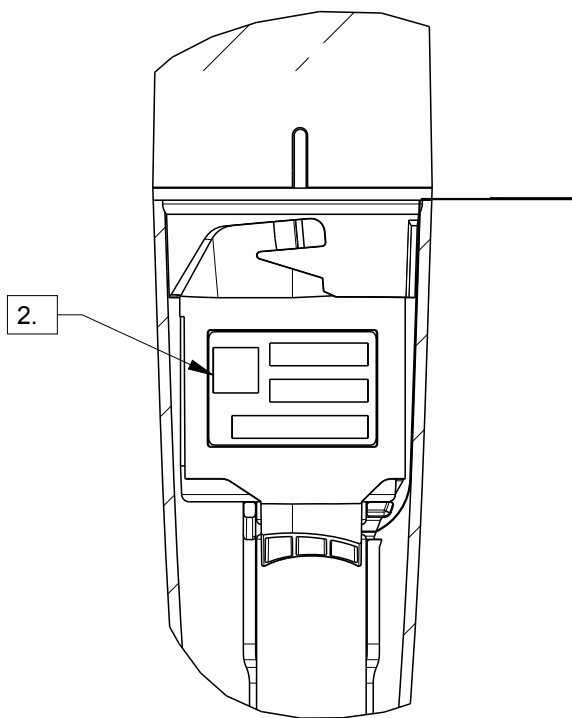
1X 4601717

2.

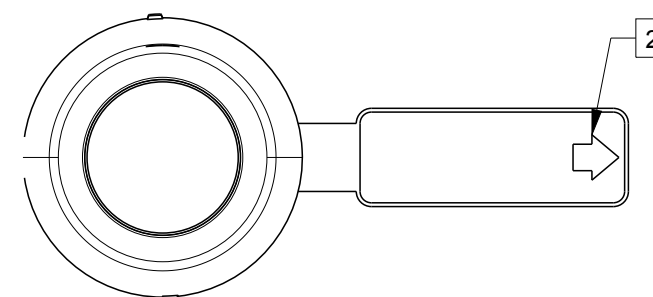
SCALE 1.000



SECTION A-A
SCALE 1.000



SECTION B-B
SCALE 1.000



TOLERANCES FOR UNLESS OTHERWISE SPECIFIED ALL GEOMETRY TOLERANCE VALUES ARE		REFERENCE DOCUMENTS		THIRD ANGLE PROJECTION	DRAWING LEGEND	
DIMENSION (mm)	TOLERANCE (mm)	DIMENSIONING & TOLERANCING	ASME Y14.5-2009		X.XX GENERAL DIM *X.XX CRITICAL DIM (X.XX) PROCESS CONTROL	
0 <= DIM < 25	±	GENERAL QA REQUIREMENTS	4277148		Robot www.irobot.com TITLE ASM, LABELED, BEACON, GENERIC, WICHITA	
25 <= DIM < 50	±	SEE PARTS LIST		SIZE: B CAGE CODE: 066R1 DRAWING NUMBER: 4651004-XX REV: C		
50 <= DIM < 75	±	FINISH: N/A NOTE: ALL DIMENSIONS APPLY AFTER FINISH		PRODUCT OR CONTRACT NUMBER: WICHITA APPROX WEIGHT: 42.4823g APPROX VOLUME: 138094mm ³		
75 <= DIM < 100	±	MATERIAL: N/A		SCALE: 0.350 UNITS: mm LIFE CYCLE STATE: Prototype SHEET 1 OF 1		
100 <= DIM < 125	±	COLOR: N/A		CREO		
125 <= DIM < 150	±	ANGLES: ±				
FOR EACH ADDITIONAL 25mm	ADD ±					

FILENAME: 4651004-XX(ASSEM)
 LIFECYCLE STATE: Prototype
 REVISION: C
 ITERATION: 4
 CAD MODEL: 4651004-XX
 DRAWING: (ROBOT INTERNAL USE ONLY)

4

3

2

1

CREO