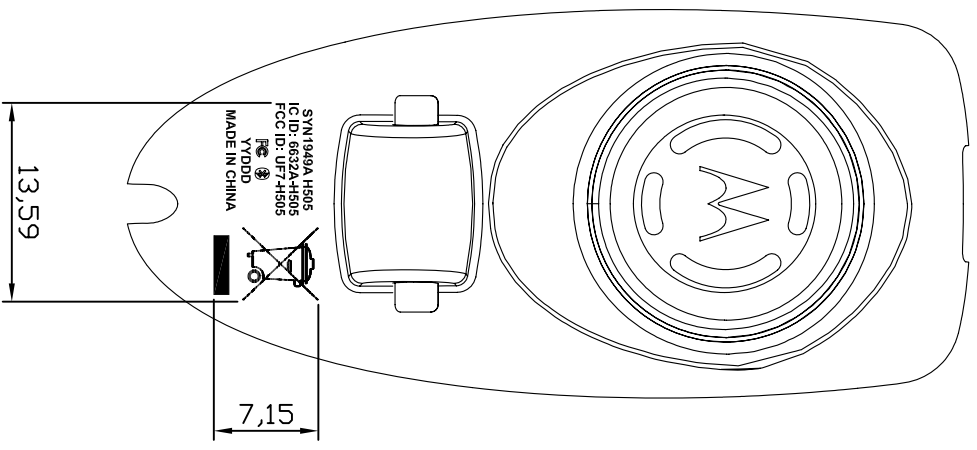


REVISIONS RECORD					
ZONE	DESCRIPTION	REV.	DATE	ECN. NO.	REDACTOR
	TBD				



**GLOSS BLACK**

TEXT:ARIAL 2.5

Item	Qty	Unit	q'ty	Description	Moto P/N	FL P/N	Foxlink MGF
<b>Foxlink</b> CHENG WEI PRECISION INDUSTRY CO.,LTD							
X:	±0.20	X°:	±1.5°	INTENDED USE:	TITLE:		
XX:	±0.10	XX°:	±1.0°	APPD.:	ARTERS LASER LATCH (MOTOR 100)		
MATERIAL:				DWG. NO.:			
SEE NOTES				CHKD.: Rickey An 2006/10/05			
FINISH: SEE NOTES				DR.: Naso Wang 2006/10/05			
				SCALE: 2.000		PAGE: 1/1	
				UNIT: mm		REV.:	