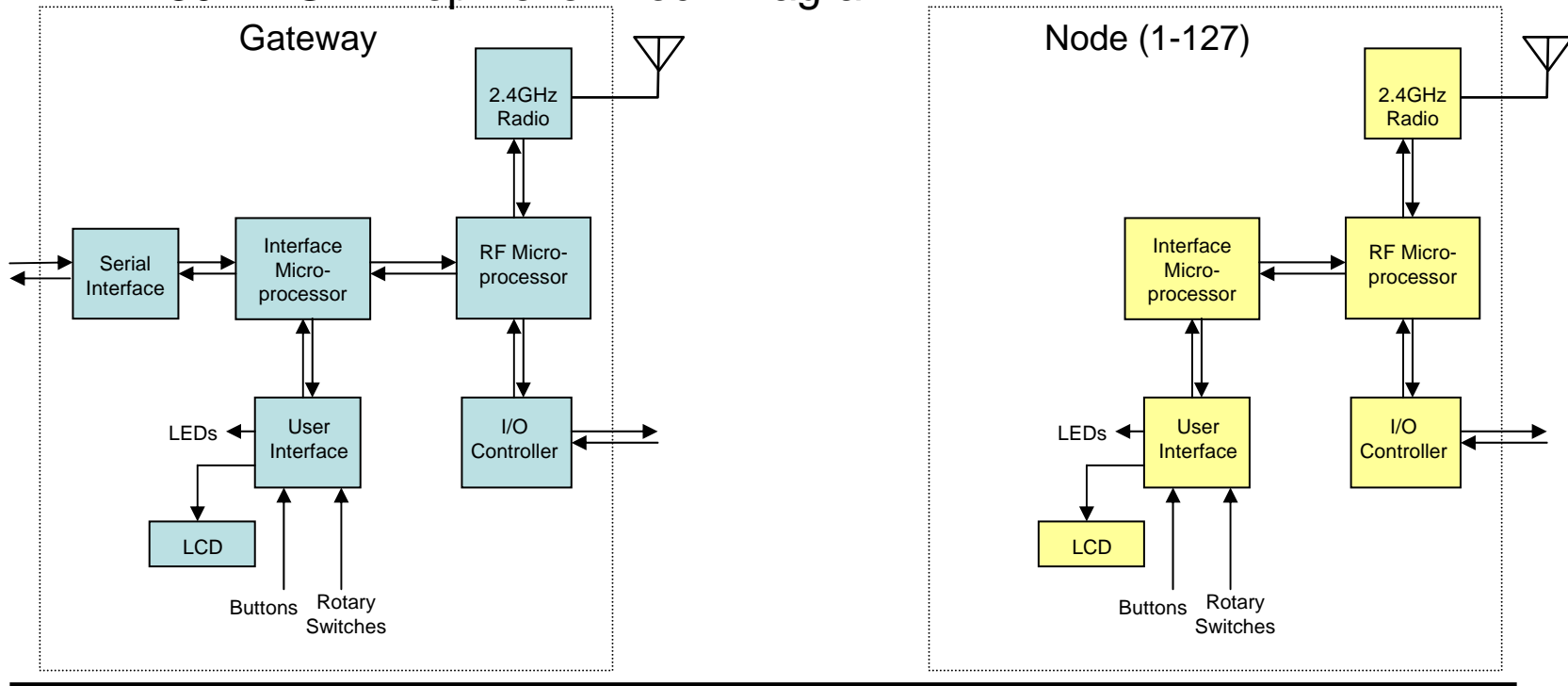


DX80 2.4GHz Top Level Block Diagram



The Nordic Radio uses a fully integrated frequency synthesizer, crystal oscillator and modulator.

