



Meraki Starro Antenna Test Report

Date : Apr. 22, 2020

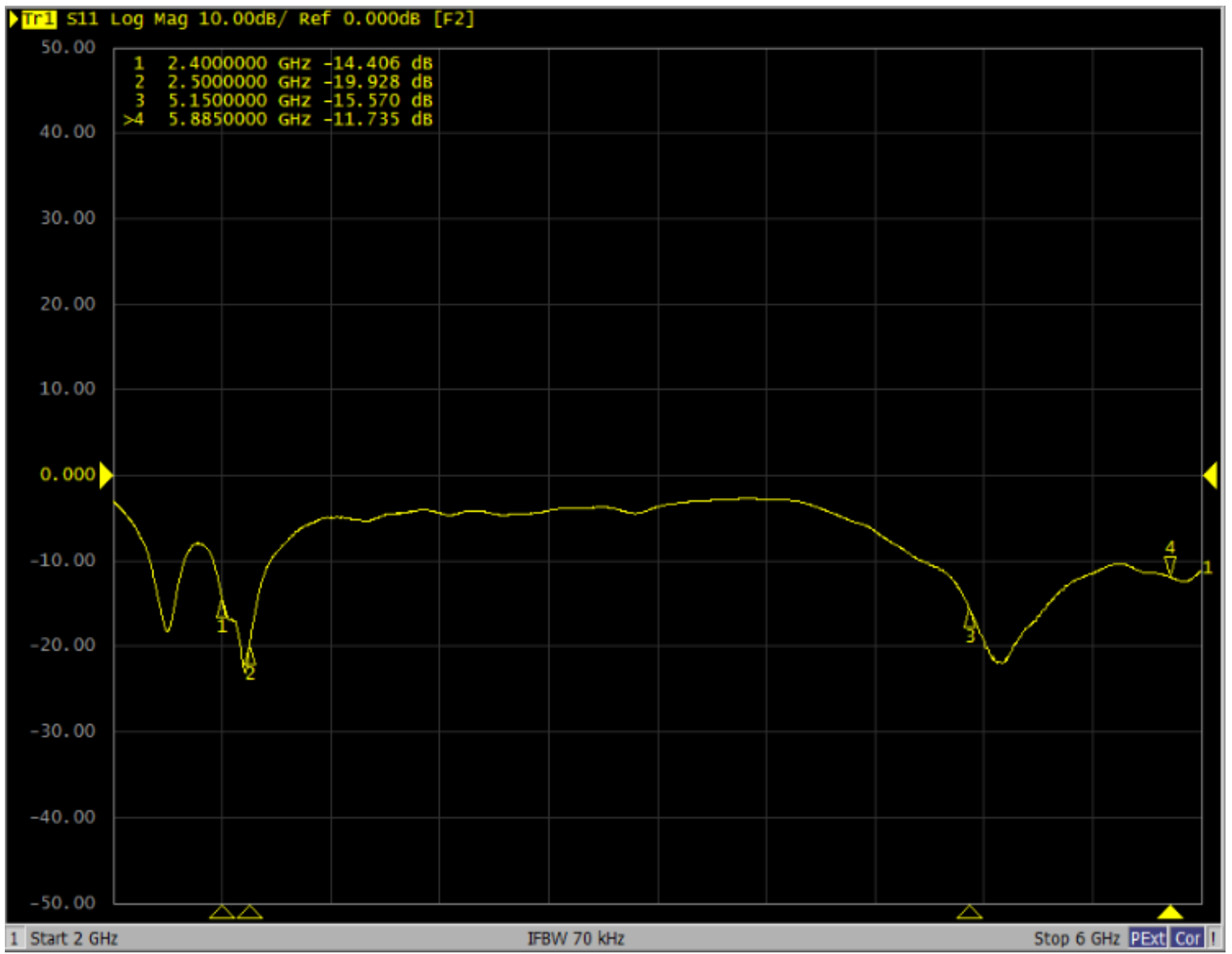
Prepared by : AK Chen



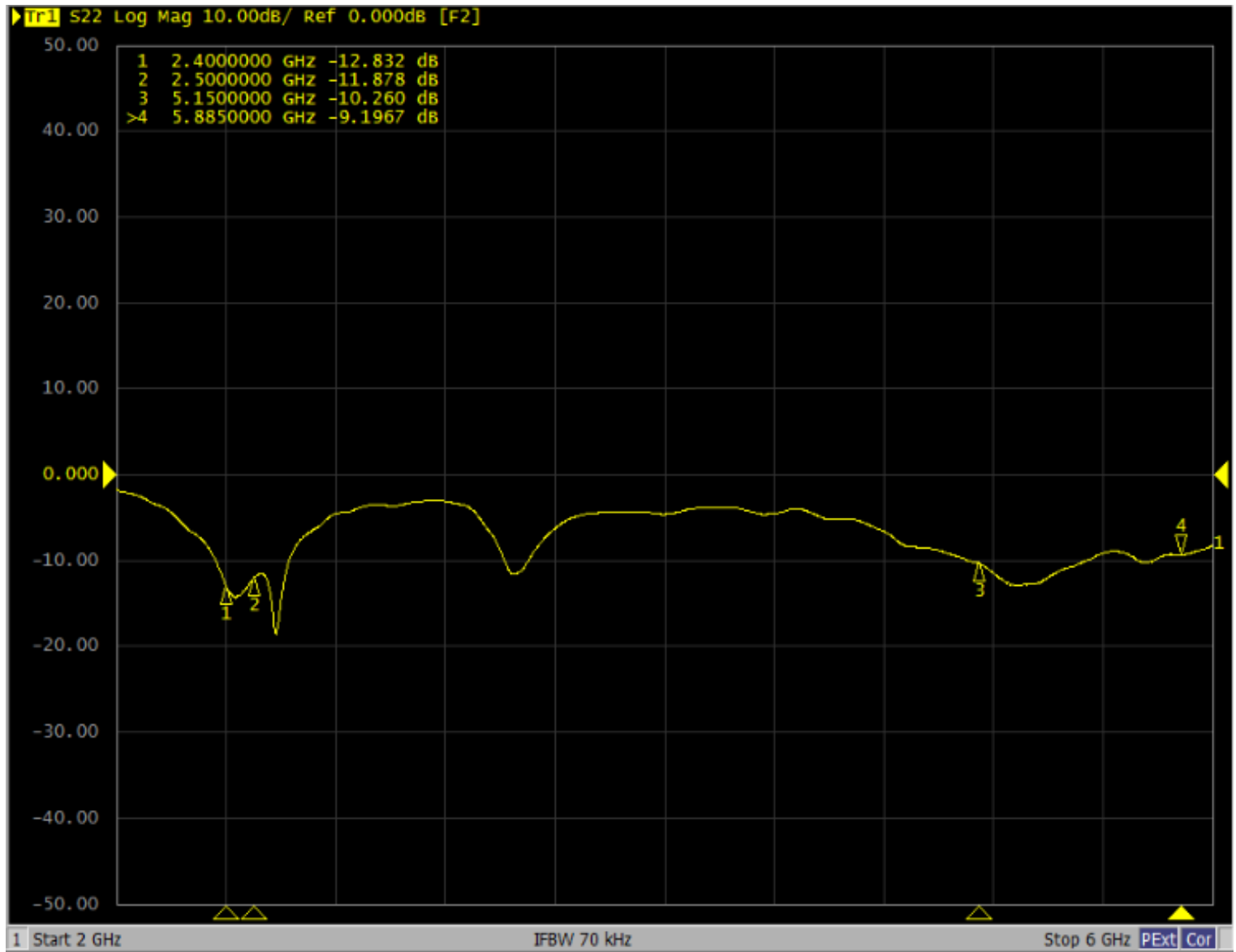
Antenna Structure & Placement

Ant No.	Operating Band	Type	Material	Feeding	Dimension
Ant 1	2400 MHz ~ 2500 MHz 5150 MHz ~ 5850 MHz	PIFA	FPC	Cable	28 x 28 x 0.15 mm ³
Ant 2	2400 MHz ~ 2500 MHz 5150 MHz ~ 5850 MHz	PIFA	FPC	Cable	28 x 19 x 0.15 mm ³

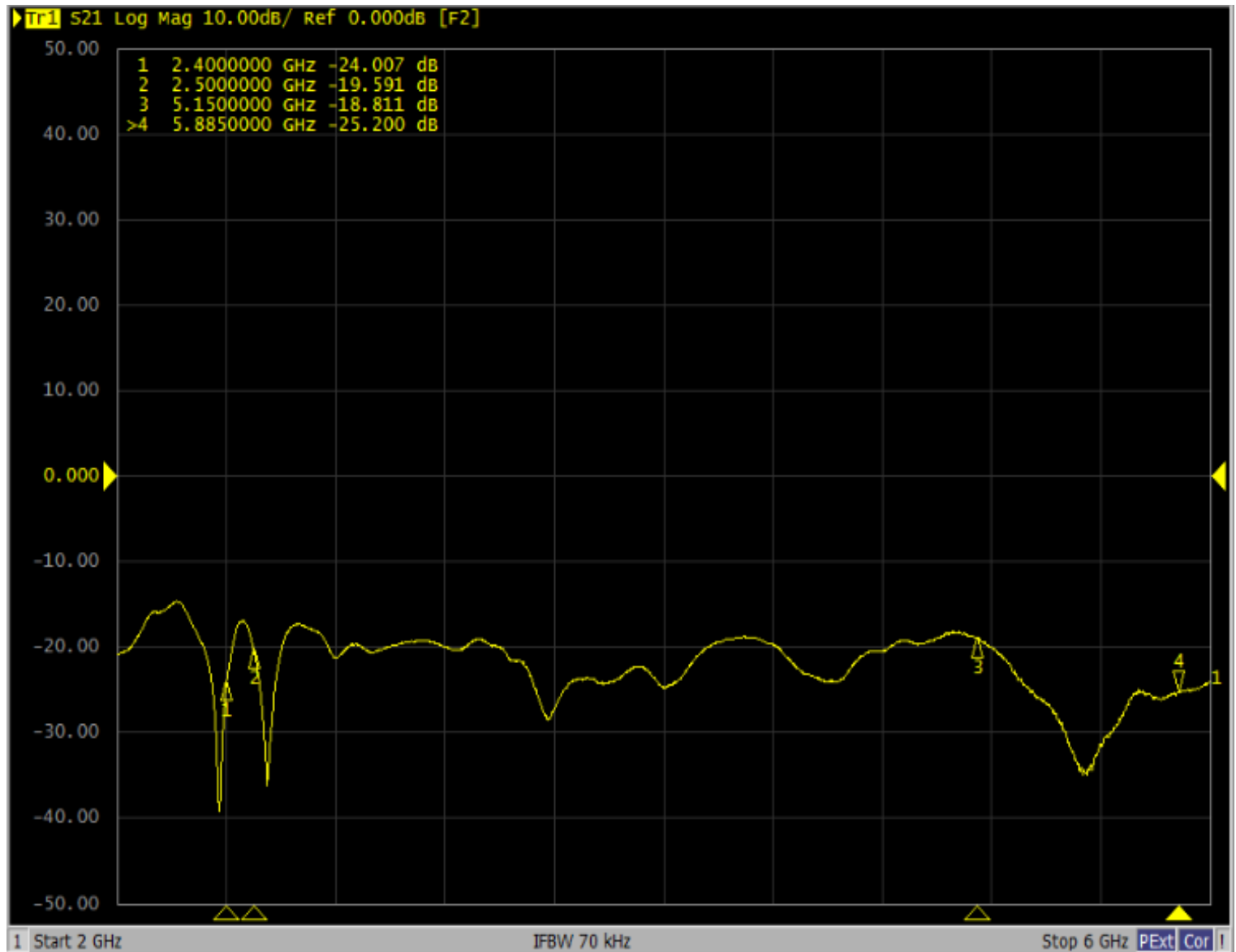
Return Loss_Ant 1



Return Loss_Ant 2

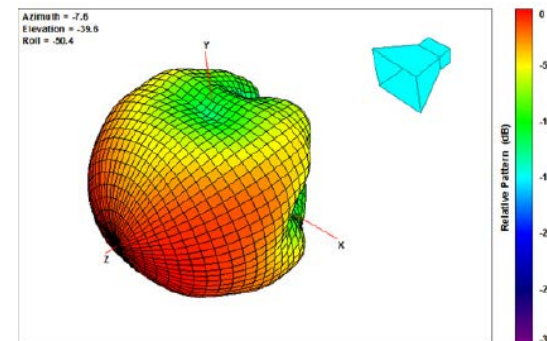
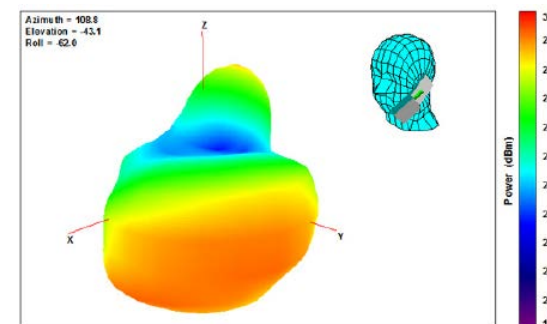
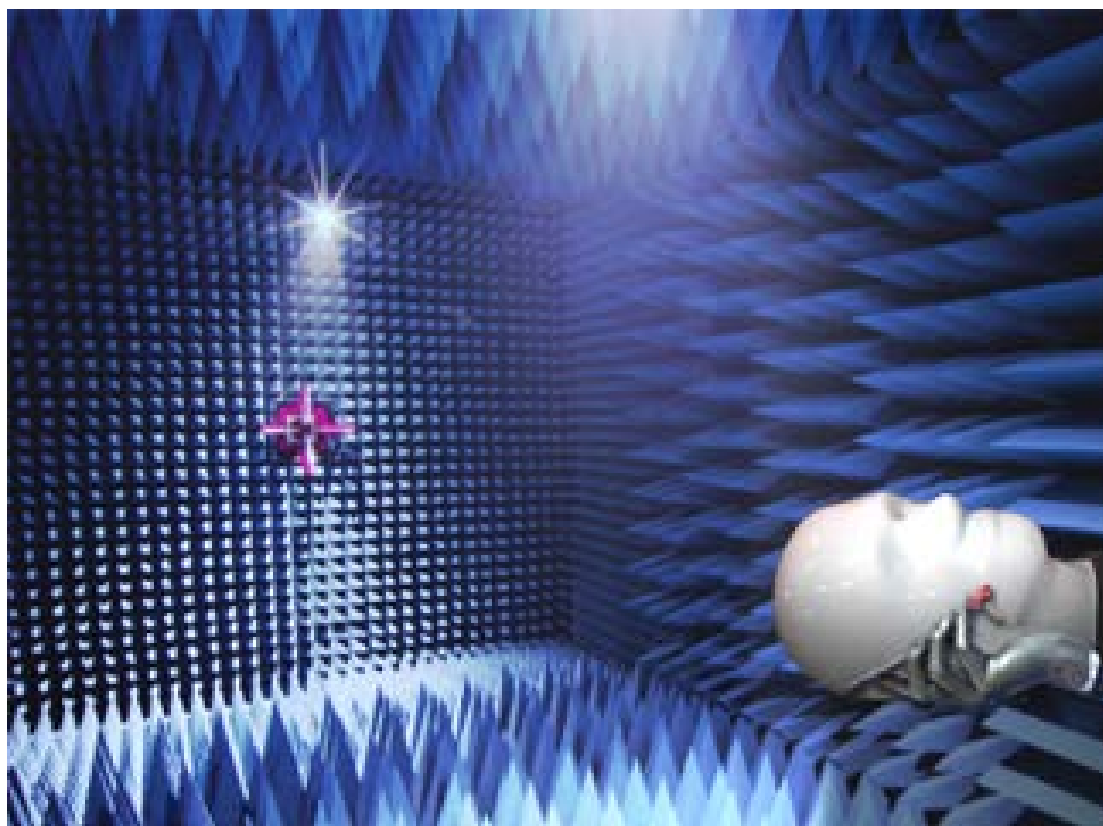


Isolation



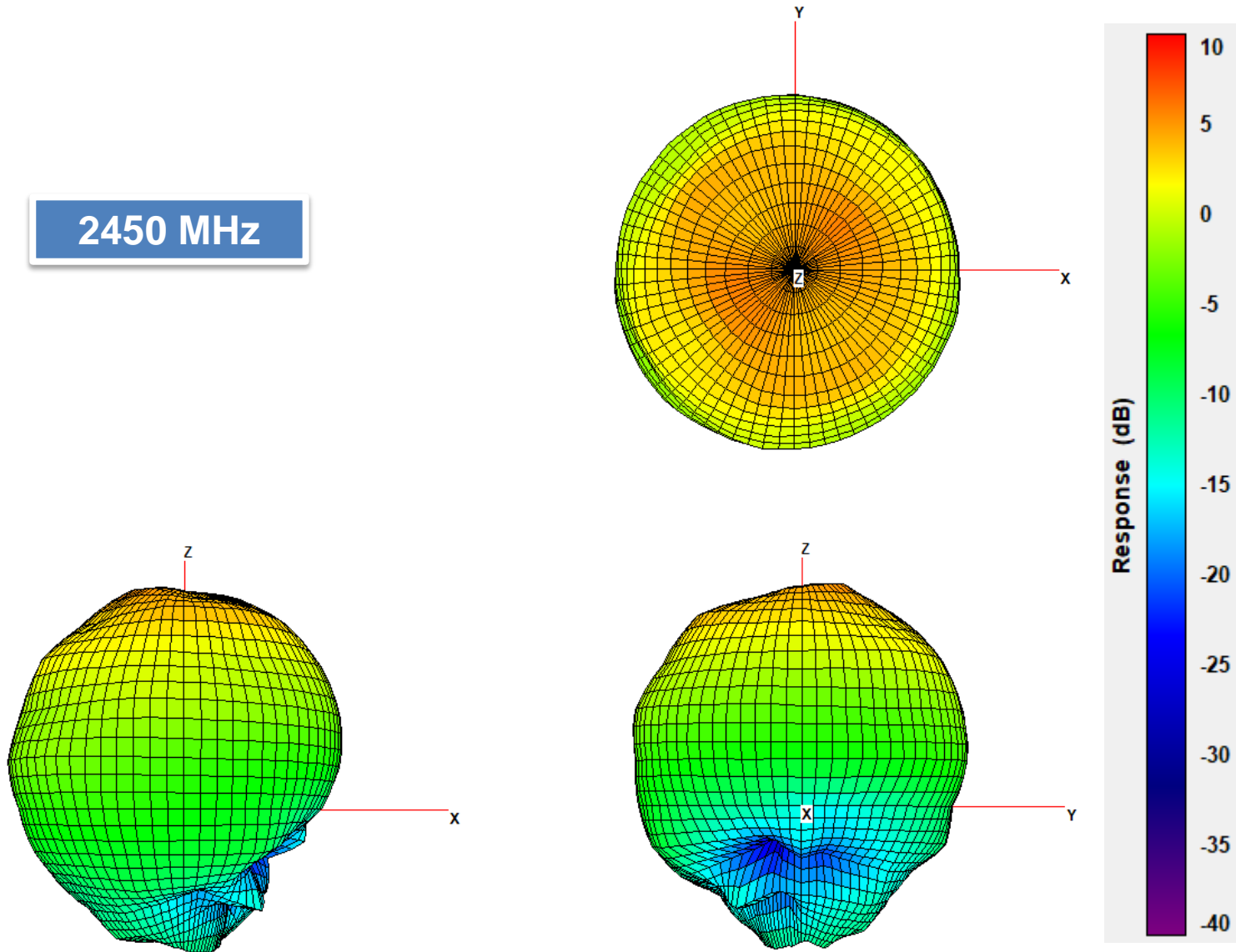
Antenna Measurement Chamber

- ETS AMS-8500 antenna measurement system
- Interior dimensions : 7.32(L)×3.66(W)×3.66(H)m³
- Operating band : 700 MHz – 10 GHz
- Support passive test & active test
- Provide graphic data display



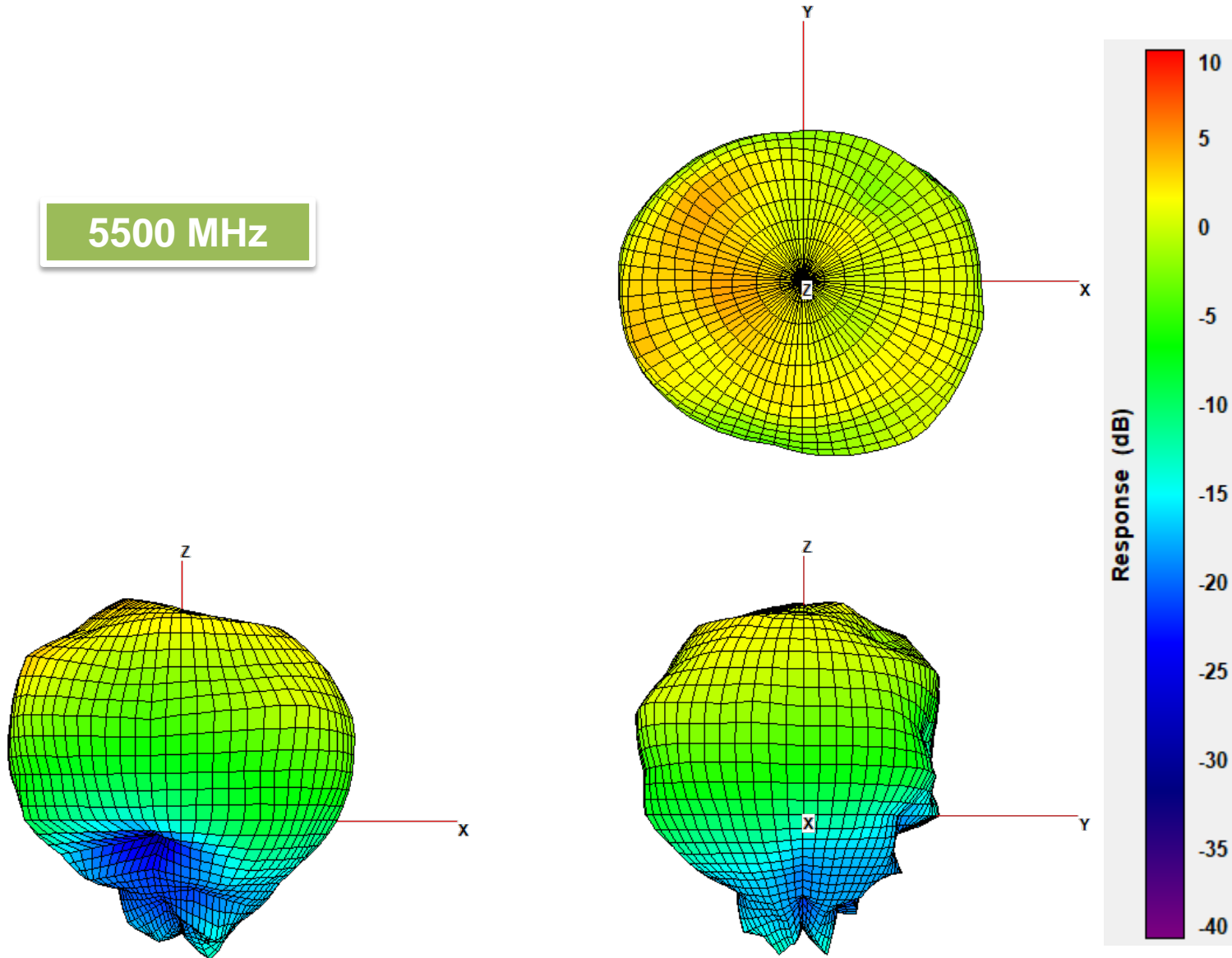
Radiation Pattern – Ant 1

2450 MHz



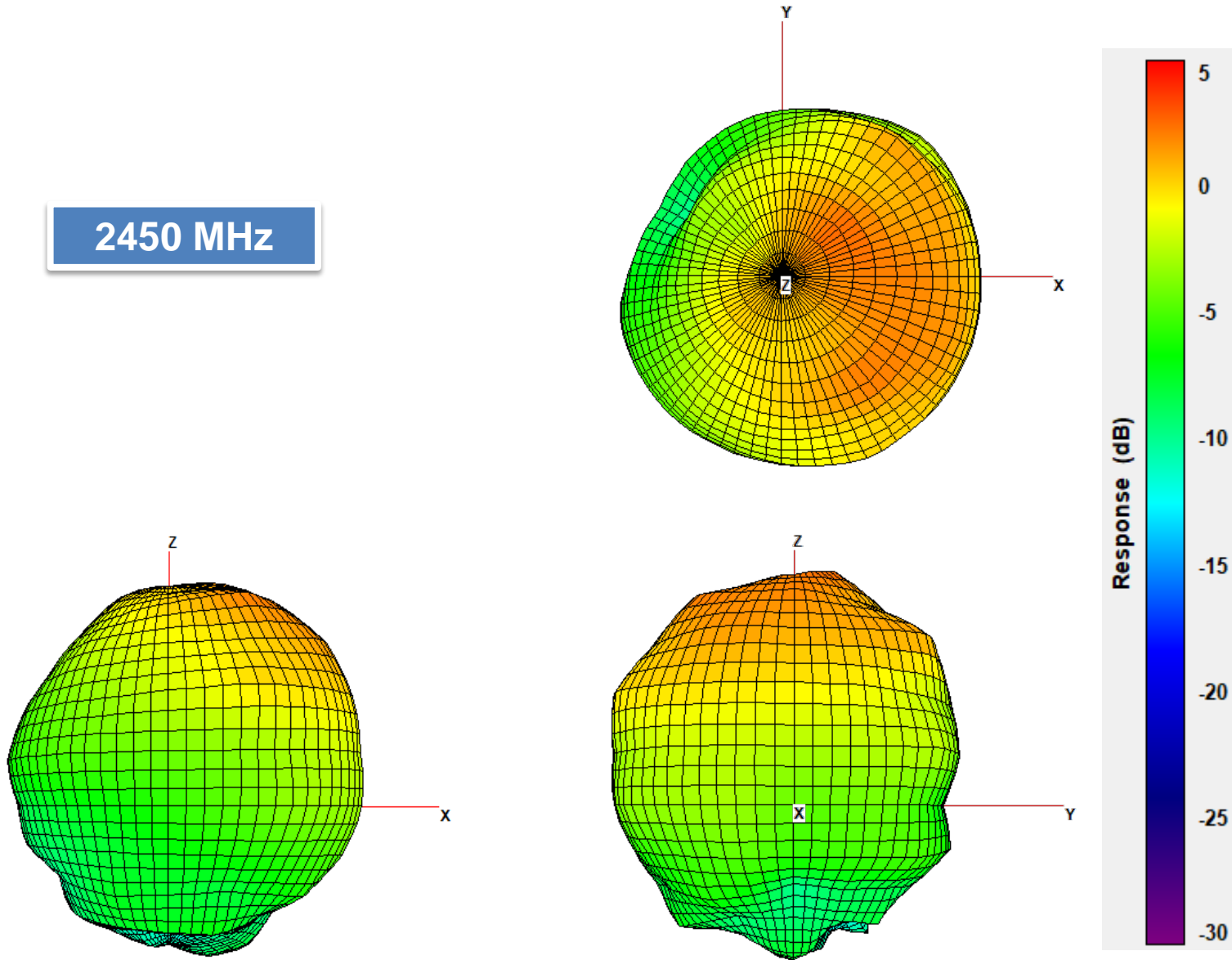
Radiation Pattern – Ant 1

5500 MHz



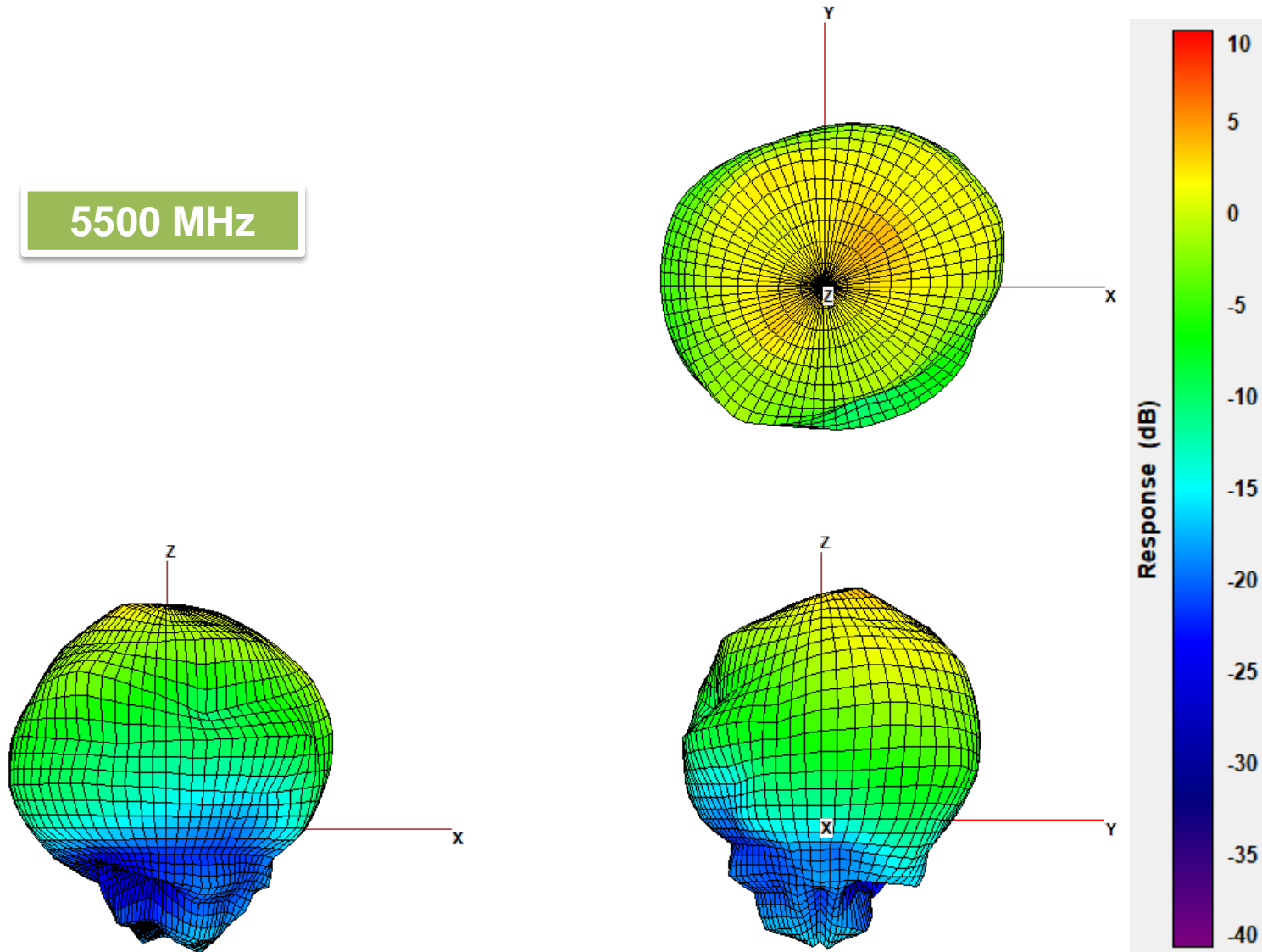
Radiation Pattern – Ant 2

2450 MHz



Radiation Pattern – Ant 2

5500 MHz



Peak Gain & Efficiency

Ant 1		
Freq. (MHz)	Efficiency (%)	Peak Gain (dBi)
2400	41.3	5.99
2450	45.1	6.42
2500	42.9	6.49
5150	44.6	6.34
5500	53.7	6.23
5850	45.0	5.13

Ant 2		
Freq. (MHz)	Efficiency (%)	Peak Gain (dBi)
2400	41.9	2.36
2450	39.7	2.86
2500	39.2	2.44
5150	42.9	5.26
5500	40.8	5.58
5850	40.4	5.05

SERCOMM

www.sercomm.com