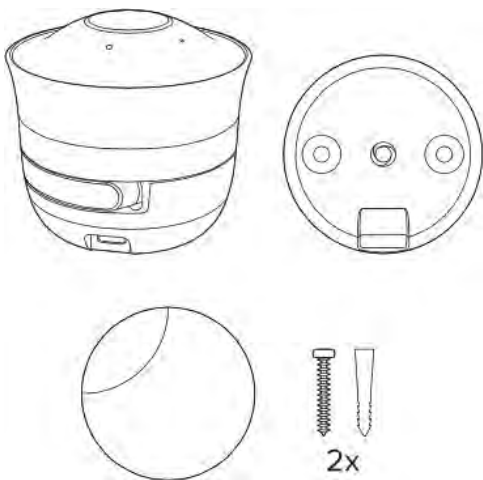

MV2-HW Installation Guide

MV2 Overview

The Cisco Meraki MV2 is an indoor wireless networked camera that is exceptionally simple to deploy and configure due to its integration into the Meraki dashboard and the use of cloud augmented edge storage. The MV family eliminates the complex and costly servers and video recorders required by traditional solutions which removes the limitations typically placed on video surveillance deployments.

Package Contents and Wall Mount Hardware

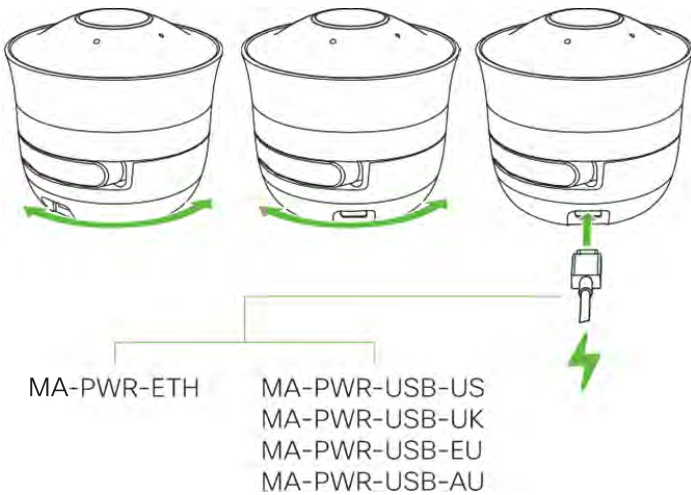
In addition to the MV camera, the following are provided:



MV2 Power Up and Installation Setup

Power Options

The MV2 can be powered using either the MA-PWR-ETH dongle or the MA-PWR-USB-XX power adapter (where XX can be -US, -UK, -EU, or -AU). These are optional accessories and ordered separately.



The MV2 can be setup either as a table-top orientation or via wall mount. Figure (1) Table Top and Figure (2) Wall Mount. Once the camera is setup in the desired orientation, the camera head can be adjusted for a customized viewing angle based upon user's preference.

Figure (1) -Table Top

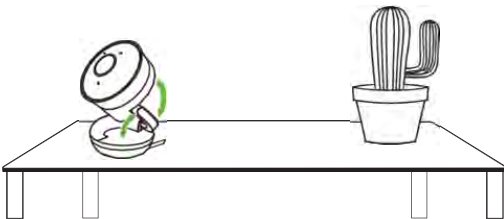


Figure (2) - Wall Mount

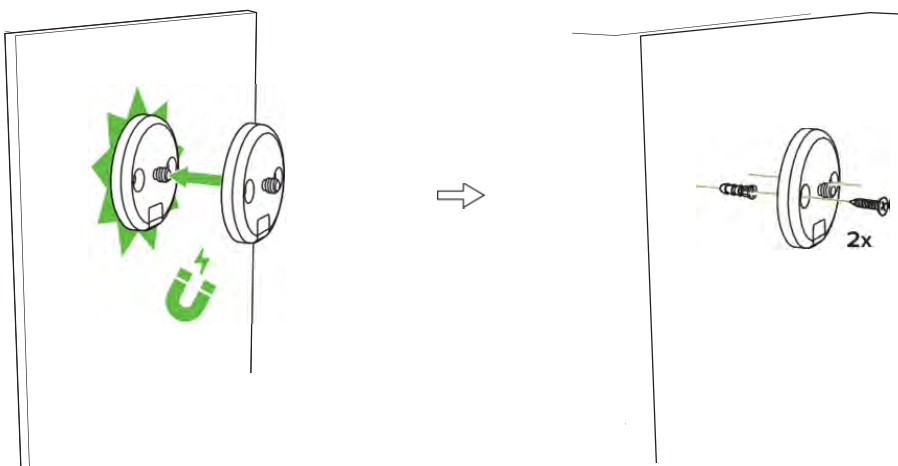
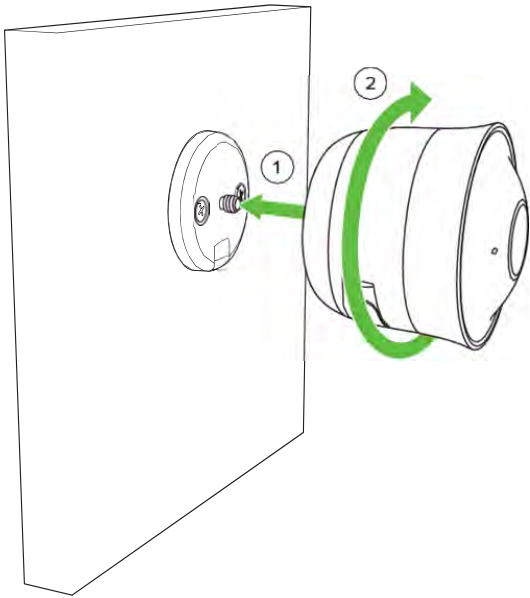
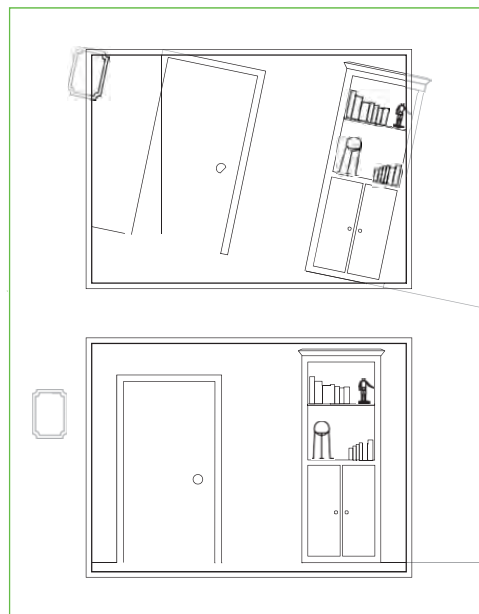
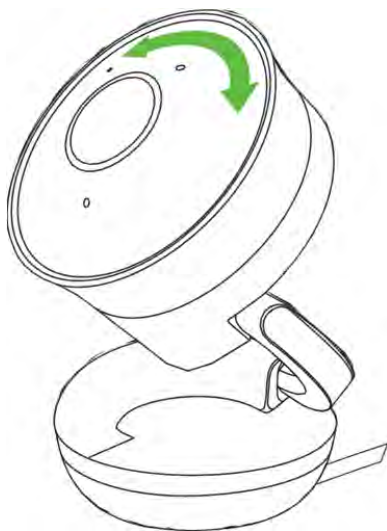


Figure (2) - Wall Mount Continued



Once the MV2 is setup in the desired orientation. The camera lens can be adjusted to the end-user's viewing preference.



Power Options

The MV2 can be powered using either the MA-PWR-ETH dongle or the MA-PWR-USB-XX power adapter (where XX can be -US, -UK, -EU, or -AU). These are optional accessories and ordered separately.

Pre-Install Preparation

You should complete the following steps before installing the MV2 in its final location.

Configure your MV2 in the Networking using Dashboard

You should complete the following steps before installing the MV2 in its final location.

The following is a brief overview only of the steps required to add a MV2 to your network. For detailed instructions about creating, configuring, and managing Meraki Camera networks, refer to the online documentation (<https://documentation.meraki.com/MV>).

1. Login to <http://dashboard.meraki.com>. If this is your first time, create a new account.
2. Find the network to which you plan to add your camera(s) or create a new network.
3. Add your camera(s) to your new network. You will need your Meraki order number (found on your invoice) or the serial number of each camera, which looks like Qxxx-xxxx-xxxx, and is found on the bottom of the unit.
4. Verify that the camera is now listed under **Cameras > Monitor > Cameras**.

Check and Configure Firewall Settings

If a firewall is in place, it must allow outgoing connections to particular ports using given IP addresses. The most current list of outbound ports and IP addresses for your particular organization can be found [here](#).

DNS Configuration

Each MV2 will generate a unique domain name to allow for secured direct streaming functionality. These domain names resolve an A record for the private IP address of the camera. Any public recursive DNS server will resolve this domain.

If utilizing an onsite DNS server, please whitelist *.devices.meraki.direct or configure a conditional forwarder so that the local domains are not appended to *.devices.meraki.direct and that these domain requests are forwarded to Google public DNS.

Assigning IP Addresses

At this time, the MV2 does not support static IP assignment. MV2 units must be added to a subnet that uses DHCP and has available DHCP addresses to operate correctly.

Installation Instructions

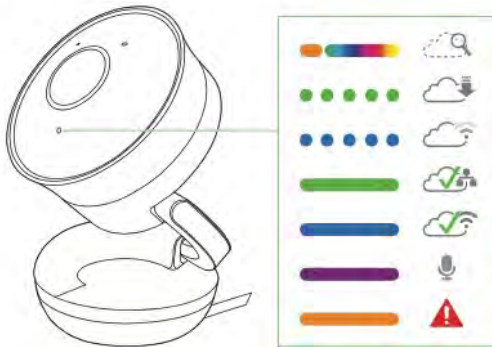
Note: Each MV2 comes with an instruction insert within the box. This insert contains detailed step-by-step guides and images to assist in the physical installation of the camera. A pdf can be found [here](#).
(Note—this is a draft hyperlink not active yet.)

Note: During first time setup, the MV2 will automatically update to the latest stable firmware. Some features may be unavailable until this automatic update is completed. This process may take up to 10 minutes due to enabling of whole disk encryption.

Wall Mounting Instructions

For most mounting scenarios, the MV2 wall mount provides a quick, simple, and flexible means of mounting your device. The installation should be done in a few simple steps—

6



docs.meraki.com/mv

Regulatory Statements

EU Radiation Exposure Statement

Installing or mounting of this device shall be done as such that a minimum separation distance (distance between a person and the device, or the device's antennas) of 20 cm is always ensured.

FCC Compliance Statement

This device complies with part 15 of the FCC rules. Operation is subject to the following two conditions: (1) This device may not cause harmful interference, and (2) this device must accept any interference received, including interference that may cause undesired operation.

FCC Interference Statement

This equipment has been tested and found to comply with the limits for a Class B digital device, pursuant to part 15 of the FCC Rules. These limits are designed to provide reasonable protection against harmful interference in a residential installation. This equipment generates, uses and can radiate radio frequency energy and, if not installed and used in accordance with the instructions, may cause harmful interference to radio communications. However, there is no guarantee that interference will not occur in a particular installation. If this equipment does cause harmful interference to radio or television reception, which can be determined by turning the equipment off and on, the user is encouraged to correct the interference by one of the following measures:

- Reorient or relocate the receiving antenna.
- Increase the separation between the equipment and receiver.
- Connect the equipment into an outlet on a circuit different from which the receiver is connected.
- Consult the dealer or an experienced radio/TV technician for help.

FCC Caution

Any changes or modifications not expressly approved by Cisco Systems, Inc. could void the user's authority to operate this equipment. This Transmitter must not be co-located or operation in conjunction with any other antenna or transmitter.

FCC Radiation Exposure Statement

This equipment complies with FCC radiation exposure limits set forth for an uncontrolled environment. This equipment should be installed and operated with minimum distance 20 cm between the radiator and your body. This transmitter must not be co-located or operating in conjunction with any other antenna or transmitter.

IEEE 802.11b or 802.11g operation of this product in the USA is firmware-limited to channels 1 through 11.

Industry Canada Statement

This device contains licence-exempt transmitter(s)/receiver(s) that comply with Innovation, Science and Economic Development Canada's licence-exempt RSS(s). Operation is subject to the following two conditions:

1. This device may not cause interference.
2. This device must accept any interference, including interference that may cause undesired operation of the device.

L'émetteur/récepteur exempt de licence contenu dans le présent appareil est conforme aux CNR d'Innovation, Sciences et Développement économique Canada applicables aux appareils radio exempts de licence. L'exploitation est autorisée aux deux conditions suivantes :

1. L'appareil ne doit pas produire de brouillage;
2. L'appareil doit accepter tout brouillage radioélectrique subi, même si le brouillage est susceptible d'en compromettre le fonctionnement.

For product available in the USA/Canada market, only channel 1~11 can be operated. Selection of other channels is not possible.

Pour les produits disponibles aux États-Unis / Canada du marché, seul le canal 1 à 11 peuvent être exploités. Sélection d'autres canaux n'est pas possible.

This device and its antenna(s) must not be co-located or operating in conjunction with any other antenna or transmitter except in accordance with IC multi-transmitter product procedures.

Cet appareil et son antenne (s) ne doit pas être co-localisés ou fonctionnement en association avec une autre antenne ou transmetteur.

Dynamic Frequency Selection (DFS) for devices operating in the bands 5250- 5350 MHz, 5470-5600 MHz and 5650-5725 MHz.

Sélection dynamique de fréquences (DFS) pour les dispositifs fonctionnant dans les bandes 5250-5350 MHz, 5470-5600 MHz et 5650-5725 MHz.

Industry Canada Caution

(i) the device for operation in the band 5150-5250 MHz is only for indoor use to reduce the potential for harmful interference to co-channel mobile satellite systems;

Avertissement:

(i) les dispositifs fonctionnant dans la bande 5 150-5 250 MHz sont réservés uniquement pour une utilisation à l'intérieur afin de réduire les risques de brouillage préjudiciable aux systèmes de satellites mobiles utilisant les mêmes canaux;

Industry Canada Radiation Exposure Statement

This equipment complies with IC radiation exposure limits set forth for an uncontrolled environment. This equipment should be installed and operated with minimum distance 20 cm between the radiator & your body.

D_é_c_l_a_r_a_t_i_o_n_d'_e_x_p_o_s_i_t_i_o_n_a_u_x_r_a_d_i_a_t_i_o_n_s:

Cet équipement est conforme aux limites d'exposition aux rayonnements IC établies pour un environnement non contrôlé. Cet équipement doit être installé et utilisé avec un minimum de 20 cm de distance entre la source de rayonnement et votre corps.

Taiwan Wireless Statements

取得審驗證明之低功率射頻器材，非經核准，公司、商號或使用者均不得擅自變更頻率、加大功率或變更原設計之特性及功能。低功率射頻器材之使用不得影響飛航安全及干擾合法通信；經發現有干擾現象時，應立即停用，並改善至無干擾時方得繼續使用。前述合法通信，指依電信管理法規定作業之無線電通信。低功率射頻器材須忍受合法通信或工業、科學及醫療用電波輻射性電機設備之干擾。

應避免影響附近雷達系統之操作。

Statement CS-0438 - 台灣 RoHS

台灣RoHS“限用物質含有情況標示聲明書”網址 www.cisco.com/go/taiwanrohs

Statement CS-0438 - Taiwan RoHS

Taiwan RoHS “Restricted Substances Content Disclosure Table” web address
www.cisco.com/go/taiwanrohs