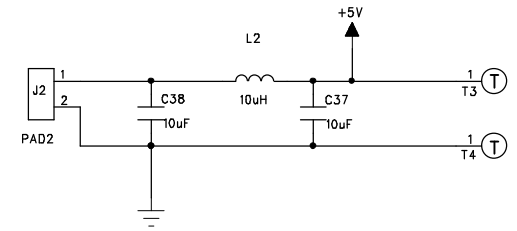
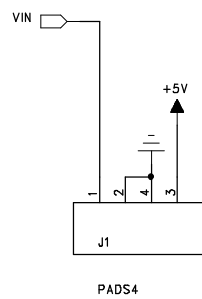
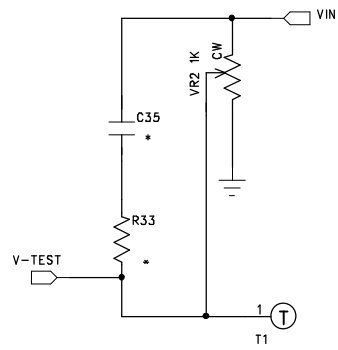


V-OUT



TITLE		SCHEMATIC DIAGRAM	
MODEL NO.:GP844T		DRAWN: LEON	
CAD REF: GP844C.SCH		CHKD:	
PAGE 1 OF 1		APPD:	

1.1	Modify Audio Circuit	06/03/01
1.0	THE FIRST RELEASE	DEC 1 14
REVISION	UPDATE DESCRIPTION	ISSUE DATE