

Model No.: F462AQD-E
Power Requirement: DC 12V/1.5A
Wireless Frequency: 2.4 GHz:5GHz
FCC ID: UCZ-F462AQ-Z
IC: 8575A-F462AQZ
LOREX TECHNOLOGY INC.
www.lorex.com

FCC CE
LOREX
Made in XXXXX

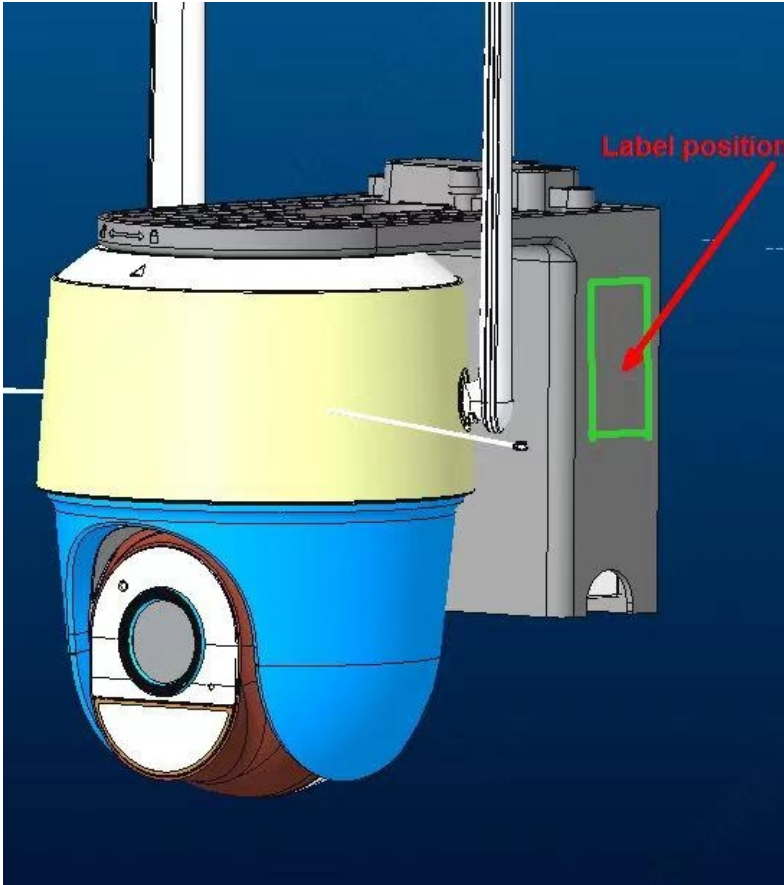
ADD MAC ID

WIFI MAC: XXXXXXXXXXXXXXXX

ADD SERIAL NUMBER BAR CODE

S/N: XXXXXXXXXXXXXXXX

Remark:It's hard to put FCC statement on the product due to device's irregular appearance. FCC statement will be placed in the user manual which the device is marketed.



Model No.: F462AQD-F
Power Requirement: DC 12V/1.5A
Wireless Frequency: 2.4 GHz:5GHz
FCC ID: UCZ-F462AQ-Z
IC: 8575A-F462AQZ
LOREX TECHNOLOGY INC.
www.lorex.com

FC CE
LOREX
Made in XXXXX

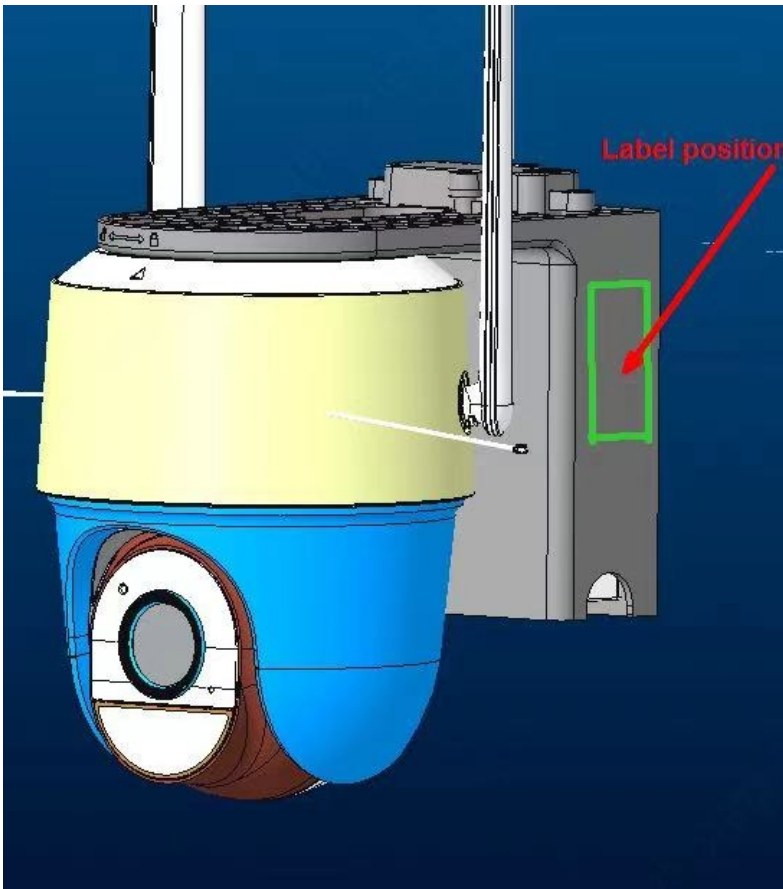
ADD MAC ID

WIFI MAC: XXXXXXXXXXXXX

ADD SERIAL NUMBER BAR CODE

S/N: XXXXXXXXXXXXXXXXXXXX

Remark: It's hard to put FCC statement on the product due to device's irregular appearance. FCC statement will be placed in the user manual which the device is marketed.



Model No.: F462AQ-Z	FC CE
Power Requirement: DC 12V/1.5A	LOREX
Wireless Frequency: 2.4 GHz:5GHz	
FCC ID: UCZ-F462AQ-Z	Made in XXXXX
IC: 8575A-F462AQZ	
LOREX TECHNOLOGY INC.	
www.lorex.com	
ADD MAC ID	
WIFI MAC: XXXXXXXXXXXXXXXX	
ADD SERIAL NUMBER BAR CODE	
S/N: XXXXXXXXXXXXXXXX	

Remark:It's hard to put FCC statement on the product due to device's irregular appearance. FCC statement will be placed in the user manual which the device is marketed.