

LOREX[®]

Motion Sensor

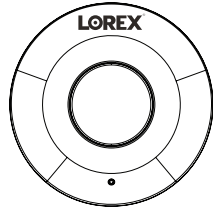


AM41TK-Z

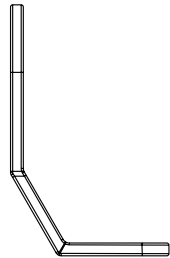
Quick Start Guide

lorex.com

Package Contents



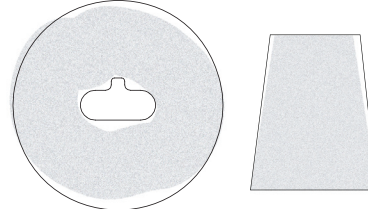
PIR Sensor



Bracket (optional)



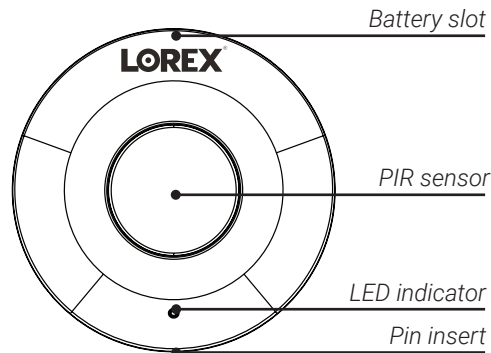
Pin*



Mounting Adhesive

*May include one or more, depending on the package purchased.
To purchase additional sensors, visit lorex.com and/or authorized resellers.

Overview



Specifications

- Environment: Indoor
- Maximum detection distance: 26 feet
- Maximum detection angle: 110°
- Operating temperature: 14°F~113°F
- Operating humidity: 0-95%RH
- Battery: CR2450
- Protocol: Bluetooth 5.0

LED Behavior

See the table below for definitions of the sensor's LED behaviors:

Behavior	Meaning
● (solid for 2 seconds)	Powered on.
● (flashing rapidly)	Ready to pair.
● (solid for 2 seconds)	Pairing successful.
● (flashing 3 times)	Pairing failed. Try repeating the setup.
● (flashing rapidly)	Alarm has been triggered.
● (flashing)	Firmware upgrade in progress.



WARNING:

CHOKING HAZARD
KEEP OUT OF REACH OF CHILDREN

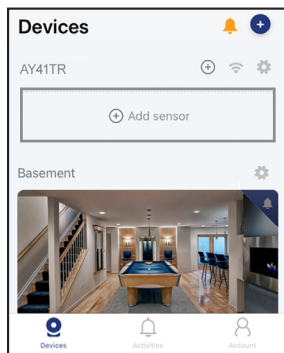
Lorex products come with a standard 1-year warranty. For more information about Lorex's warranty policy, visit lorex.com/warranty.

STEP 1: Pairing to Your Device

To connect the sensor to your device:

1. Tap the Lorex Home icon to launch the app.
2. In the **Devices** tab, press **+ Add sensor** to set up the sensor.

Tap the **+** icon on the top right of the screen to add more sensors.



NOTE: the screen to the left is taken from the Sensor Hub.

3. Follow the on screen prompts to complete the rest of the setup. The Lorex Home app will walk you through the process, step by step.



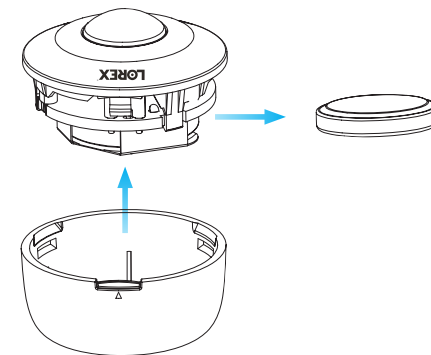
Changing the Battery

To change the sensor's battery:

1. Make sure your system is disarmed.
2. Use the wide part of the pin to open the sensor from the battery slot.
3. Slide the old battery out and replace it with the new one.

NOTE: This sensor uses a CR2450 battery.

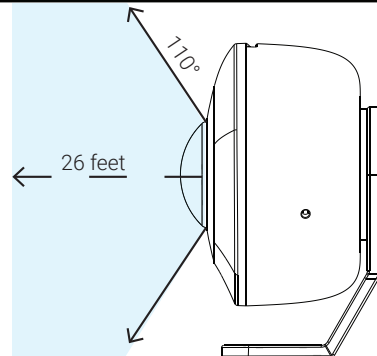
4. Snap the sensor closed with the battery slot meeting the Lorex logo at the top.



STEP 2: Installing the Motion Sensor

Location tips:

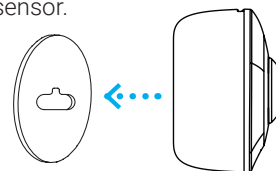
- The motion sensor can be installed indoors on a wall, ceiling or table, with or without the included bracket.
- The motion sensor works best when it's placed 6 to 8 feet high, to keep safe from being bumped and out of reach from children and pets.
- If you want to detect smaller objects, use one of the angled sides of the bracket. Keep in mind the range and width of the sensor.



Option A

1. Pick a flat surface area to stick the sensor.
2. Test the sensor's connectivity.
3. Peel the circular mounting adhesive and stick to the back of the sensor. Then stick the other side to the desired area.

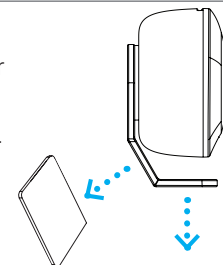
NOTE: The sensor can be mounted on any flat surface using the adhesive. If you prefer to have the sensor on a table or placed in a 45° angle, see Option B for the bracket.



Option B - Bracket

NOTE: The bracket offers 2 separate angles for the sensor to face.

1. Pick a flat surface area to stick the sensor.
2. Test the sensor's connectivity.
3. Peel the circular adhesive and stick to the back of the sensor. Then stick the other side to the bracket.
4. Peel the other adhesive and stick to the desired bracket angle. Then stick the other side to the chosen flat surface area.



Regulatory Information

IC Statement

This device complies with Industry Canada licence-exempt RSS standard(s).

Operation is subject to the following two conditions:

1. This device may not cause interference, and
2. This device must accept any interference, including interference that may cause undesired operation of the device.

Le présent appareil est conforme aux CNR d'Industrie Canada applicables aux appareils radioexempts de licence. L'exploitation est autorisée aux deux conditions suivantes :

1. L'appareil ne doit pas produire de brouillage, et
2. L'utilisateur de l'appareil doit accepter tout brouillage radioélectrique subi, même si le brouillage est susceptible d'en compromettre le fonctionnement.

This equipment should be installed and operated with a minimum distance 20cm between the radiator and your body.

Cet équipement doit être installé et utilisé à une distance minimale de 20 cm entre le radiateur et votre corps.

Under Industry Canada regulations, this radio transmitter may only operate using an antenna of a type and maximum (or lesser) gain approved for the transmitter by Industry Canada. To reduce potential radio interference to other users, the antenna type and its gain should be so chosen that the equivalent isotropically radiated power (e.i.r.p.) is not more than that necessary for successful communication.

Conformément à la réglementation d'Industrie Canada, le présent émetteur radio peut fonctionner avec une antenne d'un type et d'un gain maximal (ou inférieur) approuvé pour l'émetteur par Industrie Canada. Dans le but de réduire les risques de brouillage radioélectrique à l'intention des autres utilisateurs, il faut choisir le type d'antenne et son gain de sorte que la puissance isotrope rayonnée équivalente (p.i.r.e.) ne dépasse pas l'intensité nécessaire à l'établissement d'une communication satisfaisante.

FCC Statement

Please take attention that changes or modification not expressly approved by the party responsible for compliance could void the user's authority to operate the equipment.

This device complies with Part 15 of the FCC Rules. Operation is subject to the following two conditions:

1. This device may not cause harmful interference, and
2. This device must accept any interference received, including interference that may cause undesired operation.

Caution: The user that changes or modifications not expressly approved by the party responsible for compliance could void the user's authority to operate the equipment.

This equipment has been tested and found to comply with the limits for a Class B digital device, pursuant to Part 15 of the FCC Rules. These limits are designed to provide reasonable protection against harmful interference in a residential installation. This equipment generates, uses and can radiate radio frequency energy and, if not installed and used in accordance with the instructions, may cause harmful interference to radio communications. However, there is no guarantee that interference will not occur in a particular installation. If this equipment does cause harmful interference to radio or television reception, which can be determined by turning the equipment off and on, the user is encouraged to try to correct the interference by one or more of the following measures:

- Reorient or relocate the receiving antenna.
- Increase the separation between the equipment and receiver.
- Connect the equipment into an outlet on a circuit different from that to which the receiver is connected.
- Consult the dealer or an experienced radio/TV technician for help.

RF exposure warning

This equipment must be installed and operated in accordance with provided instructions and antenna(s) used for this transmitter must be installed to provide a separation distance of at least 20cm from all persons and must not be co-located or operating in conjunction with any other antenna or transmitter. End-users and installers must be provided with antenna installation instructions and transmitter operating conditions for satisfying RF exposure compliance.

The equipment should be installed and operated with a minimum distance 20cm between the radiator and your body.

For full FCC compliance declarations, visit

<https://www.lorextechnology.com/FCC-compliance>