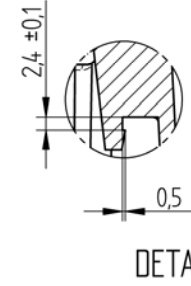
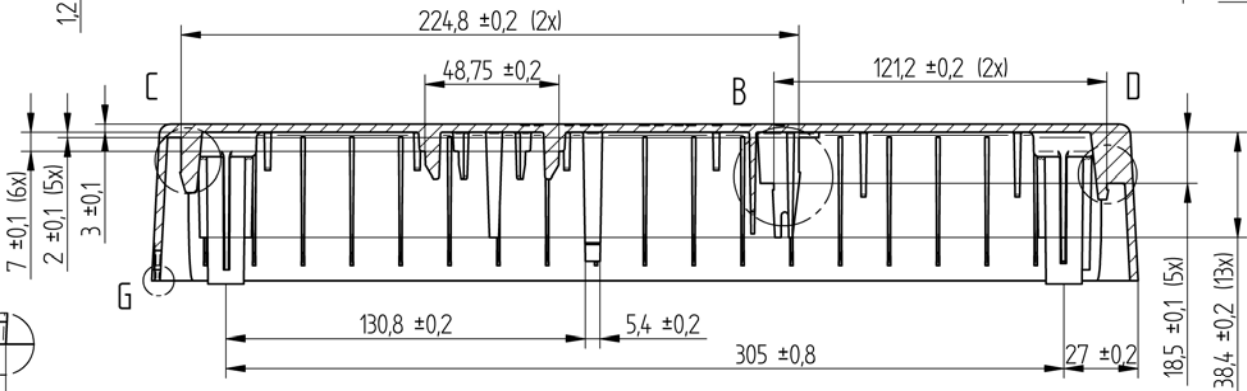
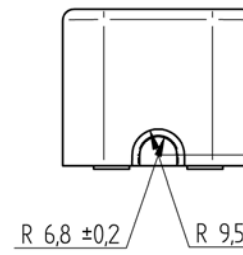
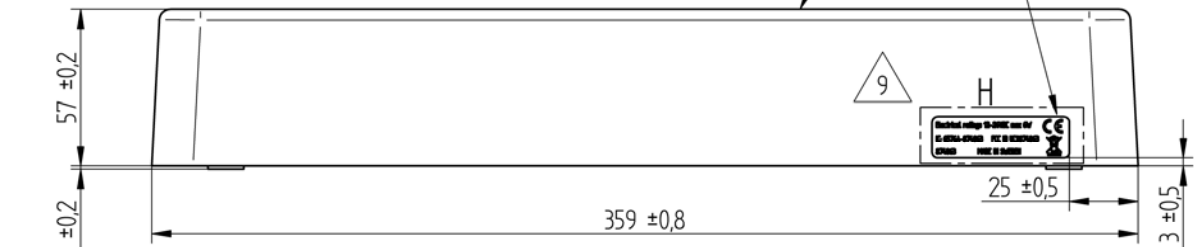
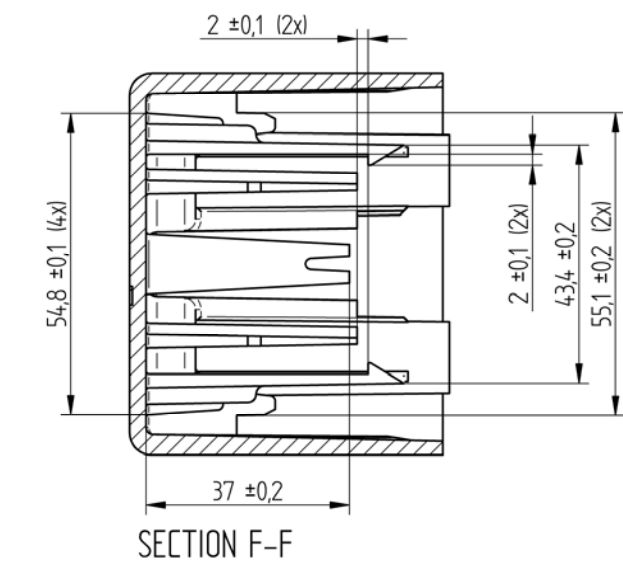
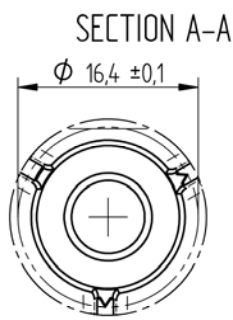
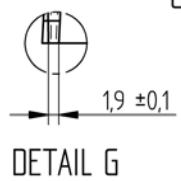


Marking acc. to drawing 988889
 Article number marking ALT:2 X=3
 Date marking ALT:1b φ=6
 Suppliers marking X=3
 Marking of thermoplastic articles X=3



Outside surfaces: Electric spark machined Ra 3,15 - Ra 5
 No gates or ejector marks on outside surfaces
 Gate residues max 10 mm over surrounding surface
 Height of burrs max 0,2
 Dim without tolerances H13, h13 resp, js13
 Model has interpretation priority concerning geometries without dimensions



875272 01	EXP	CASE IPR	AL 113 2301-30	C504-M
Article No.	Name/Designation		Material (final condition) Blank	Colour
Title CASE IPR				
First angle projection Method ISO E			Scale	Dept. MEM
			Date 2014-03-06	Sheet No. 1
			Class No.	No. of sheets 1
			Drawn KM	Revision No.
			Checked LLI	Document No. 875272
			Appr.	

Rev. No.	Date	Revised	Checked	Appr.
9	2016-09-28	JOST		HEI

IC: 6576A-874863 was IC6576A-874863

CAD

Cadmodel: 126218745.9

